

**TERMINAL BLOCKS**  
PRICE LIST 2026-27



# Making A Million Connections Everyday

A story of  
**billions** of  
electrical  
connections  
made over  
**4 decades**

From very humble beginnings to becoming one of the leading manufacturers of Terminal Blocks in the world, Connectwell is a dynamic organization focused on making the highest quality electro-mechanical and electronic products.

15+ international product certifications backed by the most stringent quality standards put our products through 40+ quality tests. This has ensured a ready acceptance of our products across 80+ countries and in thousands of projects and applications.

With world class manufacturing infrastructure and systems which are ISO certified, Connectwell today has become a synonym for

... The Right Connection

# VISION

We will build a brand that puts people at the center of it's business.



For our employees we will create an environment which inspires them to achieve higher goals.



For our customers we will provide products which bring them the right value.



For the society at large we will create meaningful employment and will support those in need.

# MISSION

Connectwell is dedicated to achieve customer satisfaction by, supplying the Right Product, at the Right Time and at the Right Cost.

## connectwell TODAY

1 M+

Connections Made Everyday

45+ Yrs.

Delighting Customers

15+

Global Product Approvals

40+

Quality Tests

80+

Countries Serviced

300+

Channel Partners

# OUR STRENGTHS

From product conceptualization to realization, we are well equipped with the latest software and high precision machinery to meet the requirements of our customers. Some of these strengths are:



Precision High Volume Plastic Moulding

High Speed Sheet Metal Processing

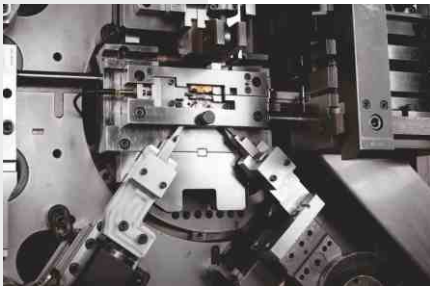
Precision Electronic Manufacturing

High Volume Automated Assembly

Electro-mechanical and Electronic Product Design

Tool Design and Development

Highly Automated Supply Chain Management



## QUALITY as a way of life



**International Product Approvals**

IEC, UL, CSA, VDE, CCC



**Industry Specific Approvals**

ATEX, IECEx, AEX, EAC, INMETRO

**QMS**

**System**

ISO9001:2015



**Environmental Consciousness**

ISO14001:2015



**Work Place Safety**

ISO45001:2018



**UL Accredited Laboratory**

Enable rapid and consistent product testing



**Enterprise Class Software**

SAP, Dynamics, Team Center



**Operational Excellence**

TPM, Lean Six Sigma

# SOLUTIONS ACROSS INDUSTRIES

Our customers range from the largest to smallest enterprises across a variety of industries.

Here are some interesting case studies.



Connection Solutions for Telangana Super Thermal Power Project

Power



Dust Proof Interfacing Solutions for Cement Industry

Continuous Process



Smart Electrical Connections for a World Class Machine Builder

Machinery & Factory Automation



Connectwell Solutions for a Global HVAC Leader

Building Infrastructure



READ MORE  
CASE STUDIES  
HERE



Electrical Connection Solutions for Challenging Railway Requirements

Railways



## PRESENT Where & When YOU NEED US

### VIRTUAL

Product Configuration

Our Visual Solution Configurator allows you to create custom solutions for your needs in minutes.

### <<< WIDE >>>

Network of Distributors

Our dealers across India and the world, ensure the availability of our products and mitigate any supply chain hindrances.

**100+** Sales & Product Support Personnel

Our skilled Sales and Marketing Team, backed by Product Experts, is here to guide you to the right solution for your needs.

Present in **80+** Countries

No Matter where your business takes you, you will find Connectwell present to help you with products and solutions



Self Service Portal

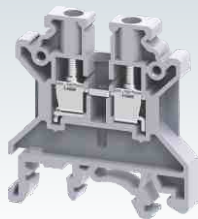
Our Self Service Portal enables you with the correct information on the status of your orders and more.



Wire Range : 0.2 - 2.5 mm<sup>2</sup>  
 Current (A) : 24 A  
 Voltage (V) : 1000 V  
 Dimensions Width (Thickness) x Length : 5 x 43 mm  
 Height with Din 35 x 7.5 mm Rail : 46.2 mm



	Part #	Description	Std. Pack	MOQ	UOM	List Price in	Group
TERMINAL BLOCK	CTS2.5UN	2.5 mm <sup>2</sup> FEED THRU SCREW CLAMP TB	100	100	EA	12.00	B
	CTS2.5UNBU	2.5 mm <sup>2</sup> FEED THRU SCREW CLAMP TB BLUE	100	100	EA	13.30	B
	CTS2.5UNBK	2.5 mm <sup>2</sup> FEED THRU SCREW CLAMP TB BLACK	100	100	EA	13.30	B
	CTS2.5UNR	2.5 mm <sup>2</sup> FEED THRU SCREW CLAMP TB RED	100	100	EA	13.30	B
	CTS2.5UNY	2.5 mm <sup>2</sup> FEED THRU SCREW CLAMP TB YELLOW	100	100	EA	13.30	B
	CTS2.5UNGN	2.5 mm <sup>2</sup> FEED THRU SCREW CLAMP TB GREEN	100	100	EA	13.30	B
ACCESSORIES	EP2.5/4UN	END PLATE FOR CTS2.5UN/4UN	50	50	EA	7.80	B
	PP2.5/4UN	PARTITION PLATE FOR CTS2.5UN/4UN/2.5UE	50	50	EA	15.30	B
	SP2.5/4UN	SEPARATOR PLATE FOR CTS2.5UN/4UN	100	100	EA	5.90	B
	CA721/2	2P PRE ASSEMBLED SHRT LNK FR 5mm WIDE TB	100	100	EA	19.40	B
	CA721/3	3P PRE ASSEMBLED SHRT LNK FR 5mm WIDE TB	100	100	EA	29.00	B
	CA721/4	4P PRE ASSEMBLED SHRT LNK FR 5mm WIDE TB	100	100	EA	38.70	B
	CA721/10	10P PRE ASSEM SHRT LINK FOR 5mm WIDE TB	10	10	EA	95.40	B
	JT2.5/2	2 WAY SHRT LINK ASSLY FOR CTS2.5UN	100	100	EA	18.90	B
	JT2.5/3	3 WAY SHRT LINK ASSLY FOR CTS2.5UN	100	100	EA	28.10	B
	JT2.5/4	4 WAY SHRT LINK ASSLY FOR CTS2.5UN	100	100	EA	37.50	B
	JT2.5/10	10 WAY SHRT LINK ASSLY FOR CTS2.5UN	10	10	EA	93.40	B
	MC5	MARKER CARD 5 MM PITCH WITH 84 TAGS	1	1	PKT	1,014.50	B
	MC5WP	PRNTD MARKER CARD 5 MM PITCH 84 TAGS	1	1	PKT	1,174.70	B

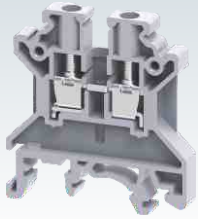


Wire Range : 0.2 - 4.0 mm<sup>2</sup>  
 Current (A) : 30 A  
 Voltage (V) : 1000 V  
 Dimensions Width (Thickness) x Length : 6 x 43 mm  
 Height with Din 35 x 7.5 mm Rail : 46.2 mm




	Part #	Description	Std. Pack	MOQ	UOM	List Price in	Group
TERMINAL BLOCK	CTS2.5UE	2.5 mm <sup>2</sup> FD THRU SCRW CLMP TERMINAL BLOCK	100	100	EA	14.60	B
	CTS2.5UEBU	2.5 mm <sup>2</sup> FEED THRU SCREW CLAMP TB BLUE	100	100	EA	16.10	B
	CTS2.5UEBK	2.5 mm <sup>2</sup> FEED THRU SCREW CLAMP TB BLACK	100	100	EA	16.10	B
	CTS2.5UER	2.5 mm <sup>2</sup> FEED THRU SCREW CLAMP TB RED	100	100	EA	16.10	B
	CTS2.5UEY	2.5 mm <sup>2</sup> FEED THRU SCREW CLAMP TB YELLOW	100	100	EA	16.10	B
	CTS2.5UEGN	2.5 mm <sup>2</sup> FEED THRU SCREW CLAMP TB GREEN	100	100	EA	16.10	B
ACCESSORIES	EP2.5/4UN	END PLATE FOR CTS2.5UN/4UN	50	50	EA	7.80	B
	PP2.5/4UN	PARTITION PLATE FOR CTS2.5UN/4UN/2.5UE	50	50	EA	15.30	B
	SP2.5/4UN	SEPARATOR PLATE FOR CTS2.5UN/4UN	100	100	EA	5.90	B
	CA722/2	2P PRE ASSEMBLED SHRT LNK FR 6mm WIDE TB	100	100	EA	20.60	B
	CA722/3	3P PRE ASSEMBLED SHRT LNK FR 6mm WIDE TB	100	100	EA	30.20	B
	CA722/4	4P PRE ASSEMBLED SHRT LNK FR 6mm WIDE TB	100	100	EA	39.90	B
	CA722/10	10P PRE ASSEM SHORT LINK FOR 6mm WIDE TB	10	10	EA	99.10	B
	JT4/2	2 WAY SHRT LINK ASSLY FOR CTS4UN	100	100	EA	19.40	B
	JT4/3	3 WAY SHRT LINK ASSLY FOR CTS4UN	100	100	EA	29.00	B
	JT4/4	4 WAY SHRT LINK ASSLY FOR CTS4UN	100	100	EA	39.30	B
	JT4/10	10 WAY SHRT LINK ASSLY FOR CTS4UN	10	10	EA	96.60	B
	MC6	MARKER CARD 6 MM PITCH WITH 72 TAGS	1	1	PKT	866.80	B
	MC6WP	PRNTD MARKER CARD 6 MM PITCH 72 TAGS	1	1	PKT	1,000.80	B

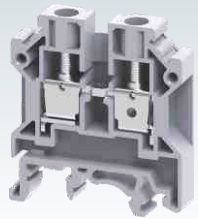
## CTS SERIES STANDARD SCREW CLAMP TERMINAL BLOCKS




**Wire Range** : 0.2 - 4.0 mm<sup>2</sup>  
**Current (A)** : 32 A  
**Voltage (V)** : 1000 V  
**Dimensions Width (Thickness) x Length** : 6 x 43 mm  
**Height with Din 35 x 7.5 mm Rail** : 46.2 mm



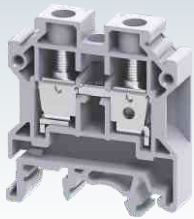
	Part #	Description	Std. Pack	MOQ	UOM	List Price in	Group
TERMINAL BLOCK	CTS4UN	4 mm <sup>2</sup> FD THRU SCREW CLMP TERMINAL BLOCK	100	100	EA	14.80	B
	CTS4UNBU	4 mm <sup>2</sup> FEED THRU SCREW CLAMP TB BLUE	100	100	EA	16.40	B
	CTS4UNBK	4 mm <sup>2</sup> FEED THRU SCREW CLAMP TB BLACK	100	100	EA	16.40	B
	CTS4UNR	4 mm <sup>2</sup> FEED THRU SCREW CLAMP TB RED	100	100	EA	16.40	B
	CTS4UNY	4 mm <sup>2</sup> FEED THRU SCREW CLAMP TB YELLOW	100	100	EA	16.40	B
	CTS4UNGN	4 mm <sup>2</sup> FEED THRU SCREW CLAMP TB GREEN	100	100	EA	16.40	B
ACCESSORIES	EP2.5/4UN	END PLATE FOR CTS2.5UN/4UN	50	50	EA	7.80	B
	PP2.5/4UN	PARTITION PLATE FOR CTS2.5UN/4UN/2.5UE	50	50	EA	15.30	B
	SP2.5/4UN	SEPARATOR PLATE FOR CTS2.5UN/4UN	100	100	EA	5.90	B
	CA722/2	2P PRE ASSEMBLED SHRT LNK FR 6mm WIDE TB	100	100	EA	20.60	B
	CA722/3	3P PRE ASSEMBLED SHRT LNK FR 6mm WIDE TB	100	100	EA	30.20	B
	CA722/4	4P PRE ASSEMBLED SHRT LNK FR 6mm WIDE TB	100	100	EA	39.90	B
	CA722/10	10P PRE ASSEM SHORT LINK FOR 6mm WIDE TB	10	10	EA	99.10	B
	JT4/2	2 WAY SHRT LINK ASSLY FOR CTS4UN	100	100	EA	19.40	B
	JT4/3	3 WAY SHRT LINK ASSLY FOR CTS4UN	100	100	EA	29.00	B
	JT4/4	4 WAY SHRT LINK ASSLY FOR CTS4UN	100	100	EA	39.30	B
	JT4/10	10 WAY SHRT LINK ASSLY FOR CTS4UN	10	10	EA	96.60	B
	MC6	MARKER CARD 6 MM PITCH WITH 72 TAGS	1	1	PKT	866.80	B
	MC6WP	PRNTD MARKER CARD 6 MM PITCH 72 TAGS	1	1	PKT	1,000.80	B



**Wire Range** : 0.5 - 6.0 mm<sup>2</sup>  
**Current (A)** : 41 A  
**Voltage (V)** : 1000 V  
**Dimensions Width (Thickness) x Length** : 8 x 43 mm  
**Height with Din 35 x 7.5 mm Rail** : 47.8 mm



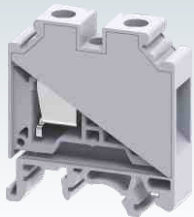
	Part #	Description	Std. Pack	MOQ	UOM	List Price in	Group
TERMINAL BLOCK	CTS6U	6 mm <sup>2</sup> FEED THRU SCREW CLAMP TB	100	100	EA	21.20	B
	CTS6UBU	6 mm <sup>2</sup> FEED THRU SCREW CLAMP TB BLUE	100	100	EA	23.40	B
	CTS6UBK	6 mm <sup>2</sup> FEED THRU SCREW CLAMP TB BLACK	100	100	EA	23.40	B
	CTS6UR	6 mm <sup>2</sup> FEED THRU SCREW CLAMP TB RED	100	100	EA	23.40	B
	CTS6UY	6 mm <sup>2</sup> FEED THRU SCREW CLAMP TB YELLOW	100	100	EA	23.40	B
	CTS6UGN	6 mm <sup>2</sup> FEED THRU SCREW CLAMP TB GREEN	100	100	EA	23.40	B
ACCESSORIES	EP6/10U	END PLATE FOR CTS6U/10U	50	50	EA	8.50	B
	PP6/10U	PARTITION PLATE FOR CTS6U/10U	50	50	EA	18.90	B
	SP6/10U	SEPARATOR PLATE FOR CTS6U/10U/16U	100	100	EA	5.90	B
	CA723/2	2P PRE ASSEM SHRT LINK FOR 8mm WIDE TB	100	300	EA	23.00	B
	CA723/3	3P PRE ASSEM SHRT LINK FOR 8mm WIDE TB	50	150	EA	34.70	B
	CA723/4	4P PRE ASSEM SHRT LINK FOR 8mm WIDE TB	50	150	EA	46.20	B
	CA723/10	10P PRE ASSEM SHRT LINK FOR 8mm WIDE TB	10	30	EA	114.80	B
	CA743/2	2P INS PREASSEM SHRT LINK FR 8mm WIDE TB	10	10	EA	38.80	B
	CA743/3	3P INS PREASSEM SHRT LINK FR 8mm WIDE TB	100	100	EA	58.40	B
	CA743/4	4P INS PREASSEM SHRT LINK FR 8mm WIDE TB	50	50	EA	77.80	B
	CA743/10	10P INS PREASSEM SHRT LINK FR8mm WIDE TB	50	50	EA	194.20	B
	MC8	MARKER CARD 8 MM PITCH WITH 48 TAGS	1	1	PKT	660.60	B
	MC8WP	PRNTD MARKER CARD 8 MM PITCH 48 TAGS	1	1	PKT	767.40	B



Wire Range : 0.5 - 10.0 mm<sup>2</sup>  
 Current (A) : 57 A  
 Voltage (V) : 1000 V  
 Dimensions Width (Thickness) x Length : 10 x 43 mm  
 Height with Din 35 x 7.5 mm Rail : 47.8 mm



	Part #	Description	Std. Pack	MOQ	UOM	List Price in	Group
TERMINAL BLOCK	CTS10U	10 mm <sup>2</sup> FD THRU SCREW CLMP TERMINAL BLOCK	100	100	EA	26.80	B
	CTS10UBU	10 mm <sup>2</sup> FEED THRU SCREW CLAMP TB BLUE	100	100	EA	29.50	B
	CTS10UBK	10 mm <sup>2</sup> FEED THRU SCREW CLAMP TB BLACK	100	100	EA	29.50	B
	CTS10UR	10 mm <sup>2</sup> FEED THRU SCREW CLAMP TB RED	100	100	EA	29.50	B
	CTS10UY	10 mm <sup>2</sup> FEED THRU SCREW CLAMP TB YELLOW	100	100	EA	29.50	B
	CTS10UGN	10 mm <sup>2</sup> FEED THRU SCREW CLAMP TB GREEN	100	100	EA	29.50	B
ACCESSORIES	EP6/10U	END PLATE FOR CTS6U/10U	50	50	EA	8.50	B
	PP6/10U	PARTITION PLATE FOR CTS6U/10U	50	50	EA	18.90	B
	SP6/10U	SEPARATOR PLATE FOR CTS6U/10U/16U	100	100	EA	5.90	B
	CA724/2	2P PRE ASSEM SHRT LINK FOR 10mm WIDE TB	100	300	EA	24.90	B
	CA724/3	3P PRE ASSEM SHRT LINK FOR 10mm WIDE TB	50	150	EA	37.50	B
	CA724/4	4P PRE ASSEM SHRT LINK FOR 10mm WIDE TB	50	100	EA	50.00	B
	CA724/10	10P PRE ASSEM SHRT LINK FOR 10mm WIDE TB	10	30	EA	124.40	B
	CA744/2	2P INS PREASSEM SHRT LINK FR10mm WIDE TB	100	100	EA	40.50	B
	CA744/3	3P INS PREASSEM SHRT LINK FR10mm WIDE TB	50	50	EA	60.80	B
	CA744/4	4P INS PREASSEM SHRT LINK FR10mm WIDE TB	50	50	EA	81.10	B
	CA744/10	10P INS PREASSEM SHRT LNK FR10mm WIDE TB	10	10	EA	202.20	B
	MC10	MARKER CARD 10 MM PITCH WITH 42 TAGS	1	1	PKT	633.30	B
	MC10WP	PRNTD MARKER CARD 10 MM PITCH 42 TAGS	1	1	PKT	735.10	B

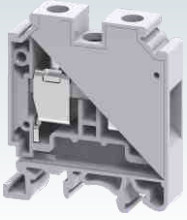


Wire Range : 0.2 - 16.0mm<sup>2</sup>  
 Current (A) : 76 A  
 Voltage (V) : 1000 V  
 Dimensions Width (Thickness) x Length : 12 x 43 mm  
 Height with Din 35 x 7.5 mm Rail : 47.8 mm



	Part #	Description	Std. Pack	MOQ	UOM	List Price in	Group
TERMINAL BLOCK	CTS16U	16 mm <sup>2</sup> FD THRU SCREW CLMP TERMINAL BLOCK	50	50	EA	48.50	B
	CTS16UBU	16 mm <sup>2</sup> FEED THRU SCREW CLAMP TB BLUE	50	50	EA	53.40	B
	CTS16UBK	16 mm <sup>2</sup> FEED THRU SCREW CLAMP TB BLACK	50	50	EA	53.40	B
	CTS16UR	16 mm <sup>2</sup> FEED THRU SCREW CLAMP TB RED	50	50	EA	53.40	B
	CTS16UY	16 mm <sup>2</sup> FEED THRU SCREW CLAMP TB YELLOW	50	50	EA	53.40	B
	CTS16UGN	16 mm <sup>2</sup> FEED THRU SCREW CLAMP TB GREEN	50	50	EA	53.40	B
ACCESSORIES	SP6/10U	SEPARATOR PLATE FOR CTS6U/10U/16U	100	100	EA	5.90	B
	CA751/2	2P PRE ASSEM SHRT LINK FOR 12mm WIDE TB	50	50	EA	27.50	B
	CA751/3	3P PRE ASSEM SHRT LINK FOR 12mm WIDE TB	50	50	EA	41.10	B
	CA751/4	4P PRE ASSEM SHRT LINK FOR 12mm WIDE TB	50	50	EA	54.60	B
	CA751/10	10P PRE ASSEM SHRT LINK FOR 12mm WIDE TB	10	10	EA	136.10	B
	CA761/2	2P INS PREASSEM SHRT LINK FR12mm WIDE TB	50	50	EA	55.10	B
	CA761/3	3P INS PREASSEM SHRT LINK FR12mm WIDE TB	50	50	EA	82.40	B
	CA761/4	4P INS PREASSEM SHRT LINK FR12mm WIDE TB	50	50	EA	109.60	B
	CA761/10	10P INS PREASSEM SHRT LNK FR12mm WIDE TB	10	10	EA	274.00	B
	MC12	MARKER CARD 12 MM PITCH WITH 36 TAGS	1	1	PKT	651.90	B
MC12WP	PRNTD MARKER CARD 12 MM PITCH 36 TAGS	1	1	PKT	747.60	B	

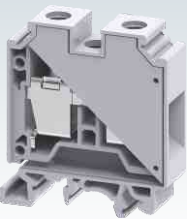
## CTS SERIES STANDARD SCREW CLAMP TERMINAL BLOCKS



Wire Range : 4.0 - 25.0 mm<sup>2</sup>  
 Current (A) : 101 A  
 Voltage (V) : 1000 V  
 Dimensions Width  
 (Thickness) x Length : 12 x 48 mm  
 Height with  
 Din 35 x 7.5 mm Rail : 57.2 mm



	Part #	Description	Std. Pack	MOQ	UOM	List Price in	Group
TERMINAL BLOCK	CTS25UN	25 mm <sup>2</sup> FD THRU SCRW CLAMP TERMINAL BLOCK	50	50	EA	80.90	B
	CTS25UNBU	25 mm <sup>2</sup> FEED THRU SCREW CLAMP TB BLUE	50	50	EA	89.00	B
	CTS25UNBK	25 mm <sup>2</sup> FEED THRU SCREW CLAMP TB BLACK	50	50	EA	89.00	B
	CTS25UNR	25 mm <sup>2</sup> FEED THRU SCREW CLAMP TB RED	50	50	EA	89.00	B
	CTS25UNY	25 mm <sup>2</sup> FEED THRU SCREW CLAMP TB YELLOW	50	50	EA	89.00	B
	CTS25UNGN	25 mm <sup>2</sup> FEED THRU SCREW CLAMP TB GREEN	50	50	EA	89.00	B
ACCESSORIES	PP25UN	PARTITION PLATE FOR CTS25UN	50	50	EA	20.40	B
	CA725/2	2P PRE ASSEM SHRT LINK FOR 12mm WIDE TB	50	50	EA	30.50	B
	CA725/3	3P PRE ASSEM SHRT LINK FOR 12mm WIDE TB	20	100	EA	45.70	B
	CA725/4	4P PRE ASSEM SHRT LINK FOR 12mm WIDE TB	20	100	EA	60.80	B
	CA725/10	10P PRE ASSEM SHRT LINK FOR 12mm WIDE TB	10	20	EA	151.60	B
	CA745/2	2P INS PREASSEM SHRT LINK FR12mm WIDE TB	100	100	EA	55.10	B
	CA745/3	3P INS PREASSEM SHRT LINK FR12mm WIDE TB	50	50	EA	82.40	B
	CA745/4	4P INS PREASSEM SHRT LINK FR12mm WIDE TB	50	50	EA	109.60	B
	CA745/10	10P INS PREASSEM SHRT LNK FR12mm WIDE TB	10	10	EA	274.00	B
	MC12	MARKER CARD 12 MM PITCH WITH 36 TAGS	1	1	PKT	651.90	B
	MC12WP	PRNTD MARKER CARD 12 MM PITCH 36 TAGS	1	1	PKT	747.60	B



Wire Range : 4.0 - 35.0 mm<sup>2</sup>  
 Current (A) : 125 A  
 Voltage (V) : 1000 V  
 Dimensions Width  
 (Thickness) x Length : 16 x 50.5 mm  
 Height with  
 Din 35 x 7.5 mm Rail : 59.2 mm



	Part #	Description	Std. Pack	MOQ	UOM	List Price in	Group
TERMINAL BLOCK	CTS35UN	35 mm <sup>2</sup> FD THRU SCREW CLMP TERMINAL BLOCK	50	50	EA	114.50	B
	CTS35UNBU	35 mm <sup>2</sup> FEED THRU SCREW CLAMP TB BLUE	50	100	EA	126.00	B
	CTS35UNBK	35 mm <sup>2</sup> FEED THRU SCREW CLAMP TB BLACK	50	100	EA	126.00	B
	CTS35UNR	35 mm <sup>2</sup> FEED THRU SCREW CLAMP TB RED	50	100	EA	126.00	B
	CTS35UNY	35 mm <sup>2</sup> FEED THRU SCREW CLAMP TB YELLOW	50	100	EA	126.00	B
	CTS35UNGN	35 mm <sup>2</sup> FEED THRU SCREW CLAMP GREEN	50	100	EA	126.00	B
ACCESSORIES	PP35UN	PARTITION PLATE FOR CTS35UN	50	50	EA	22.60	B
	CA771/2	2P PRE ASSEM SHRT LINK FR 16mm WIDE TB	50	50	EA	32.50	B
	CA771/3	3P PRE ASSEM SHRT LINK FR 16mm WIDE TB	20	20	EA	48.70	B
	CA771/4	4P PRE ASSEM SHRT LINK FR 16mm WIDE TB	20	20	EA	64.90	B
	CA771/10	10P PRE ASSEM SHRT LNK FR 16mm WIDE TB	10	10	EA	162.10	B
	CA781/2	2P INS PREASSEM SHRT LINK FR16mm WIDE TB	50	100	EA	55.10	B
	CA781/3	3P INS PREASSEM SHRT LINK FR16mm WIDE TB	20	40	EA	82.40	B
	CA781/10	10P INS PREASSEM SHRT LNK FR16mm WIDE TB	10	20	EA	274.00	B
	MC16	MARKER CARD 16 MM PITCH WITH 24 TAGS	1	1	PKT	515.30	B
	MC16WP	PRNTD MARKER CARD 16 MM PITCH 24 TAGS	1	1	PKT	602.30	B



Wire Range : 10.0 - 70.0 mm<sup>2</sup>  
 Current (A) : 192 A  
 Voltage (V) : 1000 V  
 Dimensions Width (Thickness) x Length : 20.5 x 77 mm  
 Height with Din 35 x 7.5 mm Rail : 71.1 mm



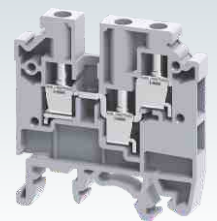
	Part #	Description	Std. Pack	MOQ	UOM	List Price in	Group
TERMINAL BLOCK	CTS50/70N	70 mm <sup>2</sup> FEED THRU SCREW CLAMP TERMINAL	20	20	EA	319.30	B
	CTS50/70NBU	70 mm <sup>2</sup> FEED THRU SCREW CLAMP TB BLUE	20	40	EA	351.30	B
	CTS50/70NBK	70 mm <sup>2</sup> FEED THRU SCREW CLAMP TB BLACK	20	40	EA	351.30	B
	CTS50/70NR	70 mm <sup>2</sup> FEED THRU SCREW CLAMP TB RED	20	40	EA	351.30	B
	CTS50/70NY	70 mm <sup>2</sup> FEED THRU SCREW CLAMP TB YELLOW	20	40	EA	351.30	B
	CTS50/70NGN	70 mm <sup>2</sup> FEED THRU SCREW CLAMP TB GREEN	20	40	EA	351.30	B
ACCESSORIES	AUX6	6 mm <sup>2</sup> AUX TB FOR CTS50/70N & CTS95/120N	10	100	EA	58.90	B
	CA628/2	2 POLE SHORTING LNK SET FOR CTS50/70N	10	20	EA	124.40	B
	CA628/3	3 POLE SHORTING LNK SET FOR CTS50/70N	10	20	EA	186.60	B
	MC16	MARKER CARD 16 MM PITCH WITH 24 TAGS	1	1	PKT	515.30	B
	MC16WP	PRNTD MARKER CARD 16 MM PITCH 24 TAGS	1	1	PKT	602.30	B



Wire Range : 25.0 - 120.0 mm<sup>2</sup>  
 Current (A) : 269 A  
 Voltage (V) : 1000 V  
 Dimensions Width (Thickness) x Length : 27 x 85 mm  
 Height with Din 35 x 7.5 mm Rail : 83 mm



	Part #	Description	Std. Pack	MOQ	UOM	List Price in	Group
TERMINAL BLOCK	CTS95/120N	120 mm <sup>2</sup> FEED THRU SCREW CLAMP TB	10	10	EA	531.30	B
	CTS95/120NBU	120 mm <sup>2</sup> FEED THRU SCREW CLAMP TB BLUE	10	20	EA	584.50	B
	CTS95/120NBK	120 mm <sup>2</sup> FEED THRU SCREW CLAMP TB BLACK	10	20	EA	584.50	B
	CTS95/120NR	120 mm <sup>2</sup> FEED THRU SCREW CLAMP TB RED	10	20	EA	584.50	B
	CTS95/120NY	120 mm <sup>2</sup> FEED THRU SCREW CLAMP TB YELLOW	10	20	EA	584.50	B
ACCESSORIES	AUX6	6 mm <sup>2</sup> AUX TB FOR CTS50/70N & CTS95/120N	10	100	EA	58.90	B
	CA629/2	2 POLE SHORTING LNK SET FOR CTS95/120N	10	20	EA	163.20	B
	CA629/3	3 POLE SHORTING LNK SET FOR CTS95/120N	10	20	EA	244.60	B
	MC16	MARKER CARD 16 MM PITCH WITH 24 TAGS	1	1	PKT	515.30	B
	MC16WP	PRNTD MARKER CARD 16 MM PITCH 24 TAGS	1	1	PKT	602.30	B

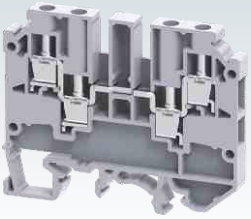


Wire Range : 0.2 - 4.0 mm<sup>2</sup>  
 Current (A) : 32 A  
 Voltage (V) : 630 V  
 Dimensions Width (Thickness) x Length : 6 x 65 mm  
 Height with Din 35 x 7.5 mm Rail : 49.5 mm






	Part #	Description	Std. Pack	MOQ	UOM	List Price in	Group
TERMINAL BLOCK	CMC1-2	4 mm <sup>2</sup> MULTI CONNECTION 3 WIRE TERMINAL	100	100	EA	33.80	B
	CMC1-2BU	4 mm <sup>2</sup> MULTI CONNECTION 3 WIRE TB BLUE	100	500	EA	37.20	B
	CMC1-2R	4 mm <sup>2</sup> MULTI CONNECTION 3 WIRE TB RED	100	500	EA	37.20	B
	EPCMC1-2	END PLATE FOR CMC1-2	50	50	EA	14.80	B
ACCESSORIES	JT4/2	2 WAY SHRT LINK ASSLY FOR CTS4UN	100	100	EA	19.40	B
	JT4/3	3 WAY SHRT LINK ASSLY FOR CTS4UN	100	100	EA	29.00	B
	JT4/4	4 WAY SHRT LINK ASSLY FOR CTS4UN	100	100	EA	39.30	B
	JT4/10	10 WAY SHRT LINK ASSLY FOR CTS4UN	10	10	EA	96.60	B
	MC6	MARKER CARD 6 MM PITCH WITH 72 TAGS	1	1	PKT	866.80	B
	MC6WP	PRNTD MARKER CARD 6 MM PITCH 72 TAGS	1	1	PKT	1,000.80	B


## CTS SERIES STANDARD SCREW CLAMP TERMINAL BLOCKS



Wire Range : 0.2 - 4.0 mm<sup>2</sup>  
 Dimensions Width (Thickness) x Length : 6 x 65 mm  
 Height with Din 35 x 7.5 mm Rail : 53.4 mm

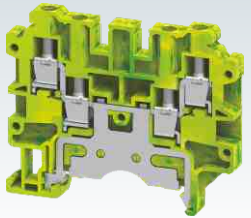



















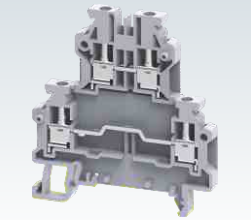
	Part #	Description	Std. Pack	MOQ	UOM	List Price in	Group
TERMINAL BLOCK	CMC2-2	4 mm <sup>2</sup> MULTI CONNECTION 4 WIRE TERMINAL	50	50	EA	46.20	B
	CMC2-2BU	4 mm <sup>2</sup> MULTI CONNECTION 4 WIRE TB BLUE	50	250	EA	50.90	B
	CMC2-2BK	4 mm <sup>2</sup> MULTI CONNECTION 4 WIRE TB BLACK	50	250	EA	50.90	B
	CMC2-2R	4 mm <sup>2</sup> MULTI CONNECTION 4 WIRE TB RED	50	250	EA	50.90	B
	CMC2-2Y	4 mm <sup>2</sup> MULTI CONNECTION 4 WIRE TB YELLOW	50	250	EA	50.90	B
	CMC2-2GN	4 mm <sup>2</sup> MULTI CONNECTION 4 WIRE TB GREEN	50	250	EA	50.90	B
ACCESSORIES	EPCMC2-2	END PLATE FOR CMC2-2	50	50	EA	19.90	B
	JT4/2	2 WAY SHRT LINK ASSLY FOR CTS4UN	100	100	EA	19.40	B
	JT4/3	3 WAY SHRT LINK ASSLY FOR CTS4UN	100	100	EA	29.00	B
	JT4/4	4 WAY SHRT LINK ASSLY FOR CTS4UN	100	100	EA	39.30	B
	JT4/10	10 WAY SHRT LINK ASSLY FOR CTS4UN	10	10	EA	96.60	B
	MC6	MARKER CARD 6 MM PITCH WITH 72 TAGS	1	1	PKT	866.80	B
	MC6WP	PRNTD MARKER CARD 6 MM PITCH 72 TAGS	1	1	PKT	1,000.80	B







Wire Range : 0.2 - 4.0 mm<sup>2</sup>  
 Dimensions Width (Thickness) x Length : 6 x 65 mm  
 Height with Din 35 x 7.5 mm Rail : 53.7 mm

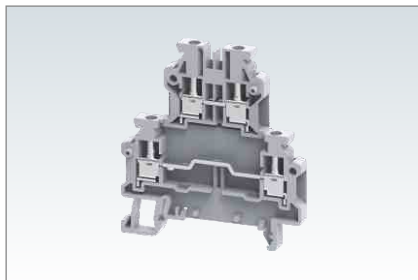
	Part #	Description	Std. Pack	MOQ	UOM	List Price in	Group
TERMINAL BLOCK	CMCG4	4 mm <sup>2</sup> MULTI CONNECTION 4 WIRE GROUND TB	50	50	EA	176.40	B
ACCESSORIES	EPCKT4U/4	END PLATE FOR CKT4U/4	50	50	EA	19.90	B
	MC6	MARKER CARD 6 MM PITCH WITH 72 TAGS	1	1	PKT	866.80	B
	MC6WP	PRNTD MARKER CARD 6 MM PITCH 72 TAGS	1	1	PKT	1,000.80	B



Wire Range : 0.2 - 2.5 mm<sup>2</sup>  
 Current (A) : 24 A  
 Voltage (V) : 800 V  
 Dimensions Width (Thickness) x Length : 5 x 59 mm  
 Height with Din 35 x 7.5 mm Rail : 61 mm

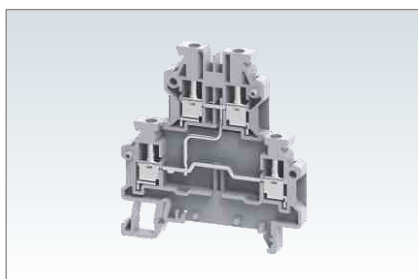
	Part #	Description	Std. Pack	MOQ	UOM	List Price in	Group
TERMINAL BLOCK	ODL2.5A	2.5 mm <sup>2</sup> MODULAR OFFSET 2 LVL SW CL TB	50	100	EA	41.10	B
	ODL2.5	2.5 mm <sup>2</sup> OFFSET 2 LVL SW CL TB	50	50	EA	42.30	B
ACCESSORIES	EPODL2.5	END PLATE FOR ODL2.5	50	50	EA	19.30	B
	EP1ODL2.5	SPACER PLATE FOR ODL2.5	50	50	EA	7.80	B
	JX2.5/2	2 POLE SHRT LNK FR 5MM WIDE SP CL TB	100	100	EA	13.30	A
	JX2.5/3	3 POLE SHRT LNK FR 5MM WIDE SP CL TB	50	50	EA	23.00	A
	JX2.5/4	4 POLE SHRT LNK FR 5MM WIDE SP CL TB	50	50	EA	39.40	A
	JX2.5/5	5 POLE SHRT LNK FR 5MM WIDE SP CL TB	50	50	EA	58.80	A
	JX2.5/6	6 POLE SHRT LNK FR 5MM WIDE SP CL TB	10	20	EA	72.60	A
	JX2.5/7	7 POLE SHRT LNK FR 5MM WIDE SP CL TB	10	20	EA	78.40	A
	JX2.5/8	8 POLE SHRT LNK FR 5MM WIDE SP CL TB	10	20	EA	88.30	A
	JX2.5/10	10 POLE SHRT LNK FR 5MM WIDE SP CL TB	10	10	EA	102.00	A
	MC5	MARKER CARD 5 MM PITCH WITH 84 TAGS	1	1	PKT	1,014.50	B
MC5WP	PRNTD MARKER CARD 5 MM PITCH 84 TAGS	1	1	PKT	1,174.70	B	



Wire Range : 0.2 - 2.5 mm<sup>2</sup>  
 Current (A) : 24 A  
 Voltage (V) : 800 V  
 Dimensions Width (Thickness) x Length : 5 x 59 mm  
 Height with Din 35 x 7.5 mm Rail : 61 mm



	Part #	Description	Std. Pack	MOQ	UOM	List Price in	Group
TERMINAL BLOCK	ODL2.5A(I.S)	2.5mm <sup>2</sup> MODULR OFFSET 2L INT SHRT SWCL TB	50	100	EA	52.70	B
	ODL2.5(I.S)	2.5mm <sup>2</sup> 2 LVL OFFSET INT SHRT SW CL TB	50	100	EA	56.50	B
ACCESSORIES	EPODL2.5	END PLATE FOR ODL2.5	50	50	EA	19.30	B
	EP1ODL2.5	SPACER PLATE FOR ODL2.5	50	50	EA	7.80	B
	JX2.5/2	2 POLE SHRT LNK FR 5MM WIDE SP CL TB	100	100	EA	13.30	A
	JX2.5/3	3 POLE SHRT LNK FR 5MM WIDE SP CL TB	50	50	EA	23.00	A
	JX2.5/4	4 POLE SHRT LNK FR 5MM WIDE SP CL TB	50	50	EA	39.40	A
	JX2.5/5	5 POLE SHRT LNK FR 5MM WIDE SP CL TB	50	50	EA	58.80	A
	JX2.5/6	6 POLE SHRT LNK FR 5MM WIDE SP CL TB	10	20	EA	72.60	A
	JX2.5/7	7 POLE SHRT LNK FR 5MM WIDE SP CL TB	10	20	EA	78.40	A
	JX2.5/8	8 POLE SHRT LNK FR 5MM WIDE SP CL TB	10	20	EA	88.30	A
	JX2.5/10	10 POLE SHRT LNK FR 5MM WIDE SP CL TB	10	10	EA	102.00	A
	MC5	MARKER CARD 5 MM PITCH WITH 84 TAGS	1	1	PKT	1,014.50	B
MC5WP	PRNTD MARKER CARD 5 MM PITCH 84 TAGS	1	1	PKT	1,174.70	B	

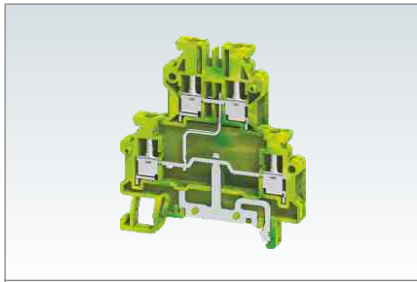


Wire Range : 0.2 - 2.5 mm<sup>2</sup>  
 Current (A) : 24 A  
 Voltage (V) : 800 V  
 Dimensions Width (Thickness) x Length : 5 x 59 mm  
 Height with Din 35 x 7.5 mm Rail : 61 mm



	Part #	Description	Std. Pack	MOQ	UOM	List Price in	Group
TERMINAL BLOCK	ODLG2.5A	2.5mm <sup>2</sup> MODULAR OFFSET 2 LVL GND SW CL TB	50	100	EA	139.20	B
	ODLG2.5	2.5mm <sup>2</sup> 2 LVL OFFSET GND SW CL TB	50	50	EA	148.10	B
ACCESSORIES	EPODL2.5	END PLATE FOR ODL2.5	50	50	EA	19.30	B
	EP1ODL2.5	SPACER PLATE FOR ODL2.5	50	50	EA	7.80	B
	JX2.5/2	2 POLE SHRT LNK FR 5MM WIDE SP CL TB	100	100	EA	13.30	A
	JX2.5/3	3 POLE SHRT LNK FR 5MM WIDE SP CL TB	50	50	EA	23.00	A
	JX2.5/4	4 POLE SHRT LNK FR 5MM WIDE SP CL TB	50	50	EA	39.40	A
	JX2.5/5	5 POLE SHRT LNK FR 5MM WIDE SP CL TB	50	50	EA	58.80	A
	JX2.5/6	6 POLE SHRT LNK FR 5MM WIDE SP CL TB	10	20	EA	72.60	A
	JX2.5/7	7 POLE SHRT LNK FR 5MM WIDE SP CL TB	10	20	EA	78.40	A
	JX2.5/8	8 POLE SHRT LNK FR 5MM WIDE SP CL TB	10	20	EA	88.30	A
	JX2.5/10	10 POLE SHRT LNK FR 5MM WIDE SP CL TB	10	10	EA	102.00	A
	MC5	MARKER CARD 5 MM PITCH WITH 84 TAGS	1	1	PKT	1,014.50	B
MC5WP	PRNTD MARKER CARD 5 MM PITCH 84 TAGS	1	1	PKT	1,174.70	B	

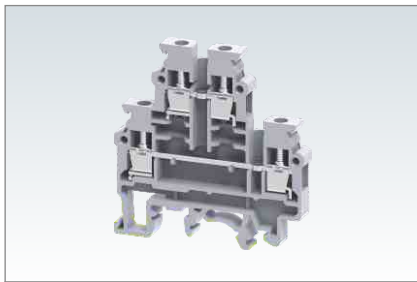
## CTS SERIES STANDARD SCREW CLAMP TERMINAL BLOCKS



Wire Range : 0.2 - 2.5 mm<sup>2</sup>  
 Dimensions Width (Thickness) x Length : 5 x 59 mm  
 Height with Din 35 x 7.5 mm Rail : 61 mm



	Part #	Description	Std. Pack	MOQ	UOM	List Price in	Group
TERMINAL BLOCK	ODLG2.5A(I.S)	2.5mm <sup>2</sup> MODULAR OFFSET 2L INT SHRT GND TB	50	50	EA	160.40	B
	ODLG2.5(I.S)	2.5mm <sup>2</sup> OFFSET 2L INT SHRT GND SW CL TB	50	50	EA	156.70	B
ACCESSORIES	EPODL2.5	END PLATE FOR ODL2.5	50	50	EA	19.30	B
	EP1ODL2.5	SPACER PLATE FOR ODL2.5	50	50	EA	7.80	B
	JX2.5/2	2 POLE SHRT LNK FR 5MM WIDE SP CL TB	100	100	EA	13.30	A
	JX2.5/3	3 POLE SHRT LNK FR 5MM WIDE SP CL TB	50	50	EA	23.00	A
	JX2.5/4	4 POLE SHRT LNK FR 5MM WIDE SP CL TB	50	50	EA	39.40	A
	JX2.5/5	5 POLE SHRT LNK FR 5MM WIDE SP CL TB	50	50	EA	58.80	A
	JX2.5/6	6 POLE SHRT LNK FR 5MM WIDE SP CL TB	10	20	EA	72.60	A
	JX2.5/7	7 POLE SHRT LNK FR 5MM WIDE SP CL TB	10	20	EA	78.40	A
	JX2.5/8	8 POLE SHRT LNK FR 5MM WIDE SP CL TB	10	20	EA	88.30	A
	JX2.5/10	10 POLE SHRT LNK FR 5MM WIDE SP CL TB	10	10	EA	102.00	A
	MC5	MARKER CARD 5 MM PITCH WITH 84 TAGS	1	1	PKT	1,014.50	B
MC5WP	PRNTD MARKER CARD 5 MM PITCH 84 TAGS	1	1	PKT	1,174.70	B	



Wire Range : 0.2 - 4.0 mm<sup>2</sup>  
 Current (A) : 32 A  
 Voltage (V) : 800 V  
 Dimensions Width (Thickness) x Length : 6 x 57 mm  
 Height with Din 35 x 7.5 mm Rail : 59.5 mm



	Part #	Description	Std. Pack	MOQ	UOM	List Price in	Group
TERMINAL BLOCK	CDL4UN	4 mm <sup>2</sup> 2 LEVEL SCREW CLAMP TERMINAL BLOCK	100	100	EA	38.10	B
	CDL4UNBU	4 mm <sup>2</sup> 2 LVL SCRW CLMP TERMINAL BLOCK BLU	100	200	EA	42.00	B
	CDL4UNBK	4 mm <sup>2</sup> 2 LVL SCRW CLMP TERMINAL BLOCK BLK	100	200	EA	42.00	B
	CDL4UNR	4 mm <sup>2</sup> 2 LVL SCRW CLMP TERMINAL BLOCK RED	100	200	EA	42.00	B
	CDL4UNY	4 mm <sup>2</sup> 2 LVL SCRW CLMP TERMINAL BLOCK YLW	100	200	EA	42.00	B
	CDL4UNGN	4 mm <sup>2</sup> 2 LVL SCRW CLMP TERMINAL BLOCK GRN	100	200	EA	42.00	B
ACCESSORIES	EPCDL4UN	END PLATE FOR CDL4UN	50	50	EA	14.50	B
	SPCDL4U	SEP PLT FR CDL4U GRY	100	100	EA	6.00	B
	JT4/2	2 WAY SHRT LINK ASSLY FOR CTS4UN	100	100	EA	19.40	B
	JT4/3	3 WAY SHRT LINK ASSLY FOR CTS4UN	100	100	EA	29.00	B
	JT4/4	4 WAY SHRT LINK ASSLY FOR CTS4UN	100	100	EA	39.30	B
	JT4/10	10 WAY SHRT LINK ASSLY FOR CTS4UN	10	10	EA	96.60	B
	MC6	MARKER CARD 6 MM PITCH WITH 72 TAGS	1	1	PKT	866.80	B
	MC6WP	PRNTD MARKER CARD 6 MM PITCH 72 TAGS	1	1	PKT	1,000.80	B



Wire Range : 0.2 - 4.0 mm<sup>2</sup>  
 Current (A) : 32 A  
 Voltage (V) : 800 V  
 Dimensions Width (Thickness) x Length : 6 x 68 mm  
 Height with Din 35 x 7.5 mm Rail : 65 mm



	Part #	Description	Std. Pack	MOQ	UOM	List Price in	Group
TERMINAL BLOCK	ODL4U	4 mm <sup>2</sup> FEED THRU OFFSET 2 LEVEL SW CL TB	50	50	EA	42.20	B
	ODL4UBU	4 mm <sup>2</sup> FEED THRU OFFSET 2LVL SW CL TB BLU	50	100	EA	46.50	B
ACCESSORIES	EPODL4U	END PLATE FOR ODL4U(FS)	50	50	EA	22.70	B
	EP1ODL4U	END PLATE FOR ODL4U	50	50	EA	9.20	B
	CA727/2	2P PRE ASSEM SHRT LINK FOR 6mm WIDE TB	100	100	EA	18.90	B
	CA727/3	3P PRE ASSEM SHRT LINK FOR 6mm WIDE TB	100	200	EA	28.10	B
	CA727/4	4P PRE ASSEM SHRT LINK FOR 6mm WIDE TB	100	200	EA	37.50	B
	CA727/10	10P PRE ASSEM SHRT LINK FOR 6mm WIDE TB	10	10	EA	93.40	B
	CA747/2	2P INS PREASSEM SHRT LINK FR 6mm WIDE TB	100	100	EA	37.00	B
	CA747/3	3P INS PREASSEM SHRT LINK FR 6mm WIDE TB	100	100	EA	55.50	B
	CA747/4	4P INS PREASSEM SHRT LINK FR 6mm WIDE TB	100	100	EA	73.90	B
	CA747/10	10P INS PREASSEM SHRT LINK FR6mm WIDE TB	10	10	EA	184.70	B
	MC6	MARKER CARD 6 MM PITCH WITH 72 TAGS	1	1	PKT	866.80	B
MC6WP	PRNTD MARKER CARD 6 MM PITCH 72 TAGS	1	1	PKT	1,000.80	B	

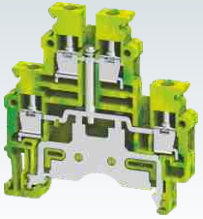


Wire Range : 0.2 - 4.0 mm<sup>2</sup>  
 Dimensions Width (Thickness) x Length : 6 x 57 mm  
 Height with Din 35 x 7.5 mm Rail : 59.5 mm




	Part #	Description	Std. Pack	MOQ	UOM	List Price in	Group
TERMINAL BLOCK	CDL4UN(I.S)	4 mm <sup>2</sup> 2 LEVEL SCREW CLAMP INT SHORTED TB	100	100	EA	50.80	B
	CDL4UN(I.S)BU	4 mm <sup>2</sup> 2 LEVEL SCRW CLMP INT SHRTD TB BLU	100	200	EA	55.90	B
	CDL4UN(I.S)BK	4 mm <sup>2</sup> 2 LEVEL SCRW CLMP INT SHRTD TB BLK	100	200	EA	55.90	B
	CDL4UN(I.S)R	4 mm <sup>2</sup> 2 LEVEL SCRW CLMP INT SHRTD TB RED	100	200	EA	55.90	B
	CDL4UN(I.S)Y	4 mm <sup>2</sup> 2 LEVEL SCRW CLMP INT SHRTD TB YLW	100	200	EA	55.90	B
	CDL4UN(I.S)GN	4 mm <sup>2</sup> 2 LEVEL SCRW CLMP INT SHRTD TB GRN	100	200	EA	55.90	B
ACCESSORIES	EPCDL4UN	END PLATE FOR CDL4UN	50	50	EA	14.50	B
	SPCDL4U	SEP PLT FR CDL4U GRY	100	100	EA	6.00	B
	JT4/2	2 WAY SHRT LINK ASSLY FOR CTS4UN	100	100	EA	19.40	B
	JT4/3	3 WAY SHRT LINK ASSLY FOR CTS4UN	100	100	EA	29.00	B
	JT4/4	4 WAY SHRT LINK ASSLY FOR CTS4UN	100	100	EA	39.30	B
	JT4/10	10 WAY SHRT LINK ASSLY FOR CTS4UN	10	10	EA	96.60	B
	MC6	MARKER CARD 6 MM PITCH WITH 72 TAGS	1	1	PKT	866.80	B
	MC6WP	PRNTD MARKER CARD 6 MM PITCH 72 TAGS	1	1	PKT	1,000.80	B

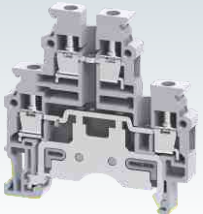
## CTS SERIES STANDARD SCREW CLAMP TERMINAL BLOCKS




Wire Range : 0.2 - 4.0 mm<sup>2</sup>  
 Dimensions Width (Thickness) x Length : 6 x 57 mm  
 Height with Din 35 x 7.5 mm Rail : 59.5 mm



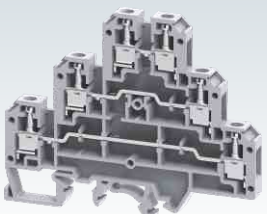
	Part #	Description	Std. Pack	MOQ	UOM	List Price in	Group
TERMINAL BLOCK	CDLG4(I.S)	4 mm <sup>2</sup> 2 LEVEL SCREW CLAMP GROUND TB	100	100	EA	168.80	B
ACCESSORIES	EPCDL4UN	END PLATE FOR CDL4UN	50	50	EA	14.50	B
	SPCDL4U	SEP PLT FR CDL4U GRY	100	100	EA	6.00	B
	JT4/2	2 WAY SHRT LINK ASSLY FOR CTS4UN	100	100	EA	19.40	B
	JT4/3	3 WAY SHRT LINK ASSLY FOR CTS4UN	100	100	EA	29.00	B
	JT4/4	4 WAY SHRT LINK ASSLY FOR CTS4UN	100	100	EA	39.30	B
	JT4/10	10 WAY SHRT LINK ASSLY FOR CTS4UN	10	10	EA	96.60	B
	MC6	MARKER CARD 6 MM PITCH WITH 72 TAGS	1	1	PKT	866.80	B
MC6WP	PRNTD MARKER CARD 6 MM PITCH 72 TAGS	1	1	PKT	1,000.80	B	




Wire Range : 0.2 - 4.0 mm<sup>2</sup>  
 Dimensions Width (Thickness) x Length : 6 x 57 mm  
 Height with Din 35 x 7.5 mm Rail : 59.5 mm



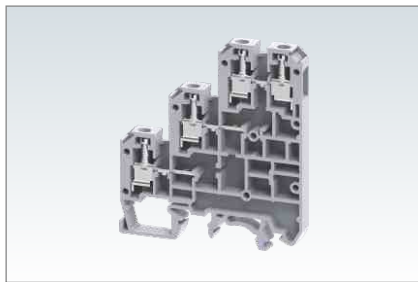
	Part #	Description	Std. Pack	MOQ	UOM	List Price in	Group
TERMINAL BLOCK	CDLG4	4 mm <sup>2</sup> FEED THRU + GROUND SCREW CLAMP TB	100	100	EA	165.90	B
ACCESSORIES	EPCDL4UN	END PLATE FOR CDL4UN	50	50	EA	14.50	B
	SPCDL4U	SEP PLT FR CDL4U GRY	100	100	EA	6.00	B
	JT4/2	2 WAY SHRT LINK ASSLY FOR CTS4UN	100	100	EA	19.40	B
	JT4/3	3 WAY SHRT LINK ASSLY FOR CTS4UN	100	100	EA	29.00	B
	JT4/4	4 WAY SHRT LINK ASSLY FOR CTS4UN	100	100	EA	39.30	B
	JT4/10	10 WAY SHRT LINK ASSLY FOR CTS4UN	10	10	EA	96.60	B
	MC6	MARKER CARD 6 MM PITCH WITH 72 TAGS	1	1	PKT	866.80	B
MC6WP	PRNTD MARKER CARD 6 MM PITCH 72 TAGS	1	1	PKT	1,000.80	B	



Wire Range : 0.2 - 2.5 mm<sup>2</sup>  
 Current (A) : 24 A  
 Voltage (V) : 500 V  
 Dimensions Width (Thickness) x Length : 6 x 84 mm  
 Height with Din 35 x 7.5 mm Rail : 68 mm



	Part #	Description	Std. Pack	MOQ	UOM	List Price in	Group
TERMINAL BLOCK	CTL2.5U	2.5 mm <sup>2</sup> 3 LEVEL SCRW CLMP TERMINAL BLOCK	50	50	EA	106.20	B
	CTL2.5UBU	2.5 mm <sup>2</sup> 3 LEVEL SCREW CLAMP TB BLUE	50	100	EA	116.90	B
	CTL2.5UBK	2.5 mm <sup>2</sup> 3 LEVEL SCREW CLAMP TB BLACK	50	100	EA	116.90	B
	CTL2.5UGN	2.5 mm <sup>2</sup> 3 LEVEL SCREW CLAMP TB GREEN	50	100	EA	116.90	B
ACCESSORIES	EPCTL2.5U	END PLATE FOR CTL2.5U	50	50	EA	19.90	B
	JT4/2	2 WAY SHRT LINK ASSLY FOR CTS4UN	100	100	EA	19.40	B
	JT4/3	3 WAY SHRT LINK ASSLY FOR CTS4UN	100	100	EA	29.00	B
	JT4/4	4 WAY SHRT LINK ASSLY FOR CTS4UN	100	100	EA	39.30	B
	JT4/10	10 WAY SHRT LINK ASSLY FOR CTS4UN	10	10	EA	96.60	B
	MC6	MARKER CARD 6 MM PITCH WITH 72 TAGS	1	1	PKT	866.80	B
	MC6WP	PRNTD MARKER CARD 6 MM PITCH 72 TAGS	1	1	PKT	1,000.80	B



Wire Range : 0.2 - 2.5 mm<sup>2</sup>  
 Current (A) : 24 A  
 Voltage (V) : 500 V  
 Dimensions Width (Thickness) x Length : 6 x 60.7 mm  
 Height with Din 35 x 7.5 mm Rail : 68 mm



	Part #	Description	Std. Pack	MOQ	UOM	List Price in	Group
TERMINAL BLOCK	CTL2.5UH	2.5 mm <sup>2</sup> 3 LEVEL 4 WIRE SCREW CLAMP TB	50	50	EA	60.90	B
ACCESSORIES	EPCTL2.5UH	END PLATE FOR CTL2.5UH	50	50	EA	14.80	B
	JT4/2	2 WAY SHRT LINK ASSLY FOR CTS4UN	100	100	EA	19.40	B
	JT4/3	3 WAY SHRT LINK ASSLY FOR CTS4UN	100	100	EA	29.00	B
	JT4/4	4 WAY SHRT LINK ASSLY FOR CTS4UN	100	100	EA	39.30	B
	JT4/10	10 WAY SHRT LINK ASSLY FOR CTS4UN	10	10	EA	96.60	B
	MC2	MARKER CARD 6 MM PITCH WITH 72 TAGS	1	1	PKT	866.80	B
	MC2WP	PRNTD MARKER CARD 6 MM PITCH 72 TAGS	1	1	PKT	1,000.80	B



Wire Range : 0.2 - 2.5 mm<sup>2</sup>  
 Dimensions Width (Thickness) x Length : 5 x 45.7 mm  
 Height with Din 35 x 7.5 mm Rail : 45.8 mm



	Part #	Description	Std. Pack	MOQ	UOM	List Price in	Group
TERMINAL BLOCK	CTSG2.5	2.5MM <sup>2</sup> SCR CLM GROUND TB FR DIN35/7.5&15	50	50	EA	101.90	B
ACCESSORIES	EPG2.5/4	END PLATE FOR CTSG2.5; CTSG4 GRN	50	50	EA	7.80	B
	MC5	MARKER CARD 5 MM PITCH WITH 84 TAGS	1	1	PKT	1,014.50	B
	MC5WP	PRNTD MARKER CARD 5 MM PITCH 84 TAGS	1	1	PKT	1,174.70	B




Wire Range : 0.2 - 4.0 mm<sup>2</sup>  
 Dimensions Width (Thickness) x Length : 6 x 45.7 mm  
 Height with Din 35 x 7.5 mm Rail : 45.8 mm




	Part #	Description	Std. Pack	MOQ	UOM	List Price in	Group
TERMINAL BLOCK	CTSG4	4MM <sup>2</sup> SCRW CLMP GROUND TB FR DIN35/7.5&15	50	50	EA	104.00	B
ACCESSORIES	MC6	MARKER CARD 6 MM PITCH WITH 72 TAGS	1	1	PKT	866.80	B
	EPG2.5/4	END PLATE FOR CTSG2.5; CTSG4 GRN	50	50	EA	7.80	B
	MC6WP	PRNTD MARKER CARD 6 MM PITCH 72 TAGS	1	1	PKT	1,000.80	B

## CTS SERIES STANDARD SCREW CLAMP TERMINAL BLOCKS



Wire Range : 0.2 - 6.0 mm<sup>2</sup>  
 Dimensions Width (Thickness) x Length : 8 x 55 mm  
 Height with Din 35 x 7.5 mm Rail : 48.2 mm



	Part #	Description	Std. Pack	MOQ	UOM	List Price in	Group
TERMINAL BLOCK	CGT6N	6 mm <sup>2</sup> SCREW CLAMP GROUND TERMINAL BLOCK	50	50	EA	121.30	B
ACCESSORIES	MC8	MARKER CARD 8 MM PITCH WITH 48 TAGS	1	1	PKT	660.60	B
	MC8WP	PRNTD MARKER CARD 8 MM PITCH 48 TAGS	1	1	PKT	767.40	B



Wire Range : 0.2 - 10.0 mm<sup>2</sup>  
 Dimensions Width (Thickness) x Length : 10 x 55 mm  
 Height with Din 35 x 7.5 mm Rail : 48.5 mm



	Part #	Description	Std. Pack	MOQ	UOM	List Price in	Group
TERMINAL BLOCK	CGT10N	10 mm <sup>2</sup> SCREW CLAMP GROUND TERMINAL BLOCK	50	50	EA	141.50	B
ACCESSORIES	MC10	MARKER CARD 10 MM PITCH WITH 42 TAGS	1	1	PKT	633.30	B
	MC10WP	PRNTD MARKER CARD 10 MM PITCH 42 TAGS	1	1	PKT	735.10	B



Wire Range : 2.5 - 16.0 mm<sup>2</sup>  
 Dimensions Width (Thickness) x Length : 12 x 55 mm  
 Height with Din 35 x 7.5 mm Rail : 48.5 mm



	Part #	Description	Std. Pack	MOQ	UOM	List Price in	Group
TERMINAL BLOCK	CGT16N	16 mm <sup>2</sup> SCREW CLAMP GROUND TERMINAL BLOCK	50	50	EA	168.00	B
ACCESSORIES	MC12	MARKER CARD 12 MM PITCH WITH 36 TAGS	1	1	PKT	651.90	B
	MC12WP	PRNTD MARKER CARD 12 MM PITCH 36 TAGS	1	1	PKT	747.60	B



Wire Range : 4 - 35 mm<sup>2</sup>  
 Dimensions Width (Thickness) x Length : 16 x 58 mm  
 Height with Din 35 x 7.5 mm Rail : 63.2 mm



	Part #	Description	Std. Pack	MOQ	UOM	List Price in	Group
TERMINAL BLOCK	CGT35U	35 mm <sup>2</sup> SW CL GROUND TB FR DIN 32/35 RAIL	20	20	EA	364.80	B
ACCESSORIES	MC16	MARKER CARD 16 MM PITCH WITH 24 TAGS	1	1	PKT	515.25	B
	MC16WP	PRNTD MARKER CARD 16 MM PITCH 24 TAGS	1	1	PKT	602.22	B



Wire Range : 10.0 - 70.0 mm<sup>2</sup>  
 Dimensions Width (Thickness) x Length : 20 x 77 mm  
 Height with Din 35 x 7.5 mm Rail : 71.1 mm



	Part #	Description	Std. Pack	MOQ	UOM	List Price in	Group
TERMINAL BLOCK	CGT50/70N	70 mm <sup>2</sup> SCREW CLAMP GROUND TERMINAL BLK	20	20	EA	875.10	B
ACCESSORIES	MC16	MARKER CARD 16 MM PITCH WITH 24 TAGS	1	1	PKT	515.25	B
	MC16WP	PRNTD MARKER CARD 16 MM PITCH 24 TAGS	1	1	PKT	602.22	B

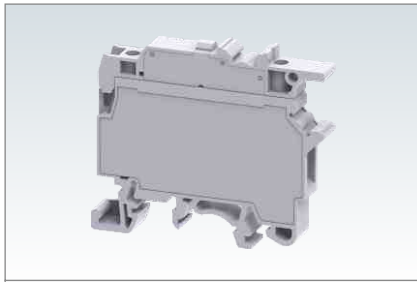


Wire Range : 0.2 - 4.0 mm<sup>2</sup>  
 Dimensions Width (Thickness) x Length : 6 x 27 mm  
 Height with Din 15 mm Rail : 30.7 mm



	Part #	Description	Std. Pack	MOQ	UOM	List Price in	Group
TERMINAL BLOCK	CGMT4	4 mm <sup>2</sup> SCREW CLMP GROUND TB FR DIN15 RAIL	100	100	EA	67.70	B
ACCESSORIES	MC2	MARKER CARD 6 MM PITCH WITH 72 TAGS	1	1	PKT	866.71	B
	MC2WP	PRNTD MARKER CARD 6 MM PITCH 72 TAGS	1	1	PKT	1,000.81	B

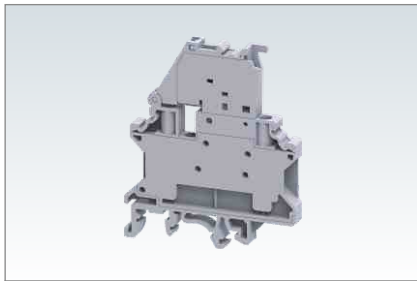
## CTS SERIES STANDARD SCREW CLAMP TERMINAL BLOCKS



Wire Range : 0.2 - 4.0 mm<sup>2</sup>  
 Current (A) : 6.3 A  
 Voltage (V) : 800 V  
 Dimensions Width  
 (Thickness) x Length : 8 x 58.5 mm  
 Height with  
 Din 35 x 7.5 mm Rail : 50.3 mm



	Part #	Description	Std. Pack	MOQ	UOM	List Price in	Group
TERMINAL BLOCK	CF4U	4mm <sup>2</sup> Ø5X20mm FUSE SCREW CLAMP TERMINAL	100	100	EA	52.00	B
	CF4UBU	4mm <sup>2</sup> Ø5X20mm SCREW CLAMP FUSE TB BLUE	100	200	EA	57.06	B
	CF4UBK	4mm <sup>2</sup> Ø5X20mm SCREW CLAMP FUSE TB BLACK	100	200	EA	57.06	B
ACCESSORIES	MC8	MARKER CARD 8 MM PITCH WITH 48 TAGS	1	1	PKT	660.54	B
	MC8WP	PRNTD MARKER CARD 8 MM PITCH 48 TAGS	1	1	PKT	767.38	B
	MC6	MARKER CARD 6 MM PITCH WITH 72 TAGS	1	1	PKT	866.71	B
	MC6WP	PRNTD MARKER CARD 6 MM PITCH 72 TAGS	1	1	PKT	1,000.81	B



Wire Range : 0.2 - 4.0 mm<sup>2</sup>  
 Current (A) : 6.3 A  
 Voltage (V) : 800 V  
 Dimensions Width  
 (Thickness) x Length : 8 x 58.5 mm  
 Height with  
 Din 35 x 7.5 mm Rail : 50.3 mm



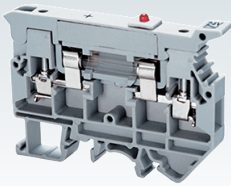
	Part #	Description	Std. Pack	MOQ	UOM	List Price in	Group
TERMINAL BLOCK	CF4UL6-60V	4mm <sup>2</sup> Ø5X20mm SCREW CLAMP FUSE TB 6-60V	100	100	EA	77.73	B
	CF4UL6-60VBU	4mm <sup>2</sup> Ø5X20mm SCREW CL FUSE TB 6-60V BLU	100	200	EA	90.44	B
	CF4UL110-240V	4mm <sup>2</sup> Ø5X20mm SW CL FUSE TB 110-240V	100	100	EA	77.73	B
ACCESSORIES	MC8	MARKER CARD 8 MM PITCH WITH 48 TAGS	1	1	PKT	660.54	B
	MC8WP	PRNTD MARKER CARD 8 MM PITCH 48 TAGS	1	1	PKT	767.38	B
	MC6	MARKER CARD 6 MM PITCH WITH 72 TAGS	1	1	PKT	866.71	B
	MC6WP	PRNTD MARKER CARD 6 MM PITCH 72 TAGS	1	1	PKT	1,000.81	B



Wire Range : 0.2 - 4.0 mm<sup>2</sup>  
 Current (A) : 6.3 A  
 Voltage (V) : 1000 V  
 Dimensions Width  
 (Thickness) x Length : 9 x 76 mm  
 Height with  
 Din 35 x 7.5 mm Rail : 55.3 mm



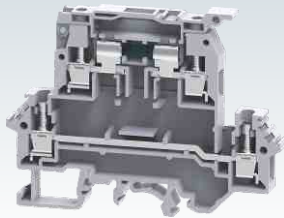
	Part #	Description	Std. Pack	MOQ	UOM	List Price in	Group
TERMINAL BLOCK	CAFL4U	4mm <sup>2</sup> Ø6X32mm 6.3A FUSE SCRW CL TERMINAL	25	50	EA	109.49	B
	CAFL4UW/F	4mm <sup>2</sup> Ø6X32mm FUSE SCREW CLAMP TERMINAL	25	25	EA	98.52	B
ACCESSORIES	EPCAFL4U	END PLATE FOR CAFL4U	50	50	EA	15.82	B
	MC9	MARKER CARD 9 MM PITCH WITH 42 TAGS	1	1	PKT	633.29	B
	MC9WP	PRNTD MARKER CARD 9 MM PITCH 42 TAGS	1	1	PKT	735.04	B



Wire Range : 0.2 - 4.0 mm<sup>2</sup>  
 Current (A) : 6.3 A / 32 A  
 Voltage (V) : 800 V  
 Dimensions Width (Thickness) x Length : 8 x 88 mm  
 Height with Din 35 x 7.5 mm Rail : 67.4 mm



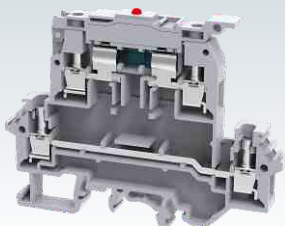
	Part #	Description	Std. Pack	MOQ	UOM	List Price in	Group
TERMINAL BLOCK	CAFL4UL24V	4mm <sup>2</sup> Ø6X32mm 6.3A FUSE SCRW CLMP TB 24V	25	25	EA	142.50	B
ACCESSORIES	EPCAFL4U	END PLATE FOR CAFL4U	50	50	EA	15.82	B
	MC9	MARKER CARD 9 MM PITCH WITH 42 TAGS	1	1	PKT	633.29	B
	MC9WP	PRNTD MARKER CARD 9 MM PITCH 42 TAGS	1	1	PKT	735.04	B



Wire Range : 0.2 - 4.0 mm<sup>2</sup>  
 Current (A) : 6.3 A / 32 A  
 Voltage (V) : 800 V  
 Dimensions Width (Thickness) x Length : 8 x 87.6 mm  
 Height with Din 35 x 7.5 mm Rail : 67 mm



	Part #	Description	Std. Pack	MOQ	UOM	List Price in	Group
TERMINAL BLOCK	DDFL4U	4 mm <sup>2</sup> 2 LEVEL Ø5X20mm 6.3A SW CL FUSE TB	20	20	EA	146.10	B
	DDFL4UBU	4 mm <sup>2</sup> 2 LVL Ø5X20mm 6.3A SW CL FUSE BLU	20	40	EA	160.55	B
	DDFL4UBK	4 mm <sup>2</sup> 2 LVL Ø5X20mm 6.3A SW CL FUSE BLK	20	40	EA	160.55	B
	DDFL4UW/F	4 mm <sup>2</sup> 2 LEVEL Ø5X20mm SCREW CL FUSE TB	20	20	EA	137.40	B
ACCESSORIES	EPDDL4U	END PLATE FOR DDFL4U	50	50	EA	19.98	B
	MC8	MARKER CARD 8 MM PITCH WITH 48 TAGS	1	1	PKT	660.54	B
	MC8WP	PRNTD MARKER CARD 8 MM PITCH 48 TAGS	1	1	PKT	767.38	B
	MC2	MARKER CARD 6 MM PITCH WITH 72 TAGS	1	1	PKT	866.71	B
	MC2WP	PRNTD MARKER CARD 6 MM PITCH 72 TAGS	1	1	PKT	1,000.81	B




Wire Range : 0.2 - 4.0 mm<sup>2</sup>  
 Current (A) : 6.3 A / 32 A  
 Voltage (V) : 800 V  
 Dimensions Width (Thickness) x Length : 8 x 87.6 mm  
 Height with Din 35 x 7.5 mm Rail : 67 mm



	Part #	Description	Std. Pack	MOQ	UOM	List Price in	Group
TERMINAL BLOCK	DDFL4UE110-240V	4 mm <sup>2</sup> 2 LVL Ø5X20mm 6.3A FUSE 110-240V	20	40	EA	176.48	B
	DDFL4UE220V	4 mm <sup>2</sup> 2 LVL Ø5X20mm 6.3A SW CL FUSE 220V	20	40	EA	180.87	B
	DDFL4UE220VW/F	4 mm <sup>2</sup> 2 LVL Ø5X20mm SCREW CL FUSE 220V	20	40	EA	171.86	B
	DDFL4UE24V	4 mm <sup>2</sup> 2 LVL Ø5X20mm 6.3A SW CL FUSE 24V	20	40	EA	180.87	B
	DDFL4UE24VW/F	4 mm <sup>2</sup> 2 LVL Ø5X20mm SCREW CL FUSE 24V	20	20	EA	171.86	B
	DDFL4UE6-60V	4 mm <sup>2</sup> 2 LVL Ø5X20mm 6.3A SW CL FUS 6-60V	20	40	EA	176.48	B
ACCESSORIES	EPDDL4U	END PLATE FOR DDFL4U	50	50	EA	19.98	B
	MC8	MARKER CARD 8 MM PITCH WITH 48 TAGS	1	1	PKT	660.54	B
	MC8WP	PRNTD MARKER CARD 8 MM PITCH 48 TAGS	1	1	PKT	767.38	B
	MC2	MARKER CARD 6 MM PITCH WITH 72 TAGS	1	1	PKT	866.71	B
	MC2WP	PRNTD MARKER CARD 6 MM PITCH 72 TAGS	1	1	PKT	1,000.81	B

## CTS SERIES STANDARD SCREW CLAMP TERMINAL BLOCKS



**Wire Range** : 0.2 - 4.0 mm<sup>2</sup>  
**Current (A)** : 28 A  
**Voltage (V)** : 800 V  
**Dimensions Width (Thickness) x Length** : 6 x 46 mm  
**Height with Din 35 x 7.5 mm Rail** : 47.2 mm



	Part #	Description	Std. Pack	MOQ	UOM	List Price in	Group
TERMINAL BLOCK	CKT4U	4 mm <sup>2</sup> KNIFE DISCON TEST SOCKET SW CL TB	50	50	EA	57.80	B
	CKT4UBU	4 MM <sup>2</sup> KNIFE DISCON TEST SOC SW CL TB BLU	50	250	EA	63.58	B
	CKT4U/S	4 mm <sup>2</sup> KNIFE DISCON SLOTTED SCREW CL TB	50	50	EA	52.20	B
ACCESSORIES	EPCKT4U	END PLATE FOR CKT4U	50	50	EA	13.05	B
	MC6	MARKER CARD 6 MM PITCH WITH 72 TAGS	1	1	PKT	866.71	B
	MC6WP	PRNTD MARKER CARD 6 MM PITCH 72 TAGS	1	1	PKT	1,000.81	B



**Wire Range** : 0.2 - 4.0 mm<sup>2</sup>  
**Current (A)** : 17.5 A  
**Voltage (V)** : 800 V  
**Dimensions Width (Thickness) x Length** : 6 x 65 mm  
**Height with Din 35 x 7.5 mm Rail** : 54.3 mm



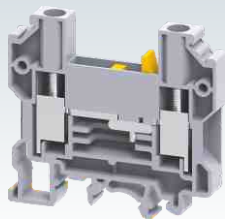
	Part #	Description	Std. Pack	MOQ	UOM	List Price in	Group
TERMINAL BLOCK	CKT4U/4	4 mm <sup>2</sup> 4 WIRE KNIFE DISCON SCREW CL TB	50	50	EA	98.00	B
ACCESSORIES	EPCKT4U/4	END PLATE FOR CKT4U/4	50	50	EA	19.87	B
	CA714/2	2P INS EXT SHORTING LINK FOR 6mm WIDE TB	100	100	EA	27.41	B
	CA714/3	3P INS EXT SHORTING LINK FOR 6mm WIDE TB	100	100	EA	41.06	B
	CA714/4	4P INS EXT SHORTING LINK FOR 6mm WIDE TB	100	100	EA	54.58	B
	CA714/10	10P INS EXT SHORTING LINK FR 6mm WIDE TB	20	20	EA	136.09	B
	MC6	MARKER CARD 6 MM PITCH WITH 72 TAGS	1	1	PKT	866.71	B
	MC6WP	PRNTD MARKER CARD 6 MM PITCH 72 TAGS	1	1	PKT	1,000.81	B



**Wire Range** : 0.5 - 6.0 mm<sup>2</sup>  
**Current (A)** : 24 A  
**Voltage (V)** : 1000 V  
**Dimensions Width (Thickness) x Length** : 8 x 42.5 mm  
**Height with Din 35 x 7.5 mm Rail** : 51.2 mm



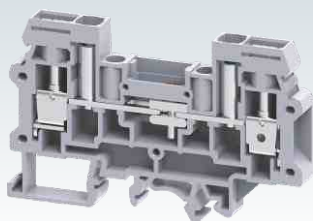
	Part #	Description	Std. Pack	MOQ	UOM	List Price in	Group
TERMINAL BLOCK	CKT6U	6 mm <sup>2</sup> KNIFE DISCON TEST SOCKET SW CL TB	50	50	EA	100.20	B
ACCESSORIES	EP6/10U	END PLATE FOR CTS6U/10U	50	50	EA	8.43	B
	MC8	MARKER CARD 8 MM PITCH WITH 48 TAGS	1	1	PKT	660.54	B
	MC8WP	PRNTD MARKER CARD 8 MM PITCH 48 TAGS	1	1	PKT	767.38	B



Wire Range : 1.5 - 6.0 mm<sup>2</sup>  
 Current (A) : 41 A  
 Voltage (V) : 800 V  
 Dimensions Width (Thickness) x Length : 8 x 63 mm  
 Height with Din 35 x 7.5 mm Rail : 58.2 mm



	Part #	Description	Std. Pack	MOQ	UOM	List Price in	Group
TERMINAL BLOCK	CDTTU	10mm <sup>2</sup> SLIDE LINK DISCONNECT SCREW CLMP TB	50	50	EA	123.40	B
	CDTTUBU	10mm <sup>2</sup> SLIDE LINK DISCON SCRW CLMP TB BLU	50	100	EA	135.74	B
	CDTTUBK	10mm <sup>2</sup> SLIDE LINK DISCON SCRW CLMP TB BLK	50	100	EA	135.74	B
	CDTTUGN	10mm <sup>2</sup> SLIDE LINK DISCON SCRW CLMP TB GRN	50	100	EA	135.74	B
ACCESSORIES	EPCDTTU	END PLATE FOR CDTTU	50	50	EA	19.98	B
	MC8	MARKER CARD 8 MM PITCH WITH 48 TAGS	1	1	PKT	660.54	B
	MC8WP	PRNTD MARKER CARD 8 MM PITCH 48 TAGS	1	1	PKT	767.38	B

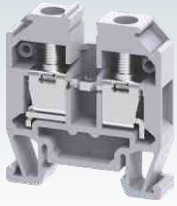


Wire Range : 0.2 - 6.0 mm<sup>2</sup>  
 Current (A) : 41 A  
 Voltage (V) : 800 V  
 Dimensions Width (Thickness) x Length : 8 x 82 mm  
 Height with Din 35 x 7.5 mm Rail : 51 mm



	Part #	Description	Std. Pack	MOQ	UOM	List Price in	Group
TERMINAL BLOCK	CDS6U	6 mm <sup>2</sup> SLIDE LINK DISCONNECT SCRW CLMP TB	50	50	EA	85.40	B
	CDS6UBU	6 mm <sup>2</sup> SLIDE LINK DISCON SCRW CLMP TB BLU	50	100	EA	93.94	B
	CDS6UBK	6 mm <sup>2</sup> SLIDE LINK DISCON SCRW CLMP TB BLK	50	100	EA	93.94	B
	CDS6UR	6 mm <sup>2</sup> SLIDE LINK DISCON SCRW CLMP TB RED	50	100	EA	93.94	B
	CDS6UY	6 mm <sup>2</sup> SLIDE LINK DISCON SCRW CLMP TB YLW	50	100	EA	93.94	B
	CDS6UGN	6 mm <sup>2</sup> SLIDE LINK DISCON SCRW CLMP TB GRN	50	100	EA	93.94	B
ACCESSORIES	EPCDS6U	END PLATE FOR CDS6U	50	50	EA	15.82	B
	CA723/2	2P PRE ASSEM SHRT LINK FOR 8mm WIDE TB	100	300	EA	22.94	B
	CA723/3	3P PRE ASSEM SHRT LINK FOR 8mm WIDE TB	50	150	EA	34.66	B
	CA723/4	4P PRE ASSEM SHRT LINK FOR 8mm WIDE TB	50	150	EA	46.13	B
	CA723/10	10P PRE ASSEM SHRT LINK FOR 8mm WIDE TB	10	30	EA	114.71	B
	CA743/2	2P INS PREASSEM SHRT LINK FR 8mm WIDE TB	10	10	EA	38.76	B
	CA743/3	3P INS PREASSEM SHRT LINK FR 8mm WIDE TB	100	100	EA	58.32	B
	CA743/4	4P INS PREASSEM SHRT LINK FR 8mm WIDE TB	50	50	EA	77.76	B
	CA743/10	10P INS PREASSEM SHRT LINK FR8mm WIDE TB	50	50	EA	194.17	B
	MC8	MARKER CARD 8 MM PITCH WITH 48 TAGS	1	1	PKT	660.54	B
	MC8WP	PRNTD MARKER CARD 8 MM PITCH 48 TAGS	1	1	PKT	767.38	B

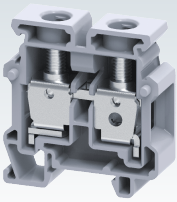
## CTS SERIES STANDARD SCREW CLAMP TERMINAL BLOCKS



Wire Range : 0.2 - 4.0 mm<sup>2</sup>  
 Current (A) : 32 A  
 Voltage (V) : 500 V  
 Dimensions Width (Thickness) x Length : 6 x 27 mm  
 Height with Din 15 mm Rail : 30.4 mm



	Part #	Description	Std. Pack	MOQ	UOM	List Price in	Group
TERMINAL BLOCK	CMT4	4 mm <sup>2</sup> SCREW CLAMP TB FOR DIN15 RAIL	100	100	EA	13.50	B
	CMT4BU	4 mm <sup>2</sup> SCREW CLAMP TB FOR DIN15 RAIL BLU	100	200	EA	14.85	B
	CMT4BK	4 mm <sup>2</sup> SCREW CLAMP TB FOR DIN15 RAIL BLK	100	200	EA	14.85	B
	CMT4R	4 mm <sup>2</sup> SCREW CLAMP TB FOR DIN15 RAIL RED	100	200	EA	14.85	B
	CMT4Y	4 mm <sup>2</sup> SCREW CLAMP TB FOR DIN15 RAIL YLW	100	200	EA	14.85	B
	CMT4GN	4 mm <sup>2</sup> SCREW CLAMP TB FOR DIN15 RAIL GRN	100	200	EA	14.85	B
ACCESSORIES	EPCMT4	END PLATE FOR CMT4	50	50	EA	8.09	B
	PPCMT4	PARTITION PLATE FOR CMT4	50	50	EA	10.28	B
	CA727/2	2P PRE ASSEM SHRT LINK FOR 6mm WIDE TB	100	100	EA	18.84	B
	CA727/3	3P PRE ASSEM SHRT LINK FOR 6mm WIDE TB	100	200	EA	28.01	B
	CA727/4	4P PRE ASSEM SHRT LINK FOR 6mm WIDE TB	100	200	EA	37.43	B
	CA727/10	10P PRE ASSEM SHRT LINK FOR 6mm WIDE TB	10	10	EA	93.34	B
	CA747/2	2P INS PREASSEM SHRT LINK FR 6mm WIDE TB	100	100	EA	36.95	B
	CA747/3	3P INS PREASSEM SHRT LINK FR 6mm WIDE TB	100	100	EA	55.42	B
	CA747/4	4P INS PREASSEM SHRT LINK FR 6mm WIDE TB	100	100	EA	73.90	B
	CA747/10	10P INS PREASSEM SHRT LINK FR6mm WIDE TB	10	10	EA	184.63	B
	MC2	MARKER CARD 6 MM PITCH WITH 72 TAGS	1	1	PKT	866.71	B
	MC2WP	PRNTD MARKER CARD 6 MM PITCH 72 TAGS	1	1	PKT	1,000.81	B



Wire Range : 0.2 - 10.0 mm<sup>2</sup>  
 Current (A) : 57 A  
 Voltage (V) : 500 V  
 Dimensions Width (Thickness) x Length : 10 x 33.5 mm  
 Height with Din 15 mm Rail : 36 mm



	Part #	Description	Std. Pack	MOQ	UOM	List Price in	Group
TERMINAL BLOCK	CMT10	10 MM <sup>2</sup> SCREW CLAMP TB FOR DIN15 RAIL	100	100	EA	53.00	B
ACCESSORIES	EPCMT10	END PLATE FOR CMT10	50	50	EA	10.51	A
	JY10/2	2 POLE INSULATED SHORTING LINK FOR CY10	20	40	EA	49.75	A
	CA602	POLYAMIDE SCREW END CLAMP FOR DIN15	50	50	EA	10.05	B
	MC10	MARKER CARD 10 MM PITCH WITH 42 TAGS	1	1	PKT	633.29	B
	MC10WP	PRNTD MARKER CARD 10 MM PITCH 42 TAGS	1	1	PKT	735.04	B

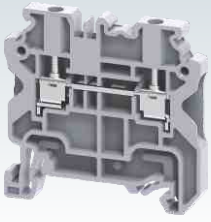


Wire Range : 0.2 - 2.5 mm<sup>2</sup>  
 Current (A) : 32 A  
 Voltage (V) : 500 V  
 Dimensions Width  
 (Thickness) x Length : 6 x 27 mm  
 Height : 28.2 mm



	Part #	Description	Std. Pack	MOQ	UOM	List Price in	Group
TERMINAL BLOCK	CMB4	4 mm <sup>2</sup> PANEL MOUNT SCREW CLAMP TERMINAL	100	100	EA	16.80	B
	CMB4BU	4 mm <sup>2</sup> PANEL MOUNT SCREW CLAMP TB BLUE	100	100	EA	18.48	B
	CMB4BK	4 mm <sup>2</sup> PANEL MOUNT SCREW CLAMP TB BLACK	100	100	EA	18.48	B
	CMB4R	4 mm <sup>2</sup> PANEL MOUNT SCREW CLAMP TB RED	100	100	EA	18.48	B
	CMB4Y	4 mm <sup>2</sup> PANEL MOUNT SCREW CLAMP TB YELLOW	100	100	EA	18.48	B
	CMB4GN	4 mm <sup>2</sup> PANEL MOUNT SCREW CLAMP TB GREEN	100	100	EA	18.48	B
ACCESSORIES	EPCMB4	END PLATE FOR CMB4	50	50	EA	9.47	B
	SPCMB4	SEPARATOR PLATE FOR CMB4	50	50	EA	6.57	B
	CA727/2	2P PRE ASSEM SHRT LINK FOR 6mm WIDE TB	100	100	EA	18.84	B
	CA727/3	3P PRE ASSEM SHRT LINK FOR 6mm WIDE TB	100	200	EA	28.01	B
	CA727/4	4P PRE ASSEM SHRT LINK FOR 6mm WIDE TB	100	200	EA	37.43	B
	CA727/10	10P PRE ASSEM SHRT LINK FOR 6mm WIDE TB	10	10	EA	93.34	B
	CA747/2	2P INS PREASSEM SHRT LINK FR 6mm WIDE TB	100	100	EA	36.95	B
	CA747/3	3P INS PREASSEM SHRT LINK FR 6mm WIDE TB	100	100	EA	55.42	B
	CA747/4	4P INS PREASSEM SHRT LINK FR 6mm WIDE TB	100	100	EA	73.90	B
	CA747/10	10P INS PREASSEM SHRT LINK FR6mm WIDE TB	10	10	EA	184.63	B
	MC2	MARKER CARD 6 MM PITCH WITH 72 TAGS	1	1	PKT	866.71	B
	MC2WP	PRNTD MARKER CARD 6 MM PITCH 72 TAGS	1	1	PKT	1,000.81	B

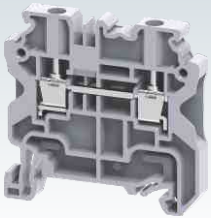
# HIGH PERFORMANCE CY SERIES SCREW CLAMP TERMINAL BLOCKS



Wire Range : 0.2 - 2.5 mm<sup>2</sup>  
 Current (A) : 24 A  
 Voltage (V) : 1000 V  
 Dimensions Width (Thickness) x Length : 5 x 50 mm  
 Height with Din 35 x 7.5 mm Rail : 49 mm



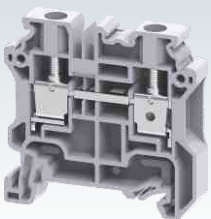
	Part #	Description	Std. Pack	MOQ	UOM	List Price in	Group
TERMINAL BLOCK	CY2.5	2.5 mm <sup>2</sup> FEED THRU SCREW CLAMP TERMINAL	100	100	EA	14.70	A
	CY2.5BU	2.5 mm <sup>2</sup> FEED THRU SCREW CLAMP TB BLU	100	500	EA	16.17	A
ACCESSORIES	EPCY2.5/10	END PLATE FOR CY2.5/4/6/10 CYG2.5/4/6/10	50	50	EA	9.59	A
	PPCY2.5/10	PARTITION PLATE FOR CY2.5/4/6/10	50	50	EA	17.79	A
	JX2.5/2	2 POLE SHRT LNK FR 5MM WIDE SP CL TB	100	100	EA	13.28	A
	JX2.5/3	3 POLE SHRT LNK FR 5MM WIDE SP CL TB	50	50	EA	22.94	A
	JX2.5/4	4 POLE SHRT LNK FR 5MM WIDE SP CL TB	50	50	EA	39.36	A
	JX2.5/10	10 POLE SHRT LNK FR 5MM WIDE SP CL TB	10	10	EA	101.91	A
	MC5	MARKER CARD 5 MM PITCH WITH 84 TAGS	1	1	PKT	1,014.44	B
MC5WP	PRNTD MARKER CARD 5 MM PITCH 84 TAGS	1	1	PKT	1,174.64	B	



Wire Range : 0.2 - 4.0 mm<sup>2</sup>  
 Current (A) : 32 A  
 Voltage (V) : 1000 V  
 Dimensions Width (Thickness) x Length : 6 x 50 mm  
 Height with Din 35 x 7.5 mm Rail : 49 mm




	Part #	Description	Std. Pack	MOQ	UOM	List Price in	Group
TERMINAL BLOCK	CY4	4 mm <sup>2</sup> FEED THRU SCREW CLAMP TERMINAL	100	100	EA	17.70	A
	CY4BU	4 mm <sup>2</sup> FEED THRU SCREW CLAMP TB BLU	100	500	EA	19.47	A
ACCESSORIES	EPCY2.5/10	END PLATE FOR CY2.5/4/6/10 CYG2.5/4/6/10	50	50	EA	9.59	A
	PPCY2.5/10	PARTITION PLATE FOR CY2.5/4/6/10	50	50	EA	17.79	A
	JX4/2	2 POLE SHRT LNK FR 6MM WIDE SP CL TB	100	100	EA	22.58	A
	JX4/3	3 POLE SHRT LNK FR 6MM WIDE SP CL TB	50	50	EA	38.76	A
	JX4/4	4 POLE SHRT LNK FR 6MM WIDE SP CL TB	50	50	EA	58.32	A
	JX4/10	10 POLE SHRT LNK FR 6MM WIDE SP CL TB	10	10	EA	136.09	A
	MC6	MARKER CARD 6 MM PITCH WITH 72 TAGS	1	1	PKT	866.71	B
MC6WP	PRNTD MARKER CARD 6 MM PITCH 72 TAGS	1	1	PKT	1,000.81	B	









Wire Range : 0.2 - 6.0 mm<sup>2</sup>  
 Current (A) : 41 A  
 Voltage (V) : 1000 V  
 Dimensions Width (Thickness) x Length : 8 x 50 mm  
 Height with Din 35 x 7.5 mm Rail : 49 mm



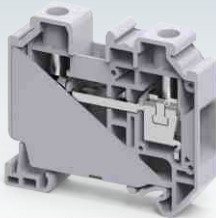
	Part #	Description	Std. Pack	MOQ	UOM	List Price in	Group
TERMINAL BLOCK	CY6	6 mm <sup>2</sup> FEED THRU SCREW CLAMP TERMINAL	100	100	EA	23.60	A
	CY6BU	6 mm <sup>2</sup> FEED THRU SCREW CLAMP TB BLU	100	300	EA	25.96	A
ACCESSORIES	EPCY2.5/10	END PLATE FOR CY2.5/4/6/10 CYG2.5/4/6/10	50	50	EA	9.59	A
	PPCY2.5/10	PARTITION PLATE FOR CY2.5/4/6/10	50	50	EA	17.79	A
	JY6/2	2 POLE INSULATED SHORTING LINK FOR CY6	100	100	EA	34.17	A
	JY6/10	10 POLE INSULATED SHORTING LINK FOR CY6	10	10	EA	195.37	A
	MC8	MARKER CARD 8 MM PITCH WITH 48 TAGS	1	1	PKT	660.54	B
MC8WP	PRNTD MARKER CARD 8 MM PITCH 48 TAGS	1	1	PKT	767.38	B	









Wire Range : 0.2 - 10.0 mm<sup>2</sup>  
 Current (A) : 57 A  
 Voltage (V) : 1000 V  
 Dimensions Width (Thickness) x Length : 10 x 50 mm  
 Height with Din 35 x 7.5 mm Rail : 49 mm

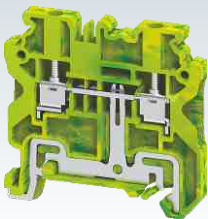
	Part #	Description	Std. Pack	MOQ	UOM	List Price in	Group
TERMINAL BLOCK	CY10	10 mm <sup>2</sup> FEED THRU SCREW CLAMP TERMINAL	50	50	EA	31.10	A
	CY10BU	10 mm <sup>2</sup> FEED THRU SCREW CLAMP TB BLU	50	250	EA	34.21	A
ACCESSORIES	EPCY2.5/10	END PLATE FOR CY2.5/4/6/10 CYG2.5/4/6/10	50	50	EA	9.59	A
	PPCY2.5/10	PARTITION PLATE FOR CY2.5/4/6/10	50	50	EA	17.79	A
	JY10/2	2 POLE INSULATED SHORTING LINK FOR CY10	20	40	EA	49.75	A
	MC10	MARKER CARD 10 MM PITCH WITH 42 TAGS	1	1	PKT	633.29	B
	MC10WP	PRNTD MARKER CARD 10 MM PITCH 42 TAGS	1	1	PKT	735.04	B









Wire Range : 1.5 - 16.0 mm<sup>2</sup>  
 Current (A) : 76 A  
 Voltage (V) : 1000 V  
 Dimensions Width (Thickness) x Length : 12 x 58.9 mm  
 Height with Din 35 x 7.5 mm Rail : 50.8 mm

	Part #	Description	Std. Pack	MOQ	UOM	List Price in	Group
TERMINAL BLOCK	CY16	16 SQ.MM FEED THROUGH TERMINAL BLOCK	50	50	EA	60.30	A
	JY16/2	2 POLE INSULATED SHORTING LINK FOR CY	10	10	EA	94.67	A
	MC12	MARKER CARD 12 MM PITCH WITH 36 TAGS	1	1	PKT	651.88	B
ACCESSORIES	MC12WP	PRNTD MARKER CARD 12 MM PITCH 36 TAGS	1	1	PKT	747.52	B



Wire Range : 0.2 - 2.5 mm<sup>2</sup>  
 Dimensions Width (Thickness) x Length : 5 x 50 mm  
 Height with Din 35 x 7.5 mm Rail : 49 mm

	Part #	Description	Std. Pack	MOQ	UOM	List Price in	Group
TERMINAL BLOCK	CYG2.5	2.5 mm <sup>2</sup> SCREW CLAMP GROUNDING TB	100	100	EA	107.10	A
	EPCY2.5/10	END PLATE FOR CY2.5/4/6/10 CYG2.5/4/6/10	50	50	EA	9.59	A
	PPCY2.5/10	PARTITION PLATE FOR CY2.5/4/6/10	50	50	EA	17.79	A
	JX2.5/2	2 POLE SHRT LNK FR 5MM WIDE SP CL TB	100	100	EA	13.28	A
	JX2.5/3	3 POLE SHRT LNK FR 5MM WIDE SP CL TB	50	50	EA	22.94	A
ACCESSORIES	JX2.5/4	4 POLE SHRT LNK FR 5MM WIDE SP CL TB	50	50	EA	39.36	A
	JX2.5/10	10 POLE SHRT LNK FR 5MM WIDE SP CL TB	10	10	EA	101.91	A
	MC5	MARKER CARD 5 MM PITCH WITH 84 TAGS	1	1	PKT	1,014.44	B
	MC5WP	PRNTD MARKER CARD 5 MM PITCH 84 TAGS	1	1	PKT	1,174.64	B

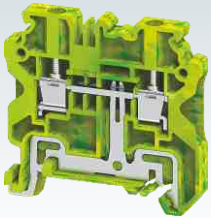
## HIGH PERFORMANCE CY SERIES SCREW CLAMP TERMINAL BLOCKS



Wire Range : 0.2 - 4.0 mm<sup>2</sup>  
 Dimensions Width (Thickness) x Length : 6 x 50 mm  
 Height with Din 35 x 7.5 mm Rail : 49 mm



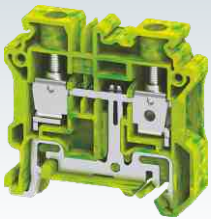
	Part #	Description	Std. Pack	MOQ	UOM	List Price in	Group
TERMINAL BLOCK	CYG4	4 mm <sup>2</sup> SCREW CLAMP GROUNDING TB	100	100	EA	111.10	A
ACCESSORIES	EPCY2.5/10	END PLATE FOR CY2.5/4/6/10 CYG2.5/4/6/10	50	50	EA	9.59	A
	PPCY2.5/10	PARTITION PLATE FOR CY2.5/4/6/10	50	50	EA	17.79	A
	JX4/2	2 POLE SHRT LNK FR 6MM WIDE SP CL TB	100	100	EA	22.58	A
	JX4/3	3 POLE SHRT LNK FR 6MM WIDE SP CL TB	50	50	EA	38.76	A
	JX4/4	4 POLE SHRT LNK FR 6MM WIDE SP CL TB	50	50	EA	58.32	A
	JX4/10	10 POLE SHRT LNK FR 6MM WIDE SP CL TB	10	10	EA	136.09	A
	MC6	MARKER CARD 6 MM PITCH WITH 72 TAGS	1	1	PKT	866.71	B
MC6WP	PRNTD MARKER CARD 6 MM PITCH 72 TAGS	1	1	PKT	1,000.81	B	



Wire Range : 0.2 - 6.0 mm<sup>2</sup>  
 Dimensions Width (Thickness) x Length : 8 x 50 mm  
 Height with Din 35 x 7.5 mm Rail : 49 mm



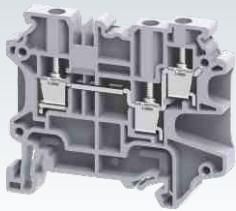
	Part #	Description	Std. Pack	MOQ	UOM	List Price in	Group
TERMINAL BLOCK	CYG6	6 mm <sup>2</sup> SCREW CLAMP GROUNDING TB	100	100	EA	133.70	A
ACCESSORIES	EPCY2.5/10	END PLATE FOR CY2.5/4/6/10 CYG2.5/4/6/10	50	50	EA	9.59	A
	PPCY2.5/10	PARTITION PLATE FOR CY2.5/4/6/10	50	50	EA	17.79	A
	JY6/2	2 POLE INSULATED SHORTING LINK FOR CY6	100	100	EA	34.17	A
	JY6/10	10 POLE INSULATED SHORTING LINK FOR CY6	10	10	EA	195.37	A
	MC8	MARKER CARD 8 MM PITCH WITH 48 TAGS	1	1	PKT	660.54	B
	MC8WP	PRNTD MARKER CARD 8 MM PITCH 48 TAGS	1	1	PKT	767.38	B



Wire Range : 0.2 - 10.0 mm<sup>2</sup>  
 Dimensions Width (Thickness) x Length : 10 x 50 mm  
 Height with Din 35 x 7.5 mm Rail : 49 mm



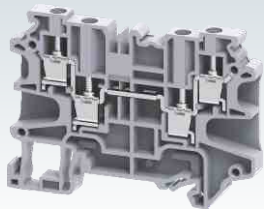
	Part #	Description	Std. Pack	MOQ	UOM	List Price in	Group
TERMINAL BLOCK	CYG10	10 mm <sup>2</sup> SCREW CLAMP GROUND TERMINAL	50	50	EA	162.80	A
ACCESSORIES	EPCY2.5/10	END PLATE FOR CY2.5/4/6/10 CYG2.5/4/6/10	50	50	EA	9.59	A
	PPCY2.5/10	PARTITION PLATE FOR CY2.5/4/6/10	50	50	EA	17.79	A
	JY10/2	2 POLE INSULATED SHORTING LINK FOR CY10	20	40	EA	49.75	A
	MC10	MARKER CARD 10 MM PITCH WITH 42 TAGS	1	1	PKT	633.29	B
	MC10WP	PRNTD MARKER CARD 10 MM PITCH 42 TAGS	1	1	PKT	735.04	B



Wire Range : 0.2 - 4.0 mm<sup>2</sup>  
 Current (A) : 32 A  
 Voltage (V) : 500 V  
 Dimensions Width (Thickness) x Length : 6 x 58.8 mm  
 Height with Din 35 x 7.5 mm Rail : 50.7 mm



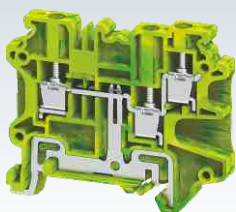
	Part #	Description	Std. Pack	MOQ	UOM	List Price in	Group
TERMINAL BLOCK	CY4/3	4 mm <sup>2</sup> FEED THRU SCREW CLAMP 3 WIRE TB	50	250	EA	41.90	A
ACCESSORIES	EPCY4/3	END PLATE FOR CY4/3 & CYG4/3	50	50	EA	17.44	A
	JX4/2	2 POLE SHRT LNK FR 6MM WIDE SP CL TB	100	100	EA	22.58	A
	JX4/3	3 POLE SHRT LNK FR 6MM WIDE SP CL TB	50	50	EA	38.76	A
	JX4/4	4 POLE SHRT LNK FR 6MM WIDE SP CL TB	50	50	EA	58.32	A
	JX4/10	10 POLE SHRT LNK FR 6MM WIDE SP CL TB	10	10	EA	136.09	A
	MC6	MARKER CARD 6 MM PITCH WITH 72 TAGS	1	1	PKT	866.71	B
	MC6WP	PRNTD MARKER CARD 6 MM PITCH 72 TAGS	1	1	PKT	1,000.81	B



Wire Range : 0.2 - 4.0 mm<sup>2</sup>  
 Dimensions Width (Thickness) x Length : 6 x 69.7 mm  
 Height with Din 35 x 7.5 mm Rail : 50.7 mm



	Part #	Description	Std. Pack	MOQ	UOM	List Price in	Group
TERMINAL BLOCK	CY4/4	4 mm <sup>2</sup> FEED THRU SCREW CLAMP 4 WIRE TB	50	250	EA	58.70	A
ACCESSORIES	EPCY4/4	END PLATE FOR CY4/4 & CYG4/4	50	50	EA	24.37	A
	JX4/2	2 POLE SHRT LNK FR 6MM WIDE SP CL TB	100	100	EA	22.58	A
	JX4/3	3 POLE SHRT LNK FR 6MM WIDE SP CL TB	50	50	EA	38.76	A
	JX4/4	4 POLE SHRT LNK FR 6MM WIDE SP CL TB	50	50	EA	58.32	A
	JX4/10	10 POLE SHRT LNK FR 6MM WIDE SP CL TB	10	10	EA	136.09	A
	MC6	MARKER CARD 6 MM PITCH WITH 72 TAGS	1	1	PKT	866.71	B
	MC6WP	PRNTD MARKER CARD 6 MM PITCH 72 TAGS	1	1	PKT	1,000.81	B

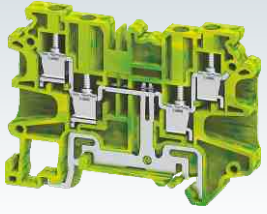


Wire Range : 0.2 - 4.0 mm<sup>2</sup>  
 Dimensions Width (Thickness) x Length : 6 x 58.8 mm  
 Height with Din 35 x 7.5 mm Rail : 50.7 mm









	Part #	Description	Std. Pack	MOQ	UOM	List Price in	Group
TERMINAL BLOCK	CYG4/3	4 mm <sup>2</sup> FEED THRU SP CL 3 WIRE GROUND TB	50	50	EA	168.20	A
ACCESSORIES	EPCY4/3	END PLATE FOR CY4/3 & CYG4/3	50	50	EA	17.44	A
	JX4/2	2 POLE SHRT LNK FR 6MM WIDE SP CL TB	100	100	EA	22.58	A
	JX4/3	3 POLE SHRT LNK FR 6MM WIDE SP CL TB	50	50	EA	38.76	A
	JX4/4	4 POLE SHRT LNK FR 6MM WIDE SP CL TB	50	50	EA	58.32	A
	JX4/10	10 POLE SHRT LNK FR 6MM WIDE SP CL TB	10	10	EA	136.09	A
	MC6	MARKER CARD 6 MM PITCH WITH 72 TAGS	1	1	PKT	866.71	B
	MC6WP	PRNTD MARKER CARD 6 MM PITCH 72 TAGS	1	1	PKT	1,000.81	B

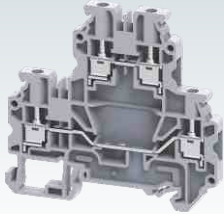
## HIGH PERFORMANCE CY SERIES SCREW CLAMP TERMINAL BLOCKS









Wire Range : 0.2 - 4.0 mm<sup>2</sup>  
 Dimensions Width (Thickness) x Length : 6 x 69.7 mm  
 Height with Din 35 x 7.5 mm Rail : 50.7 mm

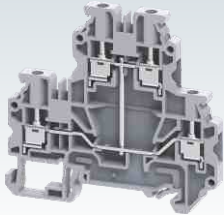
	Part #	Description	Std. Pack	MOQ	UOM	List Price in	Group
TERMINAL BLOCK	CYG4/4	4 mm <sup>2</sup> FEED THRU SP CL 4 WIRE GROUND TB	50	50	EA	186.20	A
ACCESSORIES	EPCY4/4	END PLATE FOR CY4/4 & CYG4/4	50	50	EA	24.37	A
	JX4/2	2 POLE SHRT LNK FR 6MM WIDE SP CL TB	100	100	EA	22.58	A
	JX4/3	3 POLE SHRT LNK FR 6MM WIDE SP CL TB	50	50	EA	38.76	A
	JX4/4	4 POLE SHRT LNK FR 6MM WIDE SP CL TB	50	50	EA	58.32	A
	JX4/10	10 POLE SHRT LNK FR 6MM WIDE SP CL TB	10	10	EA	136.09	A
	MC6	MARKER CARD 6 MM PITCH WITH 72 TAGS	1	1	PKT	866.71	B
	MC6WP	PRNTD MARKER CARD 6 MM PITCH 72 TAGS	1	1	PKT	1,000.81	B









Wire Range : 0.2 - 2.5 mm<sup>2</sup>  
 Current (A) : 24 A  
 Voltage (V) : 500 V  
 Dimensions Width (Thickness) x Length : 5 x 70.5 mm  
 Height with Din 35 x 7.5 mm Rail : 65.9 mm

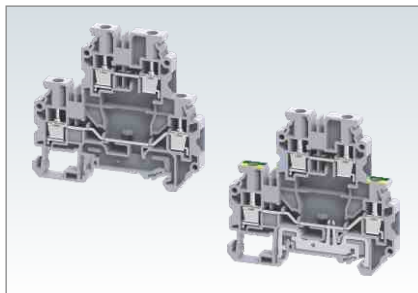
	Part #	Description	Std. Pack	MOQ	UOM	List Price in	Group
TERMINAL BLOCK	CYDL2.5	2.5mm <sup>2</sup> 2 LEVEL FD THRU SCREW CLMP TB	50	50	EA	47.90	A
	CYDLG2.5	2.5mm <sup>2</sup> 2 LEVEL FD THRU SCRW CLMP GND TB	50	100	EA	167.50	A
ACCESSORIES	EPCYDL2.5/4	END PLATE FOR CYDL2.5 & CYDL4	50	50	EA	16.17	A
	JX2.5/2	2 POLE SHRT LNK FR 5MM WIDE SP CL TB	100	100	EA	13.28	A
	JX2.5/3	3 POLE SHRT LNK FR 5MM WIDE SP CL TB	50	50	EA	22.94	A
	JX2.5/4	4 POLE SHRT LNK FR 5MM WIDE SP CL TB	50	50	EA	39.36	A
	JX2.5/10	10 POLE SHRT LNK FR 5MM WIDE SP CL TB	10	10	EA	101.91	A
	MC5	MARKER CARD 5 MM PITCH WITH 84 TAGS	1	1	PKT	1,014.44	B
	MC5WP	PRNTD MARKER CARD 5 MM PITCH 84 TAGS	1	1	PKT	1,174.64	B



Wire Range : 0.2 - 2.5 mm<sup>2</sup>  
 Dimensions Width (Thickness) x Length : 5 x 70.5 mm  
 Height with Din 35 x 7.5 mm Rail : 65.9 mm

	Part #	Description	Std. Pack	MOQ	UOM	List Price in	Group
TERMINAL BLOCK	CYDL2.5(I.S)	2.5mm <sup>2</sup> 2 LEVEL FD THRU SC CL INT SHRT TB	50	250	EA	69.50	A
ACCESSORIES	EPCYDL2.5/4	END PLATE FOR CYDL2.5 & CYDL4	50	50	EA	16.17	A
	JX2.5/2	2 POLE SHRT LNK FR 5MM WIDE SP CL TB	100	100	EA	13.28	A
	JX2.5/3	3 POLE SHRT LNK FR 5MM WIDE SP CL TB	50	50	EA	22.94	A
	JX2.5/4	4 POLE SHRT LNK FR 5MM WIDE SP CL TB	50	50	EA	39.36	A
	JX2.5/10	10 POLE SHRT LNK FR 5MM WIDE SP CL TB	10	10	EA	101.91	A
	MC5	MARKER CARD 5 MM PITCH WITH 84 TAGS	1	1	PKT	1,014.44	B
	MC5WP	PRNTD MARKER CARD 5 MM PITCH 84 TAGS	1	1	PKT	1,174.64	B



Wire Range : 0.2 - 4.0 mm<sup>2</sup>  
 Current (A) : 32 A  
 Voltage (V) : 800 V  
 Dimensions Width (Thickness) x Length : 6 x 70.5 mm  
 Height with Din 35 x 7.5 mm Rail : 65.9 mm



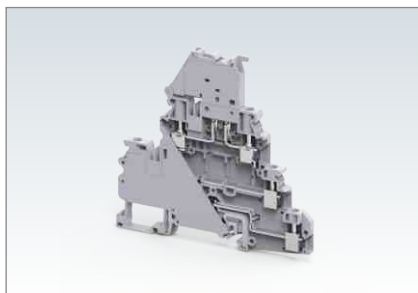
	Part #	Description	Std. Pack	MOQ	UOM	List Price in	Group
TERMINAL BLOCK	CYDL4	4mm <sup>2</sup> 2 LEVEL FD THRU SCREW CLMP TB	50	50	EA	52.00	A
ACCESSORIES	EPCYDL2.5/4	END PLATE FOR CYDL2.5 & CYDL4	50	50	EA	16.17	A
	JX4/2	2 POLE SHRT LNK FR 6MM WIDE SP CL TB	100	100	EA	22.58	A
	JX4/3	3 POLE SHRT LNK FR 6MM WIDE SP CL TB	50	50	EA	38.76	A
	JX4/4	4 POLE SHRT LNK FR 6MM WIDE SP CL TB	50	50	EA	58.32	A
	JX4/10	10 POLE SHRT LNK FR 6MM WIDE SP CL TB	10	10	EA	136.09	A
	MC6	MARKER CARD 6 MM PITCH WITH 72 TAGS	1	1	PKT	866.71	B
	MC6WP	PRNTD MARKER CARD 6 MM PITCH 72 TAGS	1	1	PKT	1,000.81	B



Wire Range : 0.2 - 4.0 mm<sup>2</sup>  
 Current (A) : 32 A  
 Voltage (V) : 800 V  
 Dimensions Width (Thickness) x Length : 6 x 70.5 mm  
 Height with Din 35 x 7.5 mm Rail : 65.9 mm



	Part #	Description	Std. Pack	MOQ	UOM	List Price in	Group
TERMINAL BLOCK	CYDL4(I.S)	4mm <sup>2</sup> 2 LVL FD THRU SC CL INT SHRT TB	50	150	EA	68.80	A
ACCESSORIES	EPCYDL2.5/4	END PLATE FOR CYDL2.5 & CYDL4	50	50	EA	16.17	A
	JX4/2	2 POLE SHRT LNK FR 6MM WIDE SP CL TB	100	100	EA	22.58	A
	JX4/3	3 POLE SHRT LNK FR 6MM WIDE SP CL TB	50	50	EA	38.76	A
	JX4/4	4 POLE SHRT LNK FR 6MM WIDE SP CL TB	50	50	EA	58.32	A
	JX4/10	10 POLE SHRT LNK FR 6MM WIDE SP CL TB	10	10	EA	136.09	A
	MC6	MARKER CARD 6 MM PITCH WITH 72 TAGS	1	1	PKT	866.71	B
	MC6WP	PRNTD MARKER CARD 6 MM PITCH 72 TAGS	1	1	PKT	1,000.81	B

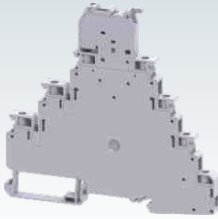


Wire Range : 0.2 - 4.0 mm<sup>2</sup>  
 Current (A) : 32 A  
 Voltage (V) : 800 V  
 Dimensions Width (Thickness) x Length : 6 x 70.5 mm  
 Height with Din 35 x 7.5 mm Rail : 65.9 mm




	Part #	Description	Std. Pack	MOQ	UOM	List Price in	Group
TERMINAL BLOCK	CYDLG4	4mm <sup>2</sup> 2 LEVEL FD THRU SCRW CLMP GND TB	50	100	EA	174.30	A
ACCESSORIES	EPCYDL2.5/4	END PLATE FOR CYDL2.5 & CYDL4	50	50	EA	16.17	A
	JX4/2	2 POLE SHRT LNK FR 6MM WIDE SP CL TB	100	100	EA	22.58	A
	JX4/3	3 POLE SHRT LNK FR 6MM WIDE SP CL TB	50	50	EA	38.76	A
	JX4/4	4 POLE SHRT LNK FR 6MM WIDE SP CL TB	50	50	EA	58.32	A
	JX4/10	10 POLE SHRT LNK FR 6MM WIDE SP CL TB	10	10	EA	136.09	A
	MC6	MARKER CARD 6 MM PITCH WITH 72 TAGS	1	1	PKT	866.71	B
	MC6WP	PRNTD MARKER CARD 6 MM PITCH 72 TAGS	1	1	PKT	1,000.81	B

## HIGH PERFORMANCE CY SERIES SCREW CLAMP TERMINAL BLOCKS



Wire Range : 0.2 - 2.5 mm<sup>2</sup>  
 Current (A) : 10 A  
 Voltage (V) : 250 V  
 Dimensions Width (Thickness) x Length : 6 x 105.1 mm  
 Height with Din 35 x 7.5 mm Rail : 100 mm



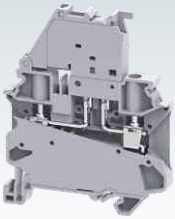
Part #	Description	Std. Pack	MOQ	UOM	List Price in	Group
CYTLF2.5	2.5MM <sup>2</sup> 3 LEVEL FD THRU SCRWB CLMP FUSE TB	50	50	EA	220.80	A
CYTLF2.5L6-60V	2.5MM <sup>2</sup> 3 LVL SC CL FUSE TB LED 6-60V	50	50	EA	287.00	A
CYTLF2.5L110-240V	2.5MM <sup>2</sup> 3 LVL SC CL FUSE TB LED 110-240V	50	50	EA	286.90	A
JX4/2	2 POLE SHRT LNK FR 6MM WIDE SP CL TB	100	100	EA	22.58	A
JX4/3	3 POLE SHRT LNK FR 6MM WIDE SP CL TB	50	50	EA	38.76	A
JX4/4	4 POLE SHRT LNK FR 6MM WIDE SP CL TB	50	50	EA	58.32	A
JX4/5	5 POLE SHRT LNK FR 6MM WIDE SP CL TB	50	50	EA	77.76	A
JX4/8	8 POLE SHRT LNK FR 6MM WIDE SP CL TB	10	10	EA	97.08	A
JX4/10	10 POLE SHRT LNK FR 6MM WIDE SP CL TB	10	10	EA	136.09	A
JX4/16	16 POLE SHRT LNK FR 6MM WIDE SP CL TB	10	10	EA	213.73	A
MC6	MARKER CARD 6 MM PITCH WITH 72 TAGS	1	1	PKT	866.71	B
MC6WP	PRNTD MARKER CARD 6 MM PITCH 72 TAGS	1	1	PKT	1,000.81	B




Wire Range : 0.2 - 4.0 mm<sup>2</sup>  
 Current (A) : 10 A  
 Voltage (V) : 1000 V  
 Dimensions Width (Thickness) x Length : 6 x 58.8 mm  
 Height with Din 35 x 7.5 mm Rail : 72.4 mm



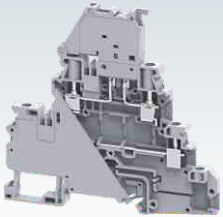
Part #	Description	Std. Pack	MOQ	UOM	List Price in	Group
CYF4	4mm <sup>2</sup> Ø5X20mm FUSE 6mm WIDE TERMNAL BLOCK	50	50	EA	73.50	A
CYF4BU	4mm <sup>2</sup> Ø5X20mm FUSE 6mm WIDE TB BLU	50	100	EA	80.85	A
JX4/2	2 POLE SHRT LNK FR 6MM WIDE SP CL TB	100	100	EA	22.58	A
JX4/3	3 POLE SHRT LNK FR 6MM WIDE SP CL TB	50	50	EA	38.76	A
JX4/4	4 POLE SHRT LNK FR 6MM WIDE SP CL TB	50	50	EA	58.32	A
JX4/10	10 POLE SHRT LNK FR 6MM WIDE SP CL TB	10	10	EA	136.09	A
MC6	MARKER CARD 6 MM PITCH WITH 72 TAGS	1	1	PKT	866.71	B
MC6WP	PRNTD MARKER CARD 6 MM PITCH 72 TAGS	1	1	PKT	1,000.81	B




Wire Range : 0.2 - 4.0 mm<sup>2</sup>  
 Current (A) : 10 A  
 Voltage (V) : 1000 V  
 Dimensions Width (Thickness) x Length : 6 x 58.8 mm  
 Height with Din 35 x 7.5 mm Rail : 72.4 mm



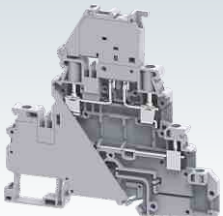
Part #	Description	Std. Pack	MOQ	UOM	List Price in	Group
CYF4L6-60V	4mm <sup>2</sup> Ø5X20mm FUSE SC CL TB LED 6-60V	50	100	EA	107.90	A
CYF4L110-240V	4mm <sup>2</sup> Ø5X20mm FUSE SC CL TB LED 110-240V	50	100	EA		A
JX4/2	2 POLE SHRT LNK FR 6MM WIDE SP CL TB	100	100	EA	22.58	A
JX4/3	3 POLE SHRT LNK FR 6MM WIDE SP CL TB	50	50	EA	38.76	A
JX4/4	4 POLE SHRT LNK FR 6MM WIDE SP CL TB	50	50	EA	58.32	A
JX4/10	10 POLE SHRT LNK FR 6MM WIDE SP CL TB	10	10	EA	136.09	A
MC6	MARKER CARD 6 MM PITCH WITH 72 TAGS	1	1	PKT	866.71	B
MC6WP	PRNTD MARKER CARD 6 MM PITCH 72 TAGS	1	1	PKT	1,000.81	B




Wire Range : 0.2 - 4.0 mm<sup>2</sup>  
 Current (A) : 10 A / 32 A  
 Voltage (V) : 500 V  
 Dimensions Width (Thickness) x Length : 6 x 94.5 mm  
 Height with Din 35 x 7.5 mm Rail : 90.9 mm



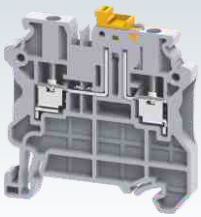
	Part #	Description	Std. Pack	MOQ	UOM	List Price in	Group
TERMINAL BLOCK	CYDLF4	4mm <sup>2</sup> 2 LEVEL Ø5X20mm SCREW CL FUSE TB	50	50	EA	154.50	A
ACCESSORIES	JX4/2	2 POLE SHRT LNK FR 6MM WIDE SP CL TB	100	100	EA	22.58	A
	JX4/3	3 POLE SHRT LNK FR 6MM WIDE SP CL TB	50	50	EA	38.76	A
	JX4/4	4 POLE SHRT LNK FR 6MM WIDE SP CL TB	50	50	EA	58.32	A
	JX4/10	10 POLE SHRT LNK FR 6MM WIDE SP CL TB	10	10	EA	136.09	A
	MC6	MARKER CARD 6 MM PITCH WITH 72 TAGS	1	1	PKT	866.71	B
	MC6WP	PRNTD MARKER CARD 6 MM PITCH 72 TAGS	1	1	PKT	1,000.81	B




Wire Range : 0.2 - 4.0 mm<sup>2</sup>  
 Current (A) : 10 A / 32 A  
 Voltage (V) : 500 V  
 Dimensions Width (Thickness) x Length : 6 x 94.5 mm  
 Height with Din 35 x 7.5 mm Rail : 90.9 mm



	Part #	Description	Std. Pack	MOQ	UOM	List Price in	Group
TERMINAL BLOCK	CYDLF4L6-60V	4mm <sup>2</sup> Ø5X20mm FUSE SC CL TB LED 6-60V	50	50	EA	209.10	A
	CYDLF4L110-240V	4mm <sup>2</sup> Ø5X20mm FUSE SC CL TB LED 110-240V	50	100	EA	209.06	A
ACCESSORIES	JX4/2	2 POLE SHRT LNK FR 6MM WIDE SP CL TB	100	100	EA	22.58	A
	JX4/3	3 POLE SHRT LNK FR 6MM WIDE SP CL TB	50	50	EA	38.76	A
	JX4/4	4 POLE SHRT LNK FR 6MM WIDE SP CL TB	50	50	EA	58.32	A
	JX4/10	10 POLE SHRT LNK FR 6MM WIDE SP CL TB	10	10	EA	136.09	A
	MC6	MARKER CARD 6 MM PITCH WITH 72 TAGS	1	1	PKT	866.71	B
	MC6WP	PRNTD MARKER CARD 6 MM PITCH 72 TAGS	1	1	PKT	1,000.81	B

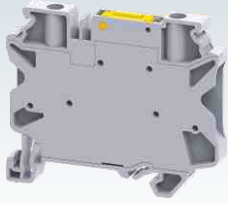


Wire Range : 0.2 - 2.5 mm<sup>2</sup>  
 Current (A) : 20 A  
 Voltage (V) : 500 V  
 Dimensions Width (Thickness) x Length : 5 x 50.0 mm  
 Height with Din 35 x 7.5 mm Rail : 53.2 mm



	Part #	Description	Std. Pack	MOQ	UOM	List Price in	Group
TERMINAL BLOCK	CYK2.5	2.5 mm <sup>2</sup> 2 WIRE KNIFE DISCON SCREW CL TB	100	100	EA	48.30	A
ACCESSORIES	EPCY2.5/10	END PLATE FOR CY2.5/4/6/10 CYG2.5/4/6/10	50	50	EA	9.59	A
	JX2.5/2	2 POLE SHRT LNK FR 5MM WIDE SP CL TB	100	100	EA	13.28	A
	JX2.5/3	3 POLE SHRT LNK FR 5MM WIDE SP CL TB	50	50	EA	22.94	A
	JX2.5/4	4 POLE SHRT LNK FR 5MM WIDE SP CL TB	50	50	EA	39.36	A
	JX2.5/10	10 POLE SHRT LNK FR 5MM WIDE SP CL TB	10	10	EA	101.91	A
	MC5	MARKER CARD 5 MM PITCH WITH 84 TAGS	1	1	PKT	1,014.44	B
MC5WP	PRNTD MARKER CARD 5 MM PITCH 84 TAGS	1	1	PKT	1,174.64	B	

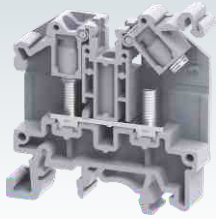
## HIGH PERFORMANCE CY SERIES SCREW CLAMP TERMINAL BLOCKS



Wire Range : 0.2 - 4.0 mm<sup>2</sup>  
 Current (A) : 28 A  
 Voltage (V) : 1000 V  
 Dimensions Width (Thickness) x Length : 6 x 58.8 mm  
 Height with Din 35 x 7.5 mm Rail : 51.5 mm



	Part #	Description	Std. Pack	MOQ	UOM	List Price in	Group
TERMINAL BLOCK	CYK4	4 mm <sup>2</sup> 2 WIRE KNIFE DISCON SCREW CL TB	50	50	EA	58.20	A
	CYK4BU	4 mm <sup>2</sup> 2 WIRE KNIFE DISCON SCRW CL TB BLU	50	200	EA	64.02	A
ACCESSORIES	JX4/2	2 POLE SHRT LNK FR 6MM WIDE SP CL TB	100	100	EA	22.58	A
	JX4/3	3 POLE SHRT LNK FR 6MM WIDE SP CL TB	50	50	EA	38.76	A
	JX4/4	4 POLE SHRT LNK FR 6MM WIDE SP CL TB	50	50	EA	58.32	A
	JX4/10	10 POLE SHRT LNK FR 6MM WIDE SP CL TB	10	10	EA	136.09	A
	MC6	MARKER CARD 6 MM PITCH WITH 72 TAGS	1	1	PKT	866.71	B
	MC6WP	PRNTD MARKER CARD 6 MM PITCH 72 TAGS	1	1	PKT	1,000.81	B



Wire Range : 1.5 - 6.0 mm<sup>2</sup>  
 Current (A) : 41 A  
 Voltage (V) : 1000 V  
 Dimensions Width (Thickness) x Length : 9 x 47 mm  
 Height with Din 35 x 7.5 mm Rail : 47.25 mm



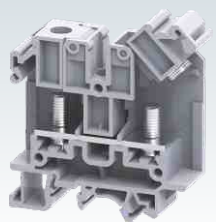
	Part #	Description	Std. Pack	MOQ	UOM	List Price in	Group
TERMINAL BLOCK	STH3	6 mm <sup>2</sup> M3 CAPTIVE NUT STUD TYPE TERMINAL	100	100	EA	54.90	B
	STH3BU	6 mm <sup>2</sup> M3 CAPTIV NUT STUD TYP TB BLU	100	300	EA	60.39	B
	STH3BK	6 mm <sup>2</sup> M3 CAPTIV NUT STUD TYPE TB BLK	100	300	EA	60.39	B
	STH3R	6 mm <sup>2</sup> M3 CAPTIV NUT STUD TYPE TB RED	100	300	EA	60.39	B
	STH3Y	6 mm <sup>2</sup> M3 CAPTIV NUT STD TYPE TB YLW	100	300	EA	60.39	B
	STH3GN	6 mm <sup>2</sup> M3 CAPTIV NUT STD TYPE TB GRN	100	300	EA	60.39	B
ACCESSORIES	EPSTH3	END PLATE FOR STH3	50	50	EA	12.13	B
	CA773/2	2P PRE ASSEM SHRT LINK FOR 9mm WIDE TB	100	100	EA	23.43	B
	CA773/3	3P PRE ASSEM SHRT LINK FOR 9mm WIDE TB	50	500	EA	35.02	B
	CA773/4	4P PRE ASSEM SHRT LINK FOR 9mm WIDE TB	50	500	EA	46.61	B
	CA773/10	10P PRE ASSEM SHRT LINK FR 9mm WD TB	10	10	EA	116.52	B
	MC8	MARKER CARD 8 MM PITCH WITH 48 TAGS	1	1	PKT	660.54	B
	MC8WP	PRNTD MARKER CARD 8 MM PITCH 48 TAGS	1	1	PKT	767.38	B



Wire Range : 1.5 - 6.0 mm<sup>2</sup>  
 Current (A) : 41 A  
 Voltage (V) : 1000 V  
 Dimensions Width (Thickness) x Length : 11 x 46 mm  
 Height with Din 35 x 7.5 mm Rail : 52.2 mm



	Part #	Description	Std. Pack	MOQ	UOM	List Price in	Group
TERMINAL BLOCK	STH4	6 mm <sup>2</sup> M4 CAPTIVE NUT STUD TYPE TERMINAL	50	50	EA	67.60	B
	STH4BK	6 mm <sup>2</sup> M4 CAPTIVE NUT STUD TYPE TB BLACK	50	150	EA	74.36	B
	STH4GN	6 mm <sup>2</sup> M4 CAPTIVE NUT STUD TYPE TB GREEN	50	150	EA	74.36	B
	STH4TP	HINGE TYPE PA STUD TB GRY WTH TP	50	150	EA	79.13	B
ACCESSORIES	EPSTH4	END PLATE FOR STH4	50	50	EA	12.94	B
	MC10	MARKER CARD 10 MM PITCH WITH 42 TAGS	1	1	PKT	633.29	B
	MC10WP	PRNTD MARKER CARD 10 MM PITCH 42 TAGS	1	1	PKT	735.04	B

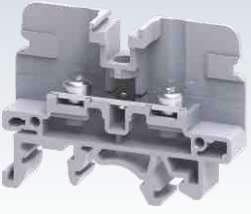


Wire Range : 1.5 - 35.0 mm<sup>2</sup>  
 Current (A) : 125 A  
 Voltage (V) : 1000 V  
 Dimensions Width (Thickness) x Length : 18 x 63.5 mm  
 Height with Din 35 x 7.5 mm Rail : 63.1 mm





	Part #	Description	Std. Pack	MOQ	UOM	List Price in	Group
TERMINAL BLOCK	STH6	35 mm <sup>2</sup> M6 CAPTIVE NUT STUD TYPE TB	50	50	EA	159.60	B
	STH6BU	35 mm <sup>2</sup> M6 CAPTIV NUT STUD TYP TB BLU	50	150	EA	175.56	B
	STH6BK	35 mm <sup>2</sup> M6 CAPTIV NUT STUD TYP TB BLK	50	150	EA	175.56	B
	STH6R	35 mm <sup>2</sup> M6 CAPTIV NUT STUD TYP TB RED	50	150	EA	175.56	B
	STH6Y	35 mm <sup>2</sup> M6 CAPTIV NUT STUD TYP TB YLW	50	150	EA	175.56	B
ACCESSORIES	EPSTH6	END PLATE FOR STH6	50	50	EA	17.44	B
	CA774/2	2P PRE ASSEM SHRT LINK FR 18mm WD TB	100	200	EA	46.14	B
	CA774/3	3P PRE ASSEM SHRT LINK FR 18mm WD TB	50	100	EA	59.38	B
	CA774/4	4P PRE ASSEM SHRT LINK FR 18mm WD TB	50	100	EA	92.14	B
	MC16	MARKER CARD 16 MM PITCH WITH 24 TAGS	1	1	PKT	515.25	B
	MC16WP	PRNTD MARKER CARD 16 MM PITCH 24 TAGS	1	1	PKT	602.22	B





## STUD & BOLT TYPE TERMINAL BLOCKS




Wire Range : 0.5 - 6.0 mm<sup>2</sup>  
 Current (A) : 41 A  
 Voltage (V) : 1000 V  
 Dimensions Width (Thickness) x Length : 9 x 49 mm  
 Height with Din 35 x 7.5 mm Rail : 38 mm

















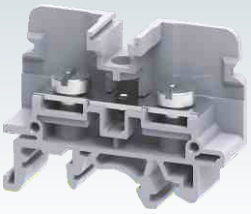
	Part #	Description	Std. Pack	MOQ	UOM	List Price in	Group
TERMINAL BLOCK	CBS3U	6 mm <sup>2</sup> M3 SCREW BARRIER TYPE TERMINAL	100	100	EA	33.20	B
	CBS3UBU	6 mm <sup>2</sup> M3 SCREW BARRIER TYPE TB BLUE	100	300	EA	36.52	B
	CBS3UBK	6 mm <sup>2</sup> M3 SCREW BARRIER TYPE TB BLACK	100	300	EA	36.52	B
	CBS3UR	6 mm <sup>2</sup> M3 SCREW BARRIER TYPE TB RED	100	300	EA	36.52	B
	CBS3UY	6 mm <sup>2</sup> M3 SCREW BARRIER TYPE TB YELLOW	100	300	EA	36.52	B
	CBS3UGN	6 mm <sup>2</sup> M3 SCREW BARRIER TYPE TB GREEN	100	300	EA	36.52	B
ACCESSORIES	EPCBS3U	END PLATE FOR CBS & CSB SERIES TB	50	50	EA	12.13	B
	CA728/2	2P PRE ASSEM SHRT LINK FOR 9mm WIDE TB	50	250	EA	21.13	B
	CA728/3	3P PRE ASSEM SHRT LINK FOR 9mm WIDE TB	50	250	EA	31.64	B
	CA728/10	10P PRE ASSEM SHRT LINK FOR 9mm WIDE TB	10	50	EA	104.93	B
	MC9	MARKER CARD 9 MM PITCH WITH 42 TAGS	1	1	PKT	633.29	B
	MC9WP	PRNTD MARKER CARD 9 MM PITCH 42 TAGS	1	1	PKT	735.04	B












Wire Range : 1.5 - 10.0 mm<sup>2</sup>  
 Current (A) : 57 A  
 Voltage (V) : 1000 V  
 Dimensions Width (Thickness) x Length : 13 x 49 mm  
 Height with Din 35 x 7.5 mm Rail : 38 mm

	Part #	Description	Std. Pack	MOQ	UOM	List Price in	Group
TERMINAL BLOCK	CBS4U	10 mm <sup>2</sup> M4 SCREW BARRIER TYPE TERMINAL	100	100	EA	39.10	B
	CBS4UBU	10 mm <sup>2</sup> M4 SCREW BARRIER TYPE TB BLUE	100	300	EA	43.01	B
	CBS4UBK	10 mm <sup>2</sup> M4 SCREW BARRIER TYPE TB BLACK	100	300	EA	43.01	B
	CBS4UR	10 mm <sup>2</sup> M4 SCREW BARRIER TYPE TB RED	100	300	EA	43.01	B
	CBS4UY	10 mm <sup>2</sup> M4 SCREW BARRIER TYPE TB YELLOW	100	300	EA	43.01	B
ACCESSORIES	EPCBS3U	END PLATE FOR CBS & CSB SERIES TB	50	50	EA	12.13	B
	CA772/2	2P PRE ASSEM SHRT LINK FR 13mm WD TB	100	100	EA	26.93	B
	CA772/3	3P PRE ASSEM SHRT LINK FR 13mm WD TB	50	50	EA	40.33	B
	CA772/4	4P PRE ASSEM SHRT LINK FR 13mm WD TB	50	50	EA	53.73	B
	CA772/10	10P PRE ASSEM SHRT LINK FR 13mm WIDE TB	10	10	EA	134.15	B
	MC9	MARKER CARD 9 MM PITCH WITH 42 TAGS	1	1	PKT	633.29	B
MC9WP	PRNTD MARKER CARD 9 MM PITCH 42 TAGS	1	1	PKT	735.04	B	



Wire Range : 1.5 - 16 mm<sup>2</sup>  
 Current (A) : 76 A  
 Voltage (V) : 1000 V  
 Dimensions Width (Thickness) x Length : 13 x 49 mm  
 Height with Din 35 x 7.5 mm Rail : 38 mm













	Part #	Description	Std. Pack	MOQ	UOM	List Price in	Group
TERMINAL BLOCK	CBS5U	16 mm <sup>2</sup> M4 SCREW BARRIER TYPE TERMINAL	100	100	EA	48.30	B
	CBS5UBU	16 mm <sup>2</sup> M4 SCREW BARRIER TYPE TB BLUE	100	300	EA	53.13	B
	CBS5UR	16 mm <sup>2</sup> M4 SCREW BARRIER TYPE TB RED	100	300	EA	53.13	B
	CBS5UY	16 mm <sup>2</sup> M4 SCREW BARRIER TYPE TB YELLOW	100	300	EA	53.13	B
ACCESSORIES	EPCBS3U	END PLATE FOR CBS & CSB SERIES TB	50	50	EA	12.13	B
	CA772/2	2P PRE ASSEM SHRT LINK FR 13mm WD TB	100	100	EA	26.93	B
	CA772/3	3P PRE ASSEM SHRT LINK FR 13mm WD TB	50	50	EA	40.33	B
	CA772/4	4P PRE ASSEM SHRT LINK FR 13mm WD TB	50	50	EA	53.73	B
	CA772/10	10P PRE ASSEM SHRT LINK FR 13mm WIDE TB	10	10	EA	134.15	B
	MC9	MARKER CARD 9 MM PITCH WITH 42 TAGS	1	1	PKT	633.29	B
MC9WP	PRNTD MARKER CARD 9 MM PITCH 42 TAGS	1	1	PKT	735.04	B	



Wire Range : 0.5 - 6.0 mm<sup>2</sup>  
 Current (A) : 41 A  
 Voltage (V) : 1000 V  
 Dimensions Width (Thickness) x Length : 9 x 49 mm  
 Height with Din 35 x 7.5 mm Rail : 38 mm

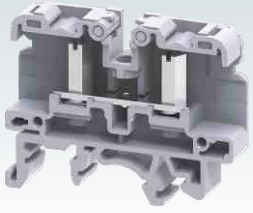









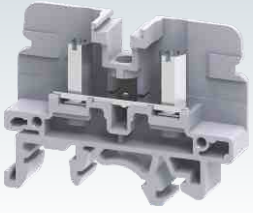

	Part #	Description	Std. Pack	MOQ	UOM	List Price in	Group
TERMINAL BLOCK	CSB3/N3U	6mm <sup>2</sup> M3 STUD TYP SCREW/NUT DRIVER OPERTD	100	100	EA	43.70	B
	CSB3/N3UBU	6mm <sup>2</sup> M3 STUD SCRW/NUT DRVR OPRTD BLU	100	300	EA	48.07	B
	CSB3/N3UBK	6mm <sup>2</sup> M3 STUD SCRW/NUT DRVR OPRTD BLK	100	300	EA	48.07	B
	CSB3/N3UR	6mm <sup>2</sup> M3 STUD SCRW/NUT DRVR OPRTD RED	100	300	EA	48.07	B
	CSB3/N3UY	6mm <sup>2</sup> M3 STU SCRW/NUT DRVR OPRTD YLW	100	300	EA	48.07	B
	CSB3/N3UGN	6mm <sup>2</sup> M3 STUD TYP SCRW/NUT DRIV OPRTD GRN	100	300	EA	48.07	B
ACCESSORIES	EPCBS3U	END PLATE FOR CBS & CSB SERIES TB	50	50	EA	12.13	B
	CA728/2	2P PRE ASSEM SHRT LINK FOR 9mm WIDE TB	50	250	EA	21.13	B
	CA728/3	3P PRE ASSEM SHRT LINK FOR 9mm WIDE TB	50	250	EA	31.64	B
	CA728/10	10P PRE ASSEM SHRT LINK FOR 9mm WIDE TB	10	50	EA	104.93	B
	MC9	MARKER CARD 9 MM PITCH WITH 42 TAGS	1	1	PKT	633.29	B
	MC9WP	PRNTD MARKER CARD 9 MM PITCH 42 TAGS	1	1	PKT	735.04	B












Wire Range : 0.5 - 6.0 mm<sup>2</sup>  
 Current (A) : 41 A  
 Voltage (V) : 1000 V  
 Dimensions Width (Thickness) x Length : 9 x 49 mm  
 Height with Din 35 x 7.5 mm Rail : 38 mm

	Part #	Description	Std. Pack	MOQ	UOM	List Price in	Group
TERMINAL BLOCK	CSB3/N3USH	6mm <sup>2</sup> M3 STUD SHROUD TYP SCRW/NUT DRV OP	100	200	EA	56.40	B
ACCESSORIES	EPCBS3U	END PLATE FOR CBS & CSB SERIES TB	50	50	EA	12.13	B
	CA728/2	2P PRE ASSEM SHRT LINK FOR 9mm WIDE TB	50	250	EA	21.13	B
	CA728/3	3P PRE ASSEM SHRT LINK FOR 9mm WIDE TB	50	250	EA	31.64	B
	CA728/10	10P PRE ASSEM SHRT LINK FOR 9mm WIDE TB	10	50	EA	104.93	B
	MC9	MARKER CARD 9 MM PITCH WITH 42 TAGS	1	1	PKT	633.29	B
	MC9WP	PRNTD MARKER CARD 9 MM PITCH 42 TAGS	1	1	PKT	735.04	B

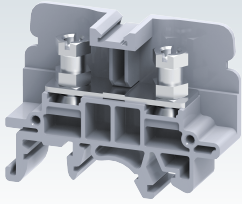


Wire Range : 0.5 - 6.0 mm<sup>2</sup>  
 Current (A) : 41 A  
 Voltage (V) : 800 V  
 Dimensions Width (Thickness) x Length : 9 x 49 mm  
 Height with Din 35 x 7.5 mm Rail : 38 mm

	Part #	Description	Std. Pack	MOQ	UOM	List Price in	Group
TERMINAL BLOCK	CSB3/N3UL	6mm <sup>2</sup> M3 STUD TYP SCREW/NUT DRIVER OPERTD	100	100	EA	44.60	B
	CSB3/N3ULBU	6mm <sup>2</sup> M3 STUD SCRW/NUT DRVR OPRTD BLU	100	300	EA	49.06	B
	CSB3/N3ULBK	6mm <sup>2</sup> M3 STUD TYP SCRW/NUT DRVR OPRTD BLK	100	300	EA	49.06	B
	CSB3/N3ULR	6mm <sup>2</sup> M3 STUD TYP SCRW/NUT DRVR OPRTD RED	100	300	EA	49.06	B
	CSB3/N3ULY	6mm <sup>2</sup> M3 STUD TYP SCRW/NUT DRVR OPRTD YLW	100	300	EA	49.06	B
	CSB3/N3ULGN	6mm <sup>2</sup> M3 STUD SCREW/NUT DRIVER OPERTD GRN	100	300	EA	49.06	B
ACCESSORIES	EPCBS3U	END PLATE FOR CBS & CSB SERIES TB	50	50	EA	12.13	B
	CA728/2	2P PRE ASSEM SHRT LINK FOR 9mm WIDE TB	50	250	EA	21.13	B
	CA728/3	3P PRE ASSEM SHRT LINK FOR 9mm WIDE TB	50	250	EA	31.64	B
	CA728/10	10P PRE ASSEM SHRT LINK FOR 9mm WIDE TB	10	50	EA	104.93	B
	MC9	MARKER CARD 9 MM PITCH WITH 42 TAGS	1	1	PKT	633.29	B
	MC9WP	PRNTD MARKER CARD 9 MM PITCH 42 TAGS	1	1	PKT	735.04	B

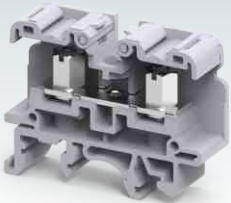
## STUD & BOLT TYPE TERMINAL BLOCKS



Wire Range : 1.5 - 10.0 mm<sup>2</sup>  
 Current (A) : 57 A  
 Voltage (V) : 1000 V  
 Dimensions Width  
 (Thickness) x Length : 13 x 49 mm  
 Height with  
 Din 35 x 7.5 mm Rail : 38 mm



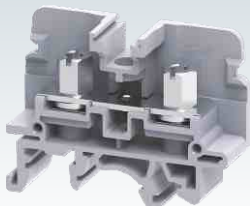
	Part #	Description	Std. Pack	MOQ	UOM	List Price in	Group
TERMINAL BLOCK	CSB4/N4UN	10mm <sup>2</sup> M4 STUD SCREW/NUT DRIVER OPERTD	100	100	EA	58.40	B
ACCESSORIES	EPCBS3U	END PLATE FOR CBS & CSB SERIES TB	50	50	EA	12.13	B
	CA772/2	2P PRE ASSEM SHRT LINK FR 13mm WD TB	100	100	EA	26.93	B
	CA772/4	4P PRE ASSEM SHRT LINK FR 13mm WD TB	50	50	EA	53.73	B
	CA772/10	10P PRE ASSEM SHRT LINK FR 13mm WIDE TB	10	10	EA	134.15	B
	CA514/2-2	2P INS REM SHORTING LNK FR 13mm WIDE TB	100	200	EA	34.29	B
	CA514/2-4	4P INS REM SHORTING LNK FR 13mm WIDE TB	50	100	EA	68.59	B
	MC10	MARKER CARD 10 MM PITCH WITH 42 TAGS	1	1	PKT	633.29	B
	MC10WP	PRNTD MARKER CARD 10 MM PITCH 42 TAGS	1	1	PKT	735.04	B



Wire Range : 1.5 - 10.0 mm<sup>2</sup>  
 Current (A) : 57 A  
 Voltage (V) : 1000 V  
 Dimensions Width  
 (Thickness) x Length : 13 x 49 mm  
 Height with  
 Din 35 x 7.5 mm Rail : 38 mm



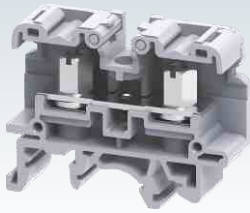
	Part #	Description	Std. Pack	MOQ	UOM	List Price in	Group
TERMINAL BLOCK	CSB4/N4USH	10mm <sup>2</sup> M4 STUD SHROUD TYP SCRW/NUT DRV OP	100	100	EA	66.20	B
ACCESSORIES	EPCBS3U	END PLATE FOR CBS & CSB SERIES TB	50	50	EA	12.13	B
	CA772/2	2P PRE ASSEM SHRT LINK FR 13mm WD TB	100	100	EA	26.93	B
	CA772/3	3P PRE ASSEM SHRT LINK FR 13mm WD TB	50	50	EA	40.33	B
	CA772/4	4P PRE ASSEM SHRT LINK FR 13mm WD TB	50	50	EA	53.73	B
	CA772/10	10P PRE ASSEM SHRT LINK FR 13mm WIDE TB	10	10	EA	134.15	B
	MC9	MARKER CARD 9 MM PITCH WITH 42 TAGS	1	1	PKT	633.29	B
	MC9WP	PRNTD MARKER CARD 9 MM PITCH 42 TAGS	1	1	PKT	735.04	B



Wire Range : 1.5 - 16.0 mm<sup>2</sup>  
 Current (A) : 76 A  
 Voltage (V) : 1000 V  
 Dimensions Width  
 (Thickness) x Length : 13 x 49 mm  
 Height with  
 Din 35 x 7.5 mm Rail : 38 mm



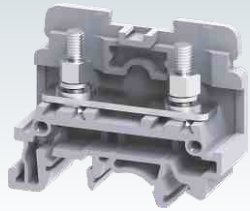
	Part #	Description	Std. Pack	MOQ	UOM	List Price in	Group
TERMINAL BLOCK	CSB5/N5U	16mm <sup>2</sup> M4 STUD SCREW/NUT DRIVER OPERTD	100	100	EA	64.70	B
	CSB5/N5UBU	16mm <sup>2</sup> M4 STUD SCREW/NUT DRIV OPRTD BLU	100	200	EA	71.17	B
	CSB5/N5UBK	16mm <sup>2</sup> M4 STUD SCREW/NUT DRIV OPRTD BLK	100	200	EA	71.17	B
	CSB5/N5UR	16mm <sup>2</sup> M4 STUD SCREW/NUT DRIV OPRTD RED	100	200	EA	71.17	B
	CSB5/N5UY	16mm <sup>2</sup> M4 STUD SCREW/NUT DRIV OPRTD YLW	100	200	EA	71.17	B
	CSB5/N5UGN	16mm <sup>2</sup> M4 STUD SCREW/NUT DRIV OPRTD GRN	100	200	EA	71.17	B
	ACCESSORIES	EPCBS3U	END PLATE FOR CBS & CSB SERIES TB	50	50	EA	12.13
CA772/2		2P PRE ASSEM SHRT LINK FR 13mm WD TB	100	100	EA	26.93	B
CA772/3		3P PRE ASSEM SHRT LINK FR 13mm WD TB	50	50	EA	40.33	B
CA772/4		4P PRE ASSEM SHRT LINK FR 13mm WD TB	50	50	EA	53.73	B
CA772/10		10P PRE ASSEM SHRT LINK FR 13mm WIDE TB	10	10	EA	134.15	B
MC9		MARKER CARD 9 MM PITCH WITH 42 TAGS	1	1	PKT	633.29	B
MC9WP		PRNTD MARKER CARD 9 MM PITCH 42 TAGS	1	1	PKT	735.04	B



Wire Range : 1.5 - 10.0 mm<sup>2</sup>  
 Current (A) : 57 A  
 Voltage (V) : 1000 V  
 Dimensions Width (Thickness) x Length : 13 x 50 mm  
 Height with Din 35 x 7.5 mm Rail : 40.7 mm



	Part #	Description	Std. Pack	MOQ	UOM	List Price in	Group
TERMINAL BLOCK	CSB5/N5USH	16mm <sup>2</sup> M5 STUD SHROUD TYP SCRWNUT DRV OP	100	100	EA	74.30	B
ACCESSORIES	EPCBS3U	END PLATE FOR CBS & CSB SERIES TB	50	50	EA	12.13	B
	CA772/2	2P PRE ASSEM SHRT LINK FR 13mm WD TB	100	100	EA	26.93	B
	CA772/3	3P PRE ASSEM SHRT LINK FR 13mm WD TB	50	50	EA	40.33	B
	CA772/4	4P PRE ASSEM SHRT LINK FR 13mm WD TB	50	50	EA	53.73	B
	CA772/10	10P PRE ASSEM SHRT LINK FR 13mm WIDE TB	10	10	EA	134.15	B
	MC9	MARKER CARD 9 MM PITCH WITH 42 TAGS	1	1	PKT	633.29	B
	MC9WP	PRNTD MARKER CARD 9 MM PITCH 42 TAGS	1	1	PKT	735.04	B

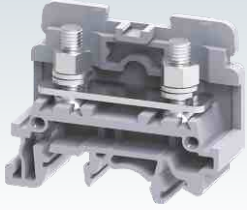


Wire Range : 1.5 - 10.0 mm<sup>2</sup>  
 Current (A) : 57 A  
 Voltage (V) : 1000 V  
 Dimensions Width (Thickness) x Length : 17 x 50 mm  
 Height with Din 35 x 7.5 mm Rail : 40.7 mm



	Part #	Description	Std. Pack	MOQ	UOM	List Price in	Group
TERMINAL BLOCK	CSTSN4U	10mm <sup>2</sup> M4 STUD NUT DRIVER OPERATED TB	100	100	EA	58.50	B
	CSTSN4UBU	10mm <sup>2</sup> M4 STUD NUT DRIVER OPTD TB BLUE	100	300	EA	64.35	B
	CSTSN4UBK	10mm <sup>2</sup> M4 STUD NUT DRIVER OPTD TB BLACK	100	300	EA	64.35	B
	CSTSN4UR	10mm <sup>2</sup> M4 STUD NUT DRIVER OPTD TB RED	100	300	EA	64.35	B
	CSTSN4UY	10mm <sup>2</sup> M4 STUD NUT DRIVER OPTD TB YLW	100	300	EA	64.35	B
	CSTSN4UGN	10mm <sup>2</sup> M4 STUD NUT DRIVER OPTD TB GREEN	100	300	EA	64.35	B
ACCESSORIES	EPCSTSU	END PLATE FOR CSTSN4/N5U	50	50	EA	13.05	B
	CA514/1-2	2P INS REM SHRTG LINK FOR 17mm WIDE TB	100	200	EA	34.29	B
	CA514/1-3	3P INS REM SHRTG LINK FOR 17mm WIDE TB	50	100	EA	51.56	B
	CA514/1-4	4P INS REM SHRTG LINK FOR 17mm WIDE TB	50	100	EA	68.59	B
	CA512/3-2	2P PERM SHORTING LINK FOR 17mm WIDE TB	100	200	EA	29.34	B
	CA512/3-4	4P PERM SHORTING LINK FOR 17mm WIDE TB	50	100	EA	58.32	B
	CA514/3-2	2P INS PERM SHRTG LINK FOR 17mm WIDE TB	100	200	EA	34.29	B
	CA514/3-3	4P INS PERM SHRTG LINK FOR 17mm WIDE TB	50	100	EA		B
	MC2B4	MARKER CARD 6 MM PITCH WITH 72 TAGS	1	1	PKT	866.71	B
	MC2B4WP	PRNTD MARKER CARD 6 MM PITCH 72 TAGS	1	1	PKT	1,000.81	B

## STUD & BOLT TYPE TERMINAL BLOCKS



Wire Range : 1.5 - 16.0 mm<sup>2</sup>  
 Current (A) : 76 A  
 Voltage (V) : 1000 V  
 Dimensions Width  
 (Thickness) x Length : 17 x 50 mm  
 Height with  
 Din 35 x 7.5 mm Rail : 40.7 mm



	Part #	Description	Std. Pack	MOQ	UOM	List Price in	Group
TERMINAL BLOCK	CSTSN5U	16mm <sup>2</sup> M5 STUD NUT DRIVER OPERATED TB	100	100	EA	64.30	B
	CSTSN5UBU	16mm <sup>2</sup> M5 STUD NUT DRIVER OPTD TB BLUE	100	300	EA	70.73	B
	CSTSN5UBK	16mm <sup>2</sup> M5 STUD NUT DRIVER OPTD TB BLACK	100	300	EA	70.73	B
	CSTSN5UR	16mm <sup>2</sup> M5 STUD NUT DRIVER OPTD TB RED	100	300	EA	70.73	B
	CSTSN5UY	16mm <sup>2</sup> M5 STUD NUT DRIVER OPTD TB YELLOW	100	300	EA	70.73	B
	CSTSN5UGN	16mm <sup>2</sup> M5 STUD NUT DRIVER OPTD TB GRN	100	300	EA	70.73	B
ACCESSORIES	EPCSTSU	END PLATE FOR CSTSN4/N5U	50	50	EA	13.05	B
	CA514/1-2	2P INS REM SHRTG LINK FOR 17mm WIDE TB	100	200	EA	34.29	B
	CA514/1-3	3P INS REM SHRTG LINK FOR 17mm WIDE TB	50	100	EA	51.56	B
	CA514/1-4	4P INS REM SHRTG LINK FOR 17mm WIDE TB	50	100	EA	68.59	B
	CA512/3-2	2P PERM SHORTING LINK FOR 17mm WIDE TB	100	200	EA	29.34	B
	CA512/3-4	4P PERM SHORTING LINK FOR 17mm WIDE TB	50	100	EA	58.32	B
	CA514/3-2	2P INS PERM SHRTG LINK FOR 17mm WIDE TB	100	200	EA	34.29	B
	CA514/3-3	4P INS PERM SHRTG LINK FOR 17mm WIDE TB	50	100	EA		B
	MC2B4	MARKER CARD 6 MM PITCH WITH 72 TAGS	1	1	PKT	866.71	B
	MC2B4WP	PRNTD MARKER CARD 6 MM PITCH 72 TAGS	1	1	PKT	1,000.81	B



Wire Range : 1.5 - 35 mm<sup>2</sup>  
 Current (A) : 125 A  
 Voltage (V) : 1000 V  
 Dimensions Width  
 (Thickness) x Length : 17 x 50 mm  
 Height with  
 Din 35 x 7.5 mm Rail : 40.7 mm



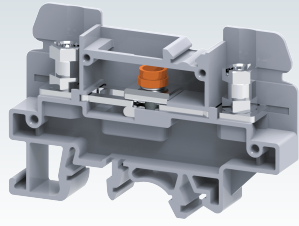
	Part #	Description	Std. Pack	MOQ	UOM	List Price in	Group
TERMINAL BLOCK	CSTSN6U	35mm <sup>2</sup> M6 STUD NUT DRIVER OPERATED TB	100	100	EA	92.20	B
	CSTSN6UBU	35mm <sup>2</sup> M6 STUD NUT DRIVER OPTD TB BLUE	100	200	EA	101.42	B
	CSTSN6UBK	35mm <sup>2</sup> M6 STUD NUT DRIVER OPTD TB BLACK	100	200	EA	101.42	B
	CSTSN6UR	35mm <sup>2</sup> M6 STUD NUT DRIVER OPTD TB RED	100	200	EA	101.42	B
	CSTSN6UY	35mm <sup>2</sup> M6 STUD NUT DRIVER OPTD TB YLW	100	200	EA	101.42	B
	CSTSN6UGN	35mm <sup>2</sup> M6 STUD NUT DRIVER OPTD TB GREEN	100	200	EA	101.42	B
ACCESSORIES	EPCSTSU	END PLATE FOR CSTSN4/N5U	50	50	EA	13.05	B
	CA512/7-2	2P REM SHORTING LINK FOR 17mm WIDE TB	100	200	EA	29.34	B
	CA514/7-2	2P INS REM SHRT LNK FR 17mm WIDE TB	100	200	EA	34.29	B
	CA514/8-2	2P INS PERM SHORTING LNK FR 17mm WIDE TB	100	200	EA	34.29	B
	MC2B4	MARKER CARD 6 MM PITCH WITH 72 TAGS	1	1	PKT	866.71	B
	MC2B4WP	PRNTD MARKER CARD 6 MM PITCH 72 TAGS	1	1	PKT	1,000.81	B



Wire Range : 1.5 - 35.0 mm<sup>2</sup>  
 Current (A) : 125 A  
 Voltage (V) : 1000 V  
 Dimensions Width  
 (Thickness) x Length : 17 x 50 mm  
 Height with  
 Din 35 x 7.5 mm Rail : 42.2 mm



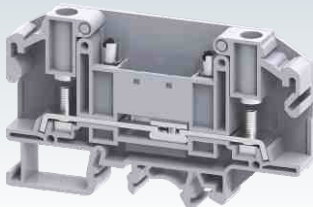
	Part #	Description	Std. Pack	MOQ	UOM	List Price in	Group
TERMINAL BLOCK	CSTSN6USH	35mm <sup>2</sup> M6 STUD SHROUD TYP NUT DRIVER OPRT	100	100	EA	108.60	B
ACCESSORIES	EPCSTSU	END PLATE FOR CSTSN4/N5U	50	50	EA	13.05	B
	MC2B4	MARKER CARD 6 MM PITCH WITH 72 TAGS	1	1	PKT	866.71	B
	MC2B4WP	PRNTD MARKER CARD 6 MM PITCH 72 TAGS	1	1	PKT	1,000.81	B



Wire Range : 1.5 - 6.0 mm<sup>2</sup>  
 Current (A) : 41 A  
 Voltage (V) : 1000 V  
 Dimensions Width (Thickness) x Length : 11 x 67.2 mm  
 Height with Din 35 x 7.5 mm Rail : 48.2 mm



	Part #	Description	Std. Pack	MOQ	UOM	List Price in	Group
TERMINAL BLOCK	CBBD4UNS	6mm <sup>2</sup> M4 BR STUD SLIDE LNK DISC SOC HD NUT	50	50	EA	83.70	B
ACCESSORIES	EPCBBD4UN	END PLATE FOR CBBD4UN	50	50	EA	18.25	B
	CA512/13-2	2P REM SHORTING LINK FOR 11mm WIDE TB	100	200	EA	29.34	B
	CA512/13-3	3P REM SHORTING LINK FOR 11mm WIDE TB	50	100	EA	43.83	B
	CA512/13-4	4P REM SHORTING LINK FOR 11mm WIDE TB	50	100	EA	58.32	B
	CA514/13-2	2P INS REM SHORTING LNK FR 11mm WIDE TB	100	200	EA	34.29	B
	CA514/13-3	3P INS REM SHORTING LNK FR 11mm WIDE TB	50	100	EA	51.56	B
	CA514/13-4	4P INS REM SHORTING LNK FR 11mm WIDE TB	50	100	EA	68.59	B
	CA512/14-2	2P PERM SHORTING LINK FOR 11mm WIDE TB	100	200	EA	29.34	B
	CA512/14-3	3P PERM SHORTING LINK FOR 11mm WIDE TB	50	100	EA	43.83	B
	CA512/14-4	4P PERM SHORTING LINK FOR 11mm WIDE TB	50	100	EA	58.32	B
	CA514/14-2	2P INS PERM SHORTING LNK FR 11mm WIDE TB	100	200	EA	34.29	B
	CA514/14-3	3P INS PERM SHORTING LNK FR 11mm WIDE TB	50	100	EA	51.56	B
	CA514/14-4	4P INS PERM SHORTING LNK FR 11mm WIDE TB	50	100	EA	68.59	B
	CA514/14-10	10P INS PERM SHORTNG LNK FR 11mm WIDE TB	10	20		170.98	B
	MC10	MARKER CARD 10 MM PITCH WITH 42 TAGS	1	1	PKT	633.29	B
	MC10WP	PRNTD MARKER CARD 10 MM PITCH 42 TAGS	1	1	PKT	735.04	B



Wire Range : 1.5 - 6.0 mm<sup>2</sup>  
 Current (A) : 41 A  
 Voltage (V) : 1000 V  
 Dimensions Width (Thickness) x Length : 11 x 86 mm  
 Height with Din 35 x 7.5 mm Rail : 51.5 mm



	Part #	Description	Std. Pack	MOQ	UOM	List Price in	Group
TERMINAL BLOCK	STH4DT	6 mm <sup>2</sup> DISCONNECT CAPTIVE NUT STUD TYP TB	50	50	EA	110.30	B
	STH4DTBU	6 mm <sup>2</sup> DISCON CAPTIVE NUT STUD TYP TB BLU	50	250	EA	121.33	B
	STH4DTBK	6 mm <sup>2</sup> DISCON CAPTIVE NUT STUD TYP TB BLK	50	250	EA	121.33	B
	STH4DTR	6 mm <sup>2</sup> DISCON CAPTIVE NUT STUD TYP TB RED	50	250	EA	121.33	B
	STH4DTY	6 mm <sup>2</sup> DISCON CAPTIVE NUT STUD TYP TB YLW	50	250	EA	121.33	B
	STH4DTGN	6 mm <sup>2</sup> DISCON CAPTIVE NUT STUD TYP TB GRN	50	250	EA	123.54	B
ACCESSORIES	EPSTH4DT	END PLATE FOR STH4DT	50	50	EA	19.29	B
	CA512/13-2	2P REM SHORTING LINK FOR 11mm WIDE TB	100	200	EA	29.34	B
	CA512/13-3	3P REM SHORTING LINK FOR 11mm WIDE TB	50	100	EA	43.83	B
	CA512/13-4	4P REM SHORTING LINK FOR 11mm WIDE TB	50	100	EA	58.32	B
	CA514/13-2	2P INS REM SHORTING LNK FR 11mm WIDE TB	100	200	EA	34.29	B
	CA514/13-3	3P INS REM SHORTING LNK FR 11mm WIDE TB	50	100	EA	51.56	B
	CA514/13-4	4P INS REM SHORTING LNK FR 11mm WIDE TB	50	100	EA	68.59	B
	CA512/14-2	2P PERM SHORTING LINK FOR 11mm WIDE TB	100	200	EA	29.34	B
	CA512/14-3	3P PERM SHORTING LINK FOR 11mm WIDE TB	50	100	EA	43.83	B
	CA512/14-4	4P PERM SHORTING LINK FOR 11mm WIDE TB	50	100	EA	58.32	B
	CA514/14-2	2P INS PERM SHORTING LNK FR 11mm WIDE TB	100	200	EA	34.29	B
	CA514/14-3	3P INS PERM SHORTING LNK FR 11mm WIDE TB	50	100	EA	51.56	B
	CA514/14-4	4P INS PERM SHORTING LNK FR 11mm WIDE TB	50	100	EA	68.59	B
	CA514/14-10	10P INS PERM SHORTNG LNK FR 11mm WIDE TB	10	20		170.98	B
	MC10	MARKER CARD 10 MM PITCH WITH 42 TAGS	1	1	PKT	633.29	B
	MC10WP	PRNTD MARKER CARD 10 MM PITCH 42 TAGS	1	1	PKT	735.04	B

## STUD & BOLT TYPE TERMINAL BLOCKS




CBB35/50                      CBB35/50LS



Wire Range : 6.0 - 50.0 mm<sup>2</sup>  
 Current (A) : 150 A  
 Voltage (V) : 1000 V  
 Dimensions Width (Thickness) x Length : 32 x 75 mm  
 Height with Din 35 x 7.5 mm Rail : 47.3 mm














	Part #	Description	Std. Pack	MOQ	UOM	List Price in	Group
TERMINAL BLOCK	CBB35/50	50 mm <sup>2</sup> FD THRU BOLT/NUT TERMINAL BLOCK	10	10	EA	215.80	B
	CBB35/50LS	50 mm <sup>2</sup> FEED THRU SLOTTED BOLT TERMINAL	10	10	EA	218.90	B
	CBB35/50BU	50 mm <sup>2</sup> FEED THRU BOLT/NUT TB BLUE	10	40	EA	237.38	B
	CBB35/50BK	50 mm <sup>2</sup> FEED THRU BOLT/NUT TB BLACK	10	40	EA	237.38	B
	CBB35/50R	50 mm <sup>2</sup> FEED THRU BOLT/NUT TB RED	10	40	EA	237.38	B
	CBB35/50Y	50 mm <sup>2</sup> FEED THRU BOLT/NUT TB YELLOW	10	40	EA	237.38	B
	CBB35/50GN	50 mm <sup>2</sup> FEED THRU BOLT/NUT TB GREEN	10	40	EA	237.38	B
ACCESSORIES	PPCBB	PARTITION PLATE FOR CBB35/50 /CBB70	10	10	EA	42.27	B
	CA790/2	2 POLE SHORTING LINK FOR CBB35/50	10	40	EA	77.76	B
	CA790/3	3 POLE SHORTING LINK FOR CBB35/50	10	40	EA	110.85	B
	MC12	MARKER CARD 12 MM PITCH WITH 36 TAGS	1	1	PKT	651.88	B
	MC12WP	PRNTD MARKER CARD 12 MM PITCH 36 TAGS	1	1	PKT	747.52	B

CBB70                      CBB70LS

Wire Range : 6.0 - 70.0 mm<sup>2</sup>  
 Current (A) : 192 A  
 Voltage (V) : 1000 V  
 Dimensions Width (Thickness) x Length : 38 x 92 mm  
 Height with Din 35 x 7.5 mm Rail : 47.3 mm

	Part #	Description	Std. Pack	MOQ	UOM	List Price in	Group
TERMINAL BLOCK	CBB70	70 mm <sup>2</sup> FD THRU BOLT/NUT TERMINAL BLOCK	10	10	EA	415.10	B
	CBB70LS	70 mm <sup>2</sup> FEED THRU SLOTTED BOLT TERMINAL	10	10	EA	415.10	B
	CBB70BU	70 mm <sup>2</sup> FEED THRU BOLT/NUT TB BLUE	10	40	EA	456.61	B
	CBB70BK	70 mm <sup>2</sup> FEED THRU BOLT/NUT TB BLACK	10	40	EA	456.61	B
	CBB70R	70 mm <sup>2</sup> FEED THRU BOLT/NUT TB RED	10	40	EA	456.61	B
	CBB70Y	70 mm <sup>2</sup> FEED THRU BOLT/NUT TB YELLOW	10	40	EA	456.61	B
	CBB70GN	70 mm <sup>2</sup> FEED THRU BOLT/NUT TB GREEN	10	40	EA	456.61	B
ACCESSORIES	PPCBB	PARTITION PLATE FOR CBB35/50 /CBB70	10	10	EA	42.27	B
	CA791/2	2 POLE SHORTING LINK FOR CBB70/CBB95	10	40	EA	155.28	B
	CA791/3	3 POLE SHORTING LINK FOR CBB70/CBB95	10	40	EA	233.05	B
	MC16	MARKER CARD 16 MM PITCH WITH 24 TAGS	1	1	PKT	515.25	B
	MC16WP	PRNTD MARKER CARD 16 MM PITCH 24 TAGS	1	1	PKT	602.22	B




CBB95                      CBB95LS

Wire Range : 16.0 - 95.0 mm<sup>2</sup>  
 Current (A) : 232 A  
 Voltage (V) : 1000 V  
 Dimensions Width (Thickness) x Length : 38 x 92 mm  
 Height with Din 35 x 7.5 mm Rail : 47.3 mm








	Part #	Description	Std. Pack	MOQ	UOM	List Price in	Group
TERMINAL BLOCK	CBB95	95 mm <sup>2</sup> FD THRU BOLT/NUT TERMINAL BLOCK	10	10	EA	420.80	B
	CBB95LS	95 mm <sup>2</sup> FEED THRU SLOTTED BOLT TERMINAL	10	10	EA	420.80	B
	CBB95BU	95 mm <sup>2</sup> FEED THRU BOLT/NUT TB BLUE	10	40	EA	462.88	B
	CBB95BK	95 mm <sup>2</sup> FEED THRU BOLT/NUT TB BLACK	10	40	EA	462.88	B
	CBB95R	95 mm <sup>2</sup> FEED THRU BOLT/NUT TB RED	10	40	EA	462.88	B
	CBB95Y	95 mm <sup>2</sup> FEED THRU BOLT/NUT TB YELLOW	10	40	EA	462.88	B
	CBB95GN	95 mm <sup>2</sup> FEED THRU BOLT/NUT TB GREEN	10	40	EA	462.88	B
ACCESSORIES	PPCBB1	PARTITION PLATE FOR CBB95/120/150/185	10	10	EA	48.86	B
	CA791/2	2 POLE SHORTING LINK FOR CBB70/CBB95	10	40	EA	155.28	B
	CA791/3	3 POLE SHORTING LINK FOR CBB70/CBB95	10	40	EA	233.05	B
	MC16	MARKER CARD 16 MM PITCH WITH 24 TAGS	1	1	PKT	515.25	B
	MC16WP	PRNTD MARKER CARD 16 MM PITCH 24 TAGS	1	1	PKT	602.22	B




CBB120  
CBB120LS

Wire Range : 16.0 - 120.0 mm<sup>2</sup>  
 Current (A) : 269 A  
 Voltage (V) : 1000 V  
 Dimensions Width (Thickness) x Length : 48 x 100 mm  
 Height with Din 35 x 7.5 mm Rail : 47.3 mm



	Part #	Description	Std. Pack	MOQ	UOM	List Price in	Group
TERMINAL BLOCK	CBB120	120 mm <sup>2</sup> FD THRU BOLT/NUT TERMINAL BLOCK	10	10	EA	580.90	B
	CBB120LS	120 mm <sup>2</sup> FEED THRU SLOTTED BOLT TERMINAL	10	40	EA	580.90	B
	CBB120BU	120 mm <sup>2</sup> FEED THRU BOLT/NUT TB BLUE	10	30	EA	638.99	B
	CBB120BK	120 mm <sup>2</sup> FEED THRU BOLT/NUT TB BLACK	10	30	EA	638.99	B
	CBB120R	120 mm <sup>2</sup> FEED THRU BOLT/NUT TB RED	10	30	EA	638.99	B
	CBB120Y	120 mm <sup>2</sup> FEED THRU BOLT/NUT TB YELLOW	10	30	EA	638.99	B
	CBB120GN	120 mm <sup>2</sup> FEED THRU BOLT/NUT TB GREEN	10	30	EA	638.99	B
ACCESSORIES	PPCBB1	PARTITION PLATE FOR CBB95/120/150/185	10	10	EA	48.86	B
	CA793/2	2 POLE SHORTING LINK FOR CBB120	10	40	EA	174.85	B
	CA793/3	3 POLE SHORTING LINK FOR CBB120	10	40	EA	262.39	B
	MC16	MARKER CARD 16 MM PITCH WITH 24 TAGS	1	1	PKT	515.25	B
	MC16WP	PRNTD MARKER CARD 16 MM PITCH 24 TAGS	1	1	PKT	602.22	B




CBB150  
CBB150LS

Wire Range : 16.0 - 150.0 mm<sup>2</sup>  
 Current (A) : 309 A  
 Voltage (V) : 1000 V  
 Dimensions Width (Thickness) x Length : 48 x 110 mm  
 Height with Din 35 x 7.5 mm Rail : 47.3 mm




	Part #	Description	Std. Pack	MOQ	UOM	List Price in	Group
TERMINAL BLOCK	CBB150	150 mm <sup>2</sup> FD THRU BOLT/NUT TERMINAL BLOCK	10	10	EA	735.00	B
	CBB150LS	150 mm <sup>2</sup> FEED THRU SLOTTED BOLT TERMINAL	10	10	EA	735.00	B
	CBB150BU	150 mm <sup>2</sup> FEED THRU BOLT/NUT TB BLUE	10	40	EA	808.50	B
	CBB150BK	150 mm <sup>2</sup> FEED THRU BOLT/NUT TB BLACK	10	40	EA	808.50	B
	CBB150R	150 mm <sup>2</sup> FEED THRU BOLT/NUT TB RED	10	40	EA	808.50	B
	CBB150Y	150 mm <sup>2</sup> FEED THRU BOLT/NUT TB YELLOW	10	40	EA	808.50	B
ACCESSORIES	PPCBB1	PARTITION PLATE FOR CBB95/120/150/185	10	10	EA	48.86	B
	CA794/2	2W SHRT LNK FR CBB150 / CBB185	10	40	EA	174.85	B
	CA794/3	3W SHRT LNK FR CBB150 / CBB185	10	40	EA	262.39	B
	MC16	MARKER CARD 16 MM PITCH WITH 24 TAGS	1	1	PKT	515.25	B
	MC16WP	PRNTD MARKER CARD 16 MM PITCH 24 TAGS	1	1	PKT	602.22	B



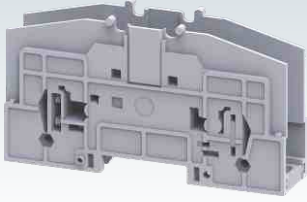
CBB185  
CBB185LS

Wire Range : 16.0 - 185.0 mm<sup>2</sup>  
 Current (A) : 353 A  
 Voltage (V) : 1000 V  
 Dimensions Width (Thickness) x Length : 48 x 110 mm  
 Height with Din 35 x 7.5 mm Rail : 47.3 mm



	Part #	Description	Std. Pack	MOQ	UOM	List Price in	Group
TERMINAL BLOCK	CBB185	185 mm <sup>2</sup> FD THRU BOLT/NUT TERMINAL BLOCK	10	10	EA	976.50	B
	CBB185LS	185 mm <sup>2</sup> FEED THRU SLOTTED BOLT TERMINAL	10	10	EA	976.50	B
	CBB185BU	185 mm <sup>2</sup> FEED THRU BOLT/NUT TB BLUE	10	30	EA	1,074.15	B
	CBB185BK	185 mm <sup>2</sup> FEED THRU BOLT/NUT TB BLACK	10	30	EA	1,074.15	B
	CBB185R	185 mm <sup>2</sup> FEED THRU BOLT/NUT TB RED	10	30	EA	1,074.15	B
	CBB185Y	185 mm <sup>2</sup> FEED THRU BOLT/NUT TB YELLOW	10	30	EA	1,074.15	B
ACCESSORIES	PPCBB1	PARTITION PLATE FOR CBB95/120/150/185	10	10	EA	48.86	B
	CA794/2	2W SHRT LNK FR CBB150 / CBB185	10	40	EA	174.85	B
	CA794/3	3W SHRT LNK FR CBB150 / CBB185	10	40	EA	262.39	B
	MC16	MARKER CARD 16 MM PITCH WITH 24 TAGS	1	1	PKT	515.25	B
	MC16WP	PRNTD MARKER CARD 16 MM PITCH 24 TAGS	1	1	PKT	602.22	B

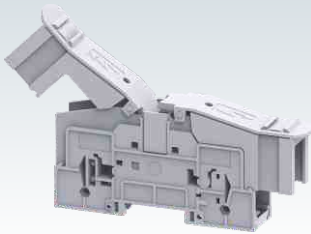
## STUD & BOLT TYPE TERMINAL BLOCKS



Wire Range : 1.5 - 50.0 mm<sup>2</sup>  
 Current (A) : 150 A  
 Voltage (V) : 1000 V  
 Dimensions Width  
 (Thickness) x Length : 25 x 113 mm  
 Height with  
 Din 35 x 7.5 mm Rail : 61.0 mm



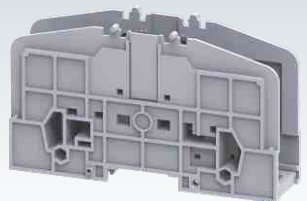
	Part #	Description	Std. Pack	MOQ	UOM	List Price in	Group
TERMINAL BLOCK	PTB35/50	50 mm <sup>2</sup> FEED THRU BARRIER TYPE BOLT TB	10	10	EA	278.10	B
	PTB35/50BU	50 mm <sup>2</sup> FEED THRU BARRIER TYP BOLT TB BLU	10	50	EA	305.91	B
	PTB35/50R	50 mm <sup>2</sup> FEED THRU BARRIER TYP BOLT TB RED	10	50	EA	305.91	B
	PTB35/50Y	50 mm <sup>2</sup> FEED THRU BARRIER TYP BOLT TB YLW	10	50	EA	305.91	B
ACCESSORIES	PSPTB35/50	PROTECTIVE SHROUD FOR PTB35/50	20	40	EA	24.26	B
	CA703/9	2 POLE SHORTING LINK KIT FOR PTB35/50	10	50	EA	97.08	B
	CA704/9	3 POLE SHORTING LINK KIT FOR PTB35/50	10	40	EA	169.53	B
	MC9	MARKER CARD 9 MM PITCH WITH 42 TAGS	1	1	PKT	633.29	B
	MC9WP	PRNTD MARKER CARD 9 MM PITCH 42 TAGS	1	1	PKT	735.04	B



Wire Range : 1.5 - 50.0 mm<sup>2</sup>  
 Current (A) : 150 A  
 Voltage (V) : 1000 V  
 Dimensions Width  
 (Thickness) x Length : 25 x 169 mm  
 Height with  
 Din 35 x 7.5 mm Rail : 68.3 mm



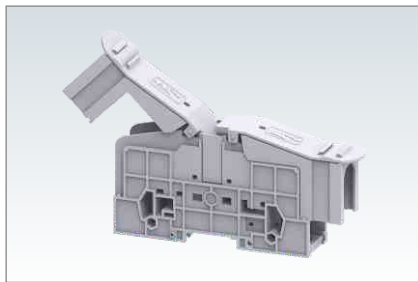
	Part #	Description	Std. Pack	MOQ	UOM	List Price in	Group
TERMINAL BLOCK	PTB35/50SH	50 mm <sup>2</sup> FT BARRIER TYPE SHROUDED BOLT TB	10	10	EA	314.30	B
	PTB35/50SHBU	50 mm <sup>2</sup> BARRIER TYPE SHROUD BOLT TB BLU	10	50	EA	345.73	B
	PTB35/50SHBK	50 mm <sup>2</sup> BARRIER TYPE SHROUD BOLT TB BLK	10	50	EA	345.73	B
	PTB35/50SHR	50 mm <sup>2</sup> BARRIER TYPE SHROUD BOLT TB RED	10	50	EA	345.73	B
	PTB35/50SHY	50 mm <sup>2</sup> BARRIER TYPE SHROUD BOLT TB YLW	10	50	EA	345.73	B
	PTB35/50SHGN	50 mm <sup>2</sup> BARRIER TYPE SHROUD BOLT TB GREEN	10	50	EA	345.73	B
ACCESSORIES	MC9	MARKER CARD 9 MM PITCH WITH 42 TAGS	1	1	PKT	633.29	B
	CA703/9	2 POLE SHORTING LINK KIT FOR PTB35/50	10	50	EA	97.08	B
	CA704/9	3 POLE SHORTING LINK KIT FOR PTB35/50	10	40	EA	169.53	B
	MC9WP	PRNTD MARKER CARD 9 MM PITCH 42 TAGS	1	1	PKT	735.04	B



Wire Range : 1.5 - 95.0 mm<sup>2</sup>  
 Current (A) : 232 A  
 Voltage (V) : 1000 V  
 Dimensions Width  
 (Thickness) x Length : 32 x 130 mm  
 Height with  
 Din 35 x 7.5 mm Rail : 76.6 mm



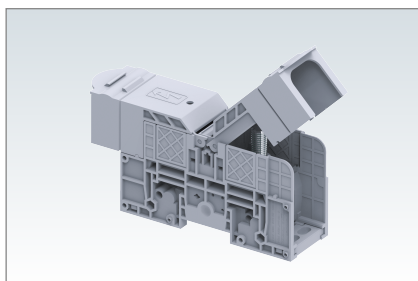
	Part #	Description	Std. Pack	MOQ	UOM	List Price in	Group
TERMINAL BLOCK	PTB70/95	95 mm <sup>2</sup> FEED THRU BARRIER TYPE BOLT TB	10	10	EA	402.30	B
	PTB70/95BU	95 mm <sup>2</sup> FEED THRU BARRIER TYP BOLT TB BLU	10	40	EA	442.53	B
	PTB70/95BK	95 mm <sup>2</sup> FEED THRU BARRIER TYP BOLT TB BLK	10	40	EA	442.53	B
	PTB70/95R	95 mm <sup>2</sup> FEED THRU BARRIER TYP BOLT TB RED	10	40	EA	442.53	B
	PTB70/95Y	95 mm <sup>2</sup> FEED THRU BARRIER TYP BOLT TB YLW	10	40	EA	442.53	B
ACCESSORIES	PSPTB70/95	PROTECTIVE SHROUD FR PTB70/95	20	40	EA	37.08	B
	CA703/11	2 POLE SHORTING LINK KIT FOR PTB70/95	10	20	EA	128.24	B
	MC9	MARKER CARD 9 MM PITCH WITH 42 TAGS	1	1	PKT	633.29	B
	MC9WP	PRNTD MARKER CARD 9 MM PITCH 42 TAGS	1	1	PKT	735.04	B



Wire Range : 1.5 - 95.0 mm<sup>2</sup>  
 Current (A) : 232 A  
 Voltage (V) : 1000 V  
 Dimensions Width (Thickness) x Length : 32 x 192 mm  
 Height with Din 35 x 7.5 mm Rail : 84.5 mm



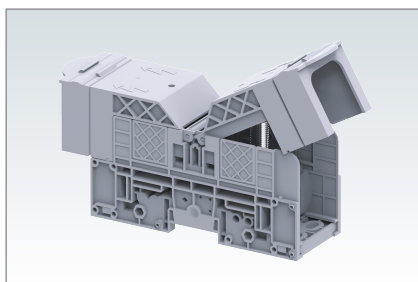
	Part #	Description	Std. Pack	MOQ	UOM	List Price in	Group
TERMINAL BLOCK	PTB70/95SH	95 mm <sup>2</sup> FT BARRIER TYPE SHROUDED BOLT TB	10	10	EA	484.10	B
	PTB70/95SHBU	95 mm <sup>2</sup> BARRIER TYPE SHROUD BOLT TB BLU	10	40	EA	532.51	B
	PTB70/95SHBK	95 mm <sup>2</sup> BARRIER TYPE SHROUD BOLT TB BLK	10	40	EA	532.51	B
	PTB70/95SHR	95 mm <sup>2</sup> BARRIER TYPE SHROUD BOLT TB RED	10	40	EA	532.51	B
	PTB70/95SHY	95 mm <sup>2</sup> BARRIER TYPE SHROUD BOLT TB YLW	10	40	EA	532.51	B
ACCESSORIES	MC9	MARKER CARD 9 MM PITCH WITH 42 TAGS	1	1	PKT	633.29	B
	CA703/11	2 POLE SHORTING LINK KIT FOR PTB70/95	10	20	EA	128.24	B
	MC9WP	PRNTD MARKER CARD 9 MM PITCH 42 TAGS	1	1	PKT	735.04	B



Wire Range : 6 - 150.0 mm<sup>2</sup>  
 Current (A) : 310 A  
 Voltage (V) : 1000 V  
 Dimensions Width (Thickness) x Length : 42 x 186 mm  
 Height with Din 35 x 7.5 mm Rail : 79.8 mm



	Part #	Description	Std. Pack	MOQ	UOM	List Price in	Group
TERMINAL BLOCK	PTB120/150SH	150 mm <sup>2</sup> FT BARRIER TYPE SHROUDED BOLT TB	5	10	EA	798.00	B
ACCESSORIES	MC9	MARKER CARD 9 MM PITCH WITH 42 TAGS	1	1	PKT	633.29	B
	MC9WP	PRNTD MARKER CARD 9 MM PITCH 42 TAGS	1	1	PKT	735.04	B

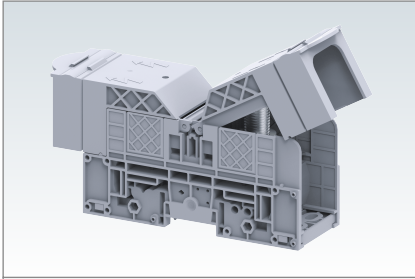


Wire Range : 10.0 - 240.0 mm<sup>2</sup>  
 Current (A) : 420 A  
 Voltage (V) : 1000 V  
 Dimensions Width (Thickness) x Length : 55 x 152 mm  
 Height with Din 35 x 7.5 mm Rail : 87.4 mm



	Part #	Description	Std. Pack	MOQ	UOM	List Price in	Group
TERMINAL BLOCK	PTB185/240SH	240 mm <sup>2</sup> FT BARRIER TYPE SHROUDED BOLT TB	2	2	EA	1,260.00	B
ACCESSORIES	MC16	MARKER CARD 16 MM PITCH WITH 24 TAGS	1	1	PKT	515.25	B
	MC16WP	PRNTD MARKER CARD 16 MM PITCH 24 TAGS	1	1	PKT	602.22	B

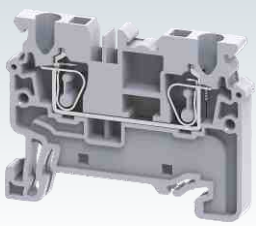
## STUD & BOLT TYPE TERMINAL BLOCKS







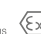




Wire Range : 10 - 300 mm<sup>2</sup>  
 Current (A) : 520 A  
 Voltage (V) : 1000 V  
 Dimensions Width  
 (Thickness) x Length : 55 x 152 mm  
 Height with  
 Din 35 x 7.5 mm Rail : 87.4 mm



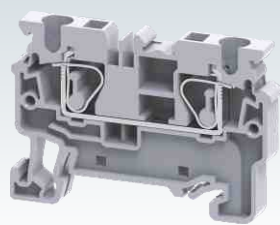
	Part #	Description	Std. Pack	MOQ	UOM	List Price in	Group
TERMINAL BLOCK	PTB300SH	300 mm <sup>2</sup> FT BARRIER TYPE SHROUDED BOLT TB	2	2	EA	1,627.50	B
ACCESSORIES	MC16	MARKER CARD 16 MM PITCH WITH 24 TAGS	1	1	PKT	515.25	B
	MC16WP	PRNTD MARKER CARD 16 MM PITCH 24 TAGS	1	1	PKT	602.22	B







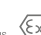




Wire Range : 0.2 - 2.5 mm<sup>2</sup>  
 Current (A) : 24 A  
 Voltage (V) : 1000 V  
 Dimensions Width (Thickness) x Length : 5 x 50 mm  
 Height with Din 35 x 7.5 mm Rail : 38.2 mm

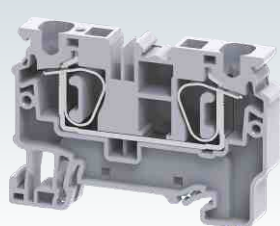
	Part #	Description	Std. Pack	MOQ	UOM	List Price in	Group
TERMINAL BLOCK	CX2.5	2.5 mm <sup>2</sup> FEED THRU SPRING CLAMP TERMINAL	100	100	EA	14.40	A
	CX2.5BU	2.5 mm <sup>2</sup> FEED THRU SPRING CLAMP TB BLUE	100	300	EA	15.84	A
	CX2.5BK	2.5 mm <sup>2</sup> FEED THRU SPRING CL TB BLK	100	300	EA	15.84	A
	CX2.5R	2.5 mm <sup>2</sup> FEED THRU SPRING CL TB RED	100	300	EA	15.84	A
	CX2.5Y	2.5 mm <sup>2</sup> FEED THRU SPR CL TB YELLOW	100	300	EA	15.84	A
	CX2.5GN	2.5 mm <sup>2</sup> FEED THRU SP CL TERMINAL GRN	100	300	EA	15.84	A
ACCESSORIES	EPCX2.5	END PLATE FOR CX2.5/CXG2.5	50	50	EA	7.61	A
	PPCX4	PARTITION PLATE FOR CX4	50	50	EA	11.43	A
	JX2.5/2	2 POLE SHRT LNK FR 5MM WIDE SP CL TB	100	100	EA	13.28	A
	JX2.5/3	3 POLE SHRT LNK FR 5MM WIDE SP CL TB	50	50	EA	22.94	A
	JX2.5/4	4 POLE SHRT LNK FR 5MM WIDE SP CL TB	50	50	EA	39.36	A
	JX2.5/10	10 POLE SHRT LNK FR 5MM WIDE SP CL TB	10	10	EA	101.91	A
	MC5	MARKER CARD 5 MM PITCH WITH 84 TAGS	1	1	PKT	1,014.44	B
MC5WP	PRNTD MARKER CARD 5 MM PITCH 84 TAGS	1	1	PKT	1,174.64	B	












Wire Range : 0.2 - 4.0 mm<sup>2</sup>  
 Current (A) : 32 A  
 Voltage (V) : 1000 V  
 Dimensions Width (Thickness) x Length : 6 x 55 mm  
 Height with Din 35 x 7.5 mm Rail : 38.2 mm

	Part #	Description	Std. Pack	MOQ	UOM	List Price in	Group
TERMINAL BLOCK	CX4	4 mm <sup>2</sup> FEED THRU SPRING CL TERMINAL	100	100	EA	24.50	A
	CX4BU	4 mm <sup>2</sup> FEED THRU SPRING CLAMP TB BLUE	100	300	EA	26.95	A
	CX4BK	4 mm <sup>2</sup> FEED THRU SPRING CL TB BLACK	100	300	EA	26.95	A
	CX4R	4 mm <sup>2</sup> FEED THRU SPRING CLAMP TB RED	100	300	EA	26.95	A
	CX4Y	4 mm <sup>2</sup> FEED THRU SPRING CL TB YELLOW	100	300	EA	26.95	A
	CX4GN	4 mm <sup>2</sup> FEED THRU SPRING CL TB GREEN	100	300	EA	26.95	A
ACCESSORIES	EPCX4	END PLATE FOR CX4 & CXG4	50	50	EA	9.12	A
	PPCX4	PARTITION PLATE FOR CX4	50	50	EA	11.43	A
	JX4/2	2 POLE SHRT LNK FR 6MM WIDE SP CL TB	100	100	EA	22.58	A
	JX4/3	3 POLE SHRT LNK FR 6MM WIDE SP CL TB	50	50	EA	38.76	A
	JX4/4	4 POLE SHRT LNK FR 6MM WIDE SP CL TB	50	50	EA	58.32	A
	JX4/10	10 POLE SHRT LNK FR 6MM WIDE SP CL TB	10	10	EA	136.09	A
	MC6	MARKER CARD 6 MM PITCH WITH 72 TAGS	1	1	PKT	866.71	B
MC6WP	PRNTD MARKER CARD 6 MM PITCH 72 TAGS	1	1	PKT	1,000.81	B	

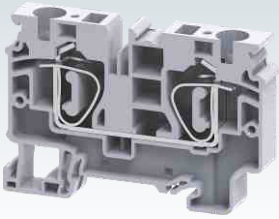


Wire Range : 0.2 - 6.0 mm<sup>2</sup>  
 Current (A) : 41 A  
 Voltage (V) : 1000 V  
 Dimensions Width (Thickness) x Length : 8 x 62.7 mm  
 Height with Din 35 x 7.5 mm Rail : 43 mm












	Part #	Description	Std. Pack	MOQ	UOM	List Price in	Group
TERMINAL BLOCK	CX6	6 mm <sup>2</sup> FEED THRU SPRING CLAMP TERMINAL	100	100	EA	51.50	A
	CX6BU	6 mm <sup>2</sup> FEED THRU SPRING CLAMP TB BLUE	100	300	EA	56.65	A
	CX6BK	6 mm <sup>2</sup> FEED THRU SPRING CL TB BLACK	100	300	EA	56.65	A
	CX6R	6 mm <sup>2</sup> FEED THRU SPRING CLAMP TB RED	100	300	EA	56.65	A
	CX6Y	6 mm <sup>2</sup> FEED THRU SPRING CL TB YELLOW	100	300	EA	56.65	A
	CX6GN	6 mm <sup>2</sup> FEED THRU SPRING CLAMP TB GREEN	100	300	EA	56.65	A
ACCESSORIES	EPCX6	END PLATE FOR CX6 & CXG6	50	50	EA	10.97	A
	PPCX10	PARTITION PLATE FOR CX10	20	20	EA	16.29	A
	JX6/2	2 POLE SHRT LNK FR 8MM WIDE SP CL TB	100	100	EA	34.17	A
	JX6/3	3 POLE SHRT LNK FR 8MM WIDE SP CL TB	50	50	EA	58.32	A
	JX6/4	4 POLE SHRT LNK FR 8MM WIDE SP CL TB	50	50	EA	81.63	A
	JX6/10	10 POLE SHRT LNK FR 8MM WIDE SP CL TB	10	10	EA	194.17	A
	MC8	MARKER CARD 8 MM PITCH WITH 48 TAGS	1	1	PKT	660.54	B
MC8WP	PRNTD MARKER CARD 8 MM PITCH 48 TAGS	1	1	PKT	767.38	B	

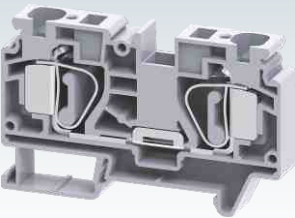
## CX SERIES SPRING CLAMP TERMINAL BLOCKS




**Wire Range** : 0.2 - 10.0 mm<sup>2</sup>  
**Current (A)** : 57 A  
**Voltage (V)** : 1000 V  
**Dimensions Width (Thickness) x Length** : 10 x 72.4 mm  
**Height with Din 35 x 7.5 mm Rail** : 49.3 mm



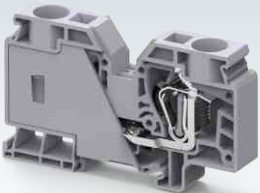
	Part #	Description	Std. Pack	MOQ	UOM	List Price in	Group
TERMINAL BLOCK	CX10	10 mm <sup>2</sup> FEED THRU SPRING CLAMP TERMINAL	50	50	EA	97.70	A
	CX10BU	10 mm <sup>2</sup> FEED THRU SPRING CLAMP TB BLUE	50	100	EA	107.47	A
	CX10BK	10 mm <sup>2</sup> FEED THRU SPRING CLAMP TB BLACK	50	100	EA	107.47	A
	CX10R	10 mm <sup>2</sup> FEED THRU SPRING CLAMP TB RED	50	100	EA	107.47	A
	CX10Y	10 mm <sup>2</sup> FEED THRU SPRING CLAMP TB YELLOW	50	100	EA	107.47	A
	CX10GN	10 mm <sup>2</sup> FEED THRU SPRING CLAMP TB GREEN	50	100	EA	107.47	A
ACCESSORIES	EPCX10	END PLATE FOR CX10 & CXG10	50	50	EA	11.20	A
	PPCX10	PARTITION PLATE FOR CX10	20	20	EA	16.29	A
	JX10/2	2 POLE SHRT LNK FR 10MM WIDE SP CL TB	20	20	EA	49.75	A
	MC10	MARKER CARD 10 MM PITCH WITH 42 TAGS	1	1	PKT	633.29	B
	MC10WP	PRNTD MARKER CARD 10 MM PITCH 42 TAGS	1	1	PKT	735.04	B




**Wire Range** : 1.5 - 16.0 mm<sup>2</sup>  
**Current (A)** : 76 A  
**Voltage (V)** : 800 V  
**Dimensions Width (Thickness) x Length** : 12 x 82 mm  
**Height with Din 35 x 7.5 mm Rail** : 51.2 mm



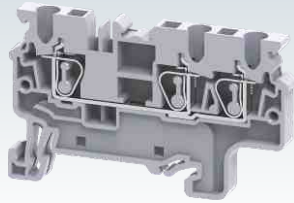
	Part #	Description	Std. Pack	MOQ	UOM	List Price in	Group
TERMINAL BLOCK	CSC16T	16 mm <sup>2</sup> FEED THRU SPRING CLAMP TERMINAL	50	50	EA	130.20	A
	CSC16TBU	16 mm <sup>2</sup> FEED THRU SPRING CLAMP TB BLUE	50	100	EA	143.22	A
	CSC16TBK	16 mm <sup>2</sup> FEED THRU SPRING CLAMP TB BLACK	50	100	EA	143.22	A
	CSC16TR	16 mm <sup>2</sup> FEED THRU SPRING CLAMP TB RED	50	100	EA	143.22	A
	CSC16TY	16 mm <sup>2</sup> FEED THRU SPRING CLAMP TB YELLOW	50	100	EA	143.22	A
	CSC16TGN	16 mm <sup>2</sup> FEED THRU SPRING CLAMP TB GREEN	50	100	EA	143.22	A
ACCESSORIES	EPCSC16T	END PLATE FOR CSC16T	50	50	EA	18.25	A
	CA801/5	2P SHRT LINK FR 16mm WIDE SPRNG CLAMP TB	100	200	EA	93.34	A
	MC12	MARKER CARD 12 MM PITCH WITH 36 TAGS	1	1	PKT	651.88	B
	MC12WP	PRNTD MARKER CARD 12 MM PITCH 36 TAGS	1	1	PKT	747.52	B



**Wire Range** : 6 - 35 mm<sup>2</sup>  
**Current (A)** : 125 A  
**Voltage (V)** : 800 V  
**Dimensions Width (Thickness) x Length** : 16 x 100 mm  
**Height with Din 35 x 7.5 mm Rail** : 60.3 mm



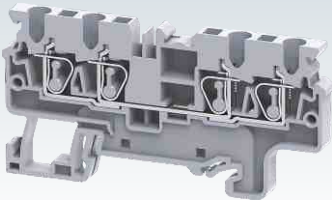
	Part #	Description	Std. Pack	MOQ	UOM	List Price in	Group
TERMINAL BLOCK	CX35	35 mm <sup>2</sup> FEED THRU SPRING CLAMP TB GRY	15	15	EA	435.90	A
	CX35BU	35 mm <sup>2</sup> FEED THRU SPRING CLAMP TB BLU	15	15	EA	479.49	A
ACCESSORIES	CA801/5	2P SHRT LINK FR 16mm WIDE SPRNG CLAMP TB	100	200	EA	93.34	A
	MC16	MARKER CARD 16 MM PITCH WITH 24 TAGS	1	1	PKT	515.25	B



Wire Range : 0.2 - 2.5 mm<sup>2</sup>  
 Current (A) : 24 A  
 Voltage (V) : 1000 V  
 Dimensions Width (Thickness) x Length : 5 x 60.5 mm  
 Height with Din 35 x 7.5 mm Rail : 38.2 mm



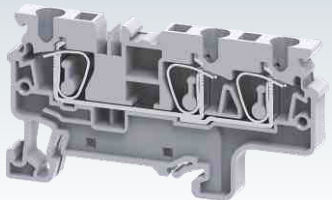
	Part #	Description	Std. Pack	MOQ	UOM	List Price in	Group
TERMINAL BLOCK	CX2.5/3	2.5 mm <sup>2</sup> FEED THRU SPR CL 3 WIRE TB	100	100	EA	34.10	A
	CX2.5/3BU	2.5 mm <sup>2</sup> FEED THRU SP CL 3 WIRE TB BLUE	100	200	EA	37.51	A
	CX2.5/3BK	2.5 mm <sup>2</sup> FEED THRU SP CL 3 WIRE TB BLACK	100	200	EA	37.51	A
	CX2.5/3R	2.5 mm <sup>2</sup> FEED THRU SP CL 3 WIRE TB RED	100	200	EA	37.51	A
	CX2.5/3Y	2.5 mm <sup>2</sup> FEED THRU SP CL 3 WIRE TB YELLOW	100	200	EA	37.51	A
	CX2.5/3GN	2.5 mm <sup>2</sup> FEED THRU SPR CL 3 WIRE TB GREEN	100	200	EA	37.51	A
ACCESSORIES	EPCX2.5/3	END PLATE FOR CX2.5/3 & CXG2.5/3	50	50	EA	9.47	A
	PPCX4/3	PARTITION PLATE FOR CX4/3	50	50	EA	14.21	A
	JX2.5/2	2 POLE SHRT LNK FR 5MM WIDE SP CL TB	100	100	EA	13.28	A
	JX2.5/3	3 POLE SHRT LNK FR 5MM WIDE SP CL TB	50	50	EA	22.94	A
	JX2.5/4	4 POLE SHRT LNK FR 5MM WIDE SP CL TB	50	50	EA	39.36	A
	JX2.5/10	10 POLE SHRT LNK FR 5MM WIDE SP CL TB	10	10	EA	101.91	A
	MC5	MARKER CARD 5 MM PITCH WITH 84 TAGS	1	1	PKT	1,014.44	B
	MC5WP	PRNTD MARKER CARD 5 MM PITCH 84 TAGS	1	1	PKT	1,174.64	B



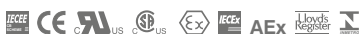
Wire Range : 0.2 - 2.5 mm<sup>2</sup>  
 Current (A) : 24 A  
 Voltage (V) : 1000 V  
 Dimensions Width (Thickness) x Length : 5 x 73 mm  
 Height with Din 35 x 7.5 mm Rail : 38.2 mm



	Part #	Description	Std. Pack	MOQ	UOM	List Price in	Group
TERMINAL BLOCK	CX2.5/4	2.5 mm <sup>2</sup> FEED THRU SPRING CLAMP 4 WIRE TB	100	100	EA	36.20	A
	CX2.5/4BU	2.5 mm <sup>2</sup> FEED THRU SP CL 4 WIRE TB BLUE	100	200	EA	39.82	A
	CX2.5/4BK	2.5 mm <sup>2</sup> FEED THRU SP CL 4 WIRE TB BLACK	100	200	EA	39.82	A
	CX2.5/4R	2.5 mm <sup>2</sup> FEED THRU SP CL 4 WIRE TB RED	100	200	EA	39.82	A
	CX2.5/4Y	2.5 mm <sup>2</sup> FEED THRU SP CL 4 WIRE TB YELLOW	100	200	EA	39.82	A
	CX2.5/4GN	2.5 mm <sup>2</sup> FEED THRU SP CL 4 WIRE TB GREEN	100	200	EA	39.82	A
ACCESSORIES	EPCX2.5/4	END PLATE FOR CX2.5/4&CXK2.5/4&CXG2.5/4	50	50	EA	9.93	A
	PPCX4/4	PARTITION PLATE FOR CX4/4	50	50	EA	18.83	A
	JX2.5/2	2 POLE SHRT LNK FR 5MM WIDE SP CL TB	100	100	EA	13.28	A
	JX2.5/3	3 POLE SHRT LNK FR 5MM WIDE SP CL TB	50	50	EA	22.94	A
	JX2.5/4	4 POLE SHRT LNK FR 5MM WIDE SP CL TB	50	50	EA	39.36	A
	JX2.5/10	10 POLE SHRT LNK FR 5MM WIDE SP CL TB	10	10	EA	101.91	A
	MC5	MARKER CARD 5 MM PITCH WITH 84 TAGS	1	1	PKT	1,014.44	B
	MC5WP	PRNTD MARKER CARD 5 MM PITCH 84 TAGS	1	1	PKT	1,174.64	B

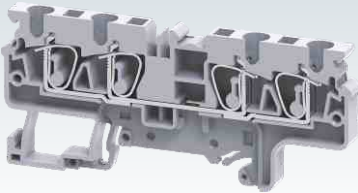


Wire Range : 0.2 - 4.0 mm<sup>2</sup>  
 Current (A) : 32 A  
 Voltage (V) : 1000 V  
 Dimensions Width (Thickness) x Length : 6 x 70.8 mm  
 Height with Din 35 x 7.5 mm Rail : 38 mm












	Part #	Description	Std. Pack	MOQ	UOM	List Price in	Group
TERMINAL BLOCK	CX4/3	4SQ MM SP CL MODULAR TB (3 WIRE)	50	50	EA	46.60	A
	CX4/3BU	4SQ MM SP CL MODULAR TB (3 WIRE) BLU	50	200	EA	51.26	A
	CX4/3BK	4 mm <sup>2</sup> FEED THRU SP CL 3 WIRE TB BLACK	50	200	EA	51.26	A
	CX4/3GN	4 mm <sup>2</sup> FEED THRU SP CL 3 WIRE TB GRN	50	200	EA	51.26	A
ACCESSORIES	EPCX4/3	END PLATE FOR CX4/3 & CXG4/3	50	50	EA	11.43	A
	PPCX4/3	PARTITION PLATE FOR CX4/3	50	50	EA	14.21	A
	JX4/2	2 POLE SHRT LNK FR 6MM WIDE SP CL TB	100	100	EA	22.58	A
	JX4/3	3 POLE SHRT LNK FR 6MM WIDE SP CL TB	50	50	EA	38.76	A
	JX4/4	4 POLE SHRT LNK FR 6MM WIDE SP CL TB	50	50	EA	58.32	A
	JX4/10	10 POLE SHRT LNK FR 6MM WIDE SP CL TB	10	10	EA	136.09	A
	MC6	MARKER CARD 6 MM PITCH WITH 72 TAGS	1	1	PKT	866.71	B
	MC6WP	PRNTD MARKER CARD 6 MM PITCH 72 TAGS	1	1	PKT	1,000.81	B

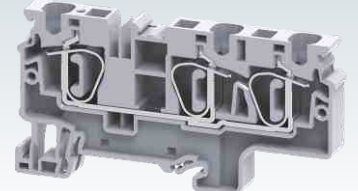
## CX SERIES SPRING CLAMP TERMINAL BLOCKS












Wire Range : 0.2 - 4.0 mm<sup>2</sup>  
 Current (A) : 32 A  
 Voltage (V) : 1000 V  
 Dimensions Width (Thickness) x Length : 6 x 84.5 mm  
 Height with Din 35 x 7.5 mm Rail : 38 mm

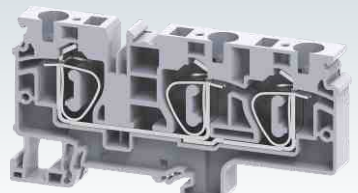
	Part #	Description	Std. Pack	MOQ	UOM	List Price in	Group
TERMINAL BLOCK	CX4/4	4SQ MM SP CL MODULAR TB (4 WIRE)	50	50	EA	54.60	A
	CX4/4BU	4SQ MM SP CL MODULAR TB (4 WIRE) BLU	50	200	EA	60.06	A
	CX4/4BK	4 mm <sup>2</sup> FEED THRU SP CL 4 WIRE TB BLACK	50	200	EA	60.06	A
	CX4/4R	4 mm <sup>2</sup> FEED THRU SP CL 4 WIRE TB RED	50	200	EA	60.06	A
ACCESSORIES	EPCX4/4	END PLATE FOR CX4/4 & CXG4/4	50	50	EA	13.63	A
	PPCX4/4	PARTITION PLATE FOR CX4/4	50	50	EA	18.83	A
	JX4/2	2 POLE SHRT LNK FR 6MM WIDE SP CL TB	100	100	EA	22.58	A
	JX4/3	3 POLE SHRT LNK FR 6MM WIDE SP CL TB	50	50	EA	38.76	A
	JX4/4	4 POLE SHRT LNK FR 6MM WIDE SP CL TB	50	50	EA	58.32	A
	JX4/10	10 POLE SHRT LNK FR 6MM WIDE SP CL TB	10	10	EA	136.09	A
	MC6	MARKER CARD 6 MM PITCH WITH 72 TAGS	1	1	PKT	866.71	B
MC6WP	PRNTD MARKER CARD 6 MM PITCH 72 TAGS	1	1	PKT	1,000.81	B	









Wire Range : 0.2 - 6.0 mm<sup>2</sup>  
 Current (A) : 41 A  
 Voltage (V) : 1000 V  
 Dimensions Width (Thickness) x Length : 8 x 82.2 mm  
 Height with Din 35 x 7.5 mm Rail : 43 mm

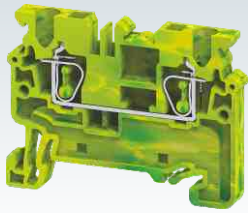
	Part #	Description	Std. Pack	MOQ	UOM	List Price in	Group
TERMINAL BLOCK	CX6/3	6 mm <sup>2</sup> FEED THRU SPRING CLAMP 3 WIRE TB	50	50	EA	106.10	A
	CX6/3BU	6 mm <sup>2</sup> FEED THRU SP CL 3 WIRE TB BLUE	50	100	EA	116.71	A
	CX6/3BK	6 mm <sup>2</sup> FEED THRU SP CLMP 3 WIRE TB BLACK	50	100	EA	116.71	A
	CX6/3R	6 mm <sup>2</sup> FEED THRU SP CLMP 3 WIRE TB RED	50	100	EA	116.71	A
	CX6/3Y	6 mm <sup>2</sup> FEED THRU SP CLMP 3 WIRE TB YELLOW	50	100	EA	116.71	A
ACCESSORIES	EPCX6/3	END PLATE FOR CX6/3 & CXG6/3	50	50	EA	13.05	A
	JX6/2	2 POLE SHRT LNK FR 8MM WIDE SP CL TB	100	100	EA	34.17	A
	JX6/3	3 POLE SHRT LNK FR 8MM WIDE SP CL TB	50	50	EA	58.32	A
	JX6/4	4 POLE SHRT LNK FR 8MM WIDE SP CL TB	50	50	EA	81.63	A
	JX6/10	10 POLE SHRT LNK FR 8MM WIDE SP CL TB	10	10	EA	194.17	A
	MC8	MARKER CARD 8 MM PITCH WITH 48 TAGS	1	1	PKT	660.54	B
	MC8WP	PRNTD MARKER CARD 8 MM PITCH 48 TAGS	1	1	PKT	767.38	B



Wire Range : 0.2 - 10.0 mm<sup>2</sup>  
 Current (A) : 57 A  
 Voltage (V) : 1000 V  
 Dimensions Width (Thickness) x Length : 10 x 97.6 mm  
 Height with Din 35 x 7.5 mm Rail : 49.3 mm

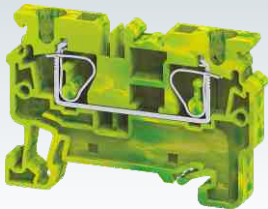
	Part #	Description	Std. Pack	MOQ	UOM	List Price in	Group
TERMINAL BLOCK	CX10/3	10 mm <sup>2</sup> FEED THRU SPRING CLAMP 3 WIRE TB	50	50	EA	164.90	A
	CX10/3BU	10 mm <sup>2</sup> FEED THRU SP CLAMP 3 WIRE TB BLUE	50	100	EA	181.39	A
ACCESSORIES	EPCX10/3	END PLATE FOR CX10/3 & CXG10/3	20	20	EA	13.86	A
	JX10/2	2 POLE SHRT LNK FR 10MM WIDE SP CL TB	20	20	EA	49.75	A
	MC8	MARKER CARD 8 MM PITCH WITH 48 TAGS	1	1	PKT	660.54	B
	MC8WP	PRNTD MARKER CARD 8 MM PITCH 48 TAGS	1	1	PKT	767.38	B



Wire Range : 0.2 - 2.5 mm<sup>2</sup>  
 Dimensions Width (Thickness) x Length : 5 x 50 mm  
 Height with Din 35 x 7.5 mm Rail : 38.2 mm



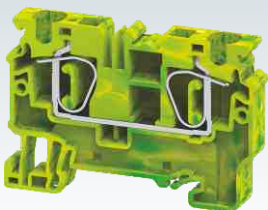
	Part #	Description	Std. Pack	MOQ	UOM	List Price in	Group
TERMINAL BLOCK	CXG2.5	2.5 mm <sup>2</sup> SPRING CLAMP GROUNDING TB	100	100	EA	100.80	A
ACCESSORIES	EPCX2.5	END PLATE FOR CX2.5/CXG2.5	50	50	EA	7.61	A
	PPCX4	PARTITION PLATE FOR CX4	50	50	EA	11.43	A
	JX2.5/2	2 POLE SHRT LNK FR 5MM WIDE SP CL TB	100	100	EA	13.28	A
	JX2.5/3	3 POLE SHRT LNK FR 5MM WIDE SP CL TB	50	50	EA	22.94	A
	JX2.5/4	4 POLE SHRT LNK FR 5MM WIDE SP CL TB	50	50	EA	39.36	A
	JX2.5/10	10 POLE SHRT LNK FR 5MM WIDE SP CL TB	10	10	EA	101.91	A
	MC5	MARKER CARD 5 MM PITCH WITH 84 TAGS	1	1	PKT	1,014.44	B
MC5WP	PRNTD MARKER CARD 5 MM PITCH 84 TAGS	1	1	PKT	1,174.64	B	



Wire Range : 0.2 - 4.0 mm<sup>2</sup>  
 Dimensions Width (Thickness) x Length : 6 x 54.8 mm  
 Height with Din 35 x 7.5 mm Rail : 38.2 mm



	Part #	Description	Std. Pack	MOQ	UOM	List Price in	Group
TERMINAL BLOCK	CXG4	4 mm <sup>2</sup> SPRING CLAMP GROUNDING TB	100	100	EA	102.90	A
ACCESSORIES	EPCX4	END PLATE FOR CX4 & CXG4	50	50	EA	9.12	A
	PPCX4	PARTITION PLATE FOR CX4	50	50	EA	11.43	A
	JX4/2	2 POLE SHRT LNK FR 6MM WIDE SP CL TB	100	100	EA	22.58	A
	JX4/3	3 POLE SHRT LNK FR 6MM WIDE SP CL TB	50	50	EA	38.76	A
	JX4/4	4 POLE SHRT LNK FR 6MM WIDE SP CL TB	50	50	EA	58.32	A
	JX4/10	10 POLE SHRT LNK FR 6MM WIDE SP CL TB	10	10	EA	136.09	A
	MC6	MARKER CARD 6 MM PITCH WITH 72 TAGS	1	1	PKT	866.71	B
MC6WP	PRNTD MARKER CARD 6 MM PITCH 72 TAGS	1	1	PKT	1,000.81	B	

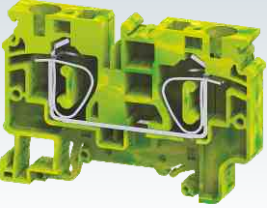


Wire Range : 0.2 - 6.0 mm<sup>2</sup>  
 Dimensions Width (Thickness) x Length : 8 x 62.1 mm  
 Height with Din 35 x 7.5 mm Rail : 42.2 mm













	Part #	Description	Std. Pack	MOQ	UOM	List Price in	Group
TERMINAL BLOCK	CXG6	6 mm <sup>2</sup> SPRING CLAMP GROUNDING TB	100	100	EA	199.50	A
ACCESSORIES	EPCX6	END PLATE FOR CX6 & CXG6	50	50	EA	10.97	A
	PPCX10	PARTITION PLATE FOR CX10	20	20	EA	16.29	A
	JX6/2	2 POLE SHRT LNK FR 8MM WIDE SP CL TB	100	100	EA	34.17	A
	JX6/3	3 POLE SHRT LNK FR 8MM WIDE SP CL TB	50	50	EA	58.32	A
	JX6/4	4 POLE SHRT LNK FR 8MM WIDE SP CL TB	50	50	EA	81.63	A
	JX6/10	10 POLE SHRT LNK FR 8MM WIDE SP CL TB	10	10	EA	194.17	A
	MC8	MARKER CARD 8 MM PITCH WITH 48 TAGS	1	1	PKT	660.54	B
MC8WP	PRNTD MARKER CARD 8 MM PITCH 48 TAGS	1	1	PKT	767.38	B	

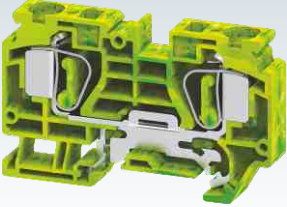
## CX SERIES SPRING CLAMP TERMINAL BLOCKS





Wire Range : 0.2 - 10.0 mm<sup>2</sup>  
 Dimensions Width (Thickness) x Length : 10 x 72.4 mm  
 Height with Din 35 x 7.5 mm Rail : 49.3 mm

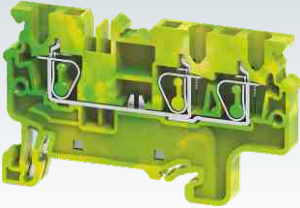
	Part #	Description	Std. Pack	MOQ	UOM	List Price in	Group
TERMINAL BLOCK	CXG10	10 mm <sup>2</sup> SPRING CLAMP GROUNDING TB	50	50	EA	252.00	A
ACCESSORIES	EPCX10	END PLATE FOR CX10 & CXG10	50	50	EA	11.20	A
	PPCX10	PARTITION PLATE FOR CX10	20	20	EA	16.29	A
	JX10/2	2 POLE SHRT LNK FR 10MM WIDE SP CL TB	20	20	EA	49.75	A
	MC10	MARKER CARD 10 MM PITCH WITH 42 TAGS	1	1	PKT	633.29	B
	MC10WP	PRNTD MARKER CARD 10 MM PITCH 42 TAGS	1	1	PKT	735.04	B













Wire Range : 1.5 - 16.0 mm<sup>2</sup>  
 Dimensions Width (Thickness) x Length : 12 x 82 mm  
 Height with Din 35 x 7.5 mm Rail : 51.2 mm

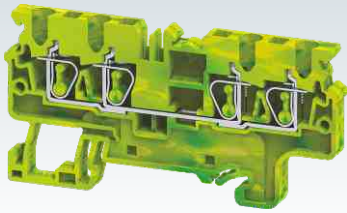
	Part #	Description	Std. Pack	MOQ	UOM	List Price in	Group
TERMINAL BLOCK	CSCG16T	16 mm <sup>2</sup> FEED THRU SP CL GROUNDING TB	50	100	EA	317.10	A
ACCESSORIES	EPCSC16T	END PLATE FOR CSC16T	50	50	EA	18.25	A
	MC12	MARKER CARD 12 MM PITCH WITH 36 TAGS	1	1	PKT	651.88	B
	MC12WP	PRNTD MARKER CARD 12 MM PITCH 36 TAGS	1	1	PKT	747.52	B



Wire Range : 0.2 - 2.5 mm<sup>2</sup>  
 Dimensions Width (Thickness) x Length : 5 x 60.5 mm  
 Height with Din 35 x 7.5 mm Rail : 38.2 mm

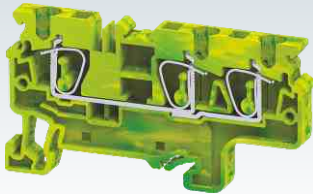
	Part #	Description	Std. Pack	MOQ	UOM	List Price in	Group
TERMINAL BLOCK	CXG2.5/3	2.5 mm <sup>2</sup> SPRING CL 3 WIRE GROUND TB	100	100	EA	144.00	A
ACCESSORIES	EPCX2.5/3	END PLATE FOR CX2.5/3 & CXG2.5/3	50	50	EA	9.47	A
	PPCX4/3	PARTITION PLATE FOR CX4/3	50	50	EA	14.21	A
	JX2.5/2	2 POLE SHRT LNK FR 5MM WIDE SP CL TB	100	100	EA	13.28	A
	JX2.5/3	3 POLE SHRT LNK FR 5MM WIDE SP CL TB	50	50	EA	22.94	A
	JX2.5/4	4 POLE SHRT LNK FR 5MM WIDE SP CL TB	50	50	EA	39.36	A
	JX2.5/10	10 POLE SHRT LNK FR 5MM WIDE SP CL TB	10	10	EA	101.91	A
	MC5	MARKER CARD 5 MM PITCH WITH 84 TAGS	1	1	PKT	1,014.44	B
	MC5WP	PRNTD MARKER CARD 5 MM PITCH 84 TAGS	1	1	PKT	1,174.64	B



Wire Range : 0.2 - 2.5 mm<sup>2</sup>  
 Dimensions Width (Thickness) x Length : 5 x 74.7 mm  
 Height with Din 35 x 7.5 mm Rail : 38.2 mm



	Part #	Description	Std. Pack	MOQ	UOM	List Price in	Group
TERMINAL BLOCK	CXG2.5/4	2.5 mm <sup>2</sup> SPRING CLAMP 4 WIRE GROUND TB	100	100	EA	140.50	A
ACCESSORIES	EPCX2.5/4	END PLATE FOR CX2.5/4&CXK2.5/4&CXG2.5/4	50	50	EA	9.93	A
	PPCX4/4	PARTITION PLATE FOR CX4/4	50	50	EA	18.83	A
	JX2.5/2	2 POLE SHRT LNK FR 5MM WIDE SP CL TB	100	100	EA	13.28	A
	JX2.5/3	3 POLE SHRT LNK FR 5MM WIDE SP CL TB	50	50	EA	22.94	A
	JX2.5/4	4 POLE SHRT LNK FR 5MM WIDE SP CL TB	50	50	EA	39.36	A
	JX2.5/10	10 POLE SHRT LNK FR 5MM WIDE SP CL TB	10	10	EA	101.91	A
	MC5	MARKER CARD 5 MM PITCH WITH 84 TAGS	1	1	PKT	1,014.44	B
MC5WP	PRNTD MARKER CARD 5 MM PITCH 84 TAGS	1	1	PKT	1,174.64	B	



Wire Range : 0.2 - 4.0 mm<sup>2</sup>  
 Dimensions Width (Thickness) x Length : 6 x 70.8 mm  
 Height with Din 35 x 7.5 mm Rail : 38 mm



	Part #	Description	Std. Pack	MOQ	UOM	List Price in	Group
TERMINAL BLOCK	CXG4/3	4SQ EARTHING SP CL MOD TB (3 WIRE)	50	50	EA	149.30	A
ACCESSORIES	EPCX4/3	END PLATE FOR CX4/3 & CXG4/3	50	50	EA	11.43	A
	PPCX4/3	PARTITION PLATE FOR CX4/3	50	50	EA	14.21	A
	JX4/2	2 POLE SHRT LNK FR 6MM WIDE SP CL TB	100	100	EA	22.58	A
	JX4/3	3 POLE SHRT LNK FR 6MM WIDE SP CL TB	50	50	EA	38.76	A
	JX4/4	4 POLE SHRT LNK FR 6MM WIDE SP CL TB	50	50	EA	58.32	A
	JX4/10	10 POLE SHRT LNK FR 6MM WIDE SP CL TB	10	10	EA	136.09	A
	MC6	MARKER CARD 6 MM PITCH WITH 72 TAGS	1	1	PKT	866.71	B
MC6WP	PRNTD MARKER CARD 6 MM PITCH 72 TAGS	1	1	PKT	1,000.81	B	

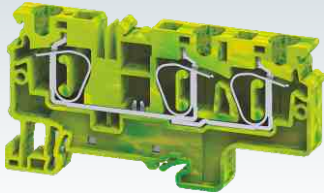


Wire Range : 0.2 - 4.0 mm<sup>2</sup>  
 Dimensions Width (Thickness) x Length : 6 x 84.5 mm  
 Height with Din 35 x 7.5 mm Rail : 38.3 mm












	Part #	Description	Std. Pack	MOQ	UOM	List Price in	Group
TERMINAL BLOCK	CXG4/4	4SQ EARTHING SP CL MOD TB (4 WIRE)	50	50	EA	161.70	A
ACCESSORIES	EPCX4/4	END PLATE FOR CX4/4 & CXG4/4	50	50	EA	13.63	A
	PPCX4/4	PARTITION PLATE FOR CX4/4	50	50	EA	18.83	A
	JX4/2	2 POLE SHRT LNK FR 6MM WIDE SP CL TB	100	100	EA	22.58	A
	JX4/3	3 POLE SHRT LNK FR 6MM WIDE SP CL TB	50	50	EA	38.76	A
	JX4/4	4 POLE SHRT LNK FR 6MM WIDE SP CL TB	50	50	EA	58.32	A
	JX4/10	10 POLE SHRT LNK FR 6MM WIDE SP CL TB	10	10	EA	136.09	A
	MC6	MARKER CARD 6 MM PITCH WITH 72 TAGS	1	1	PKT	866.71	B
MC6WP	PRNTD MARKER CARD 6 MM PITCH 72 TAGS	1	1	PKT	1,000.81	B	

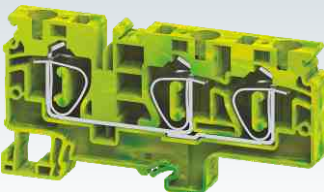
## CX SERIES SPRING CLAMP TERMINAL BLOCKS








Wire Range : 0.2 - 6.0 mm<sup>2</sup>  
 Dimensions Width (Thickness) x Length : 8 x 82.2 mm  
 Height with Din 35 x 7.5 mm Rail : 43.2 mm

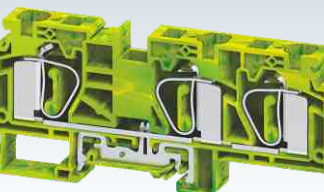
	Part #	Description	Std. Pack	MOQ	UOM	List Price in	Group
TERMINAL BLOCK	CXG6/3	6 mm <sup>2</sup> SPRING CLAMP 3 WIRE GROUND TB	50	50	EA	219.80	A
ACCESSORIES	EPCX6/3	END PLATE FOR CX6/3 & CXG6/3	50	50	EA	13.05	A
	JX6/2	2 POLE SHRT LNK FR 8MM WIDE SP CL TB	100	100	EA	34.17	A
	JX6/3	3 POLE SHRT LNK FR 8MM WIDE SP CL TB	50	50	EA	58.32	A
	JX6/4	4 POLE SHRT LNK FR 8MM WIDE SP CL TB	50	50	EA	81.63	A
	JX6/10	10 POLE SHRT LNK FR 8MM WIDE SP CL TB	10	10	EA	194.17	A
	MC8	MARKER CARD 8 MM PITCH WITH 48 TAGS	1	1	PKT	660.54	B
	MC8WP	PRNTD MARKER CARD 8 MM PITCH 48 TAGS	1	1	PKT	767.38	B





Wire Range : 0.2 - 10.0 mm<sup>2</sup>  
 Dimensions Width (Thickness) x Length : 10 x 97.6 mm  
 Height with Din 35 x 7.5 mm Rail : 49.3 mm

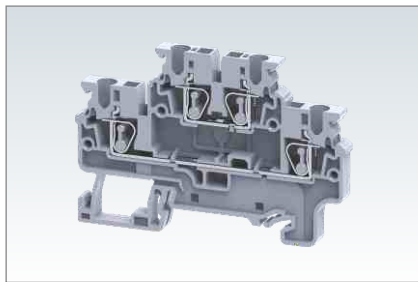
	Part #	Description	Std. Pack	MOQ	UOM	List Price in	Group
TERMINAL BLOCK	CXG10/3	10 mm <sup>2</sup> SPRING CLAMP 3 WIRE GROUND TB	50	50	EA	272.40	A
ACCESSORIES	EPCX10/3	END PLATE FOR CX10/3 & CXG10/3	20	20	EA	13.86	A
	JX10/2	2 POLE SHRT LNK FR 10MM WIDE SP CL TB	20	20	EA	49.75	A
	MC10	MARKER CARD 10 MM PITCH WITH 42 TAGS	1	1	PKT	633.29	B
	MC10WP	PRNTD MARKER CARD 10 MM PITCH 42 TAGS	1	1	PKT	735.04	B



Wire Range : 1.5 - 16.0 mm<sup>2</sup>  
 Dimensions Width (Thickness) x Length : 12 x 111.9 mm  
 Height with Din 35 x 7.5 mm Rail : 51.2 mm

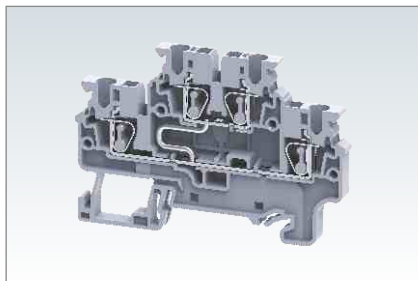
	Part #	Description	Std. Pack	MOQ	UOM	List Price in	Group
TERMINAL BLOCK	CSCG16/3T	16 mm <sup>2</sup> GND SPRING CLAMP 3 WIRE TB	25	50	EA	330.90	A
ACCESSORIES	EPCSC16T	END PLATE FOR CSC16T	50	50	EA	18.25	A
	MC12	MARKER CARD 12 MM PITCH WITH 36 TAGS	1	1	PKT	651.88	B
	MC12WP	PRNTD MARKER CARD 12 MM PITCH 36 TAGS	1	1	PKT	747.52	B



Wire Range : 0.2 - 2.5 mm<sup>2</sup>  
 Current (A) : 24 A  
 Voltage (V) : 1000 V  
 Dimensions Width (Thickness) x Length : 5 x 71 mm  
 Height with Din 35 x 7.5 mm Rail : 49.5 mm



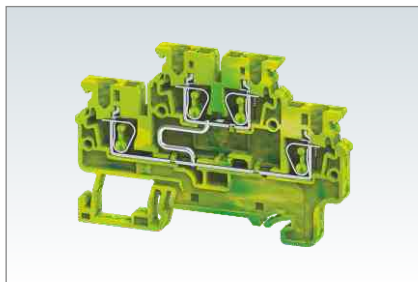
	Part #	Description	Std. Pack	MOQ	UOM	List Price in	Group
TERMINAL BLOCK	CXDL2.5	2.5 mm <sup>2</sup> 2 LEVEL SPRING CLAMP TERMINAL	50	50	EA	40.20	A
	CXDL2.5BU	2.5 mm <sup>2</sup> 2 LVL SPRNG CL TERMINAL BLUE	50	200	EA	44.22	A
	CXDL2.5BK	2.5 mm <sup>2</sup> 2 LVL SPNG CL TERMINAL BLACK	50	200	EA	44.22	A
	CXDL2.5R	2.5 mm <sup>2</sup> 2 LVL SPR CL TERMINAL RED	50	200	EA	44.22	A
	CXDL2.5Y	2.5 mm <sup>2</sup> 2 LVL SPR CL TERMINAL YLW	50	200	EA	44.22	A
ACCESSORIES	EPCXDL2.5	END PLATE FOR CXDL2.5 SERIES	50	50	EA	13.86	A
	JX2.5/2	2 POLE SHRT LNK FR 5MM WIDE SP CL TB	100	100	EA	13.28	A
	JX2.5/3	3 POLE SHRT LNK FR 5MM WIDE SP CL TB	50	50	EA	22.94	A
	JX2.5/4	4 POLE SHRT LNK FR 5MM WIDE SP CL TB	50	50	EA	39.36	A
	JX2.5/10	10 POLE SHRT LNK FR 5MM WIDE SP CL TB	10	10	EA	101.91	A
	MC5	MARKER CARD 5 MM PITCH WITH 84 TAGS	1	1	PKT	1,014.44	B
	MC5WP	PRNTD MARKER CARD 5 MM PITCH 84 TAGS	1	1	PKT	1,174.64	B



Wire Range : 0.2 - 2.5 mm<sup>2</sup>  
 Current (A) : 24 A  
 Voltage (V) : 1000 V  
 Dimensions Width (Thickness) x Length : 5 x 71 mm  
 Height with Din 35 x 7.5 mm Rail : 49.5 mm



	Part #	Description	Std. Pack	MOQ	UOM	List Price in	Group
TERMINAL BLOCK	CXDL2.5(I.S)	2.5 mm <sup>2</sup> 2 LVL SPRING CLAMP INT SHRTD TB	50	200	EA	58.90	A
ACCESSORIES	EPCXDL2.5	END PLATE FOR CXDL2.5 SERIES	50	50	EA	13.86	A
	JX2.5/2	2 POLE SHRT LNK FR 5MM WIDE SP CL TB	100	100	EA	13.28	A
	JX2.5/3	3 POLE SHRT LNK FR 5MM WIDE SP CL TB	50	50	EA	22.94	A
	JX2.5/4	4 POLE SHRT LNK FR 5MM WIDE SP CL TB	50	50	EA	39.36	A
	JX2.5/10	10 POLE SHRT LNK FR 5MM WIDE SP CL TB	10	10	EA	101.91	A
	MC5	MARKER CARD 5 MM PITCH WITH 84 TAGS	1	1	PKT	1,014.44	B
	MC5WP	PRNTD MARKER CARD 5 MM PITCH 84 TAGS	1	1	PKT	1,174.64	B

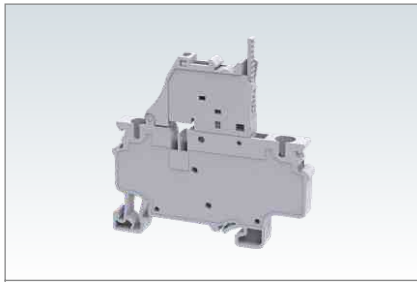


Wire Range : 0.2 - 2.5 mm<sup>2</sup>  
 Dimensions Width (Thickness) x Length : 5 x 71 mm  
 Height with Din 35 x 7.5 mm Rail : 49.5 mm



	Part #	Description	Std. Pack	MOQ	UOM	List Price in	Group
TERMINAL BLOCK	CXDLG2.5(I.S)	2.5 mm <sup>2</sup> 2 LEVEL SPRING CL GROUND TB	50	100	EA	141.80	A
ACCESSORIES	EPCXDL2.5	END PLATE FOR CXDL2.5 SERIES	50	50	EA	13.86	A
	JX2.5/2	2 POLE SHRT LNK FR 5MM WIDE SP CL TB	100	100	EA	13.28	A
	JX2.5/3	3 POLE SHRT LNK FR 5MM WIDE SP CL TB	50	50	EA	22.94	A
	JX2.5/4	4 POLE SHRT LNK FR 5MM WIDE SP CL TB	50	50	EA	39.36	A
	JX2.5/10	10 POLE SHRT LNK FR 5MM WIDE SP CL TB	10	10	EA	101.91	A
	MC5	MARKER CARD 5 MM PITCH WITH 84 TAGS	1	1	PKT	1,014.44	B
	MC5WP	PRNTD MARKER CARD 5 MM PITCH 84 TAGS	1	1	PKT	1,174.64	B

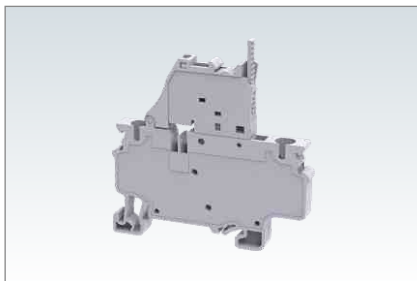
## CX SERIES SPRING CLAMP TERMINAL BLOCKS



Wire Range : 0.2 - 4.0 mm<sup>2</sup>  
 Current (A) : 10 A  
 Voltage (V) : 1000 V  
 Dimensions Width (Thickness) x Length : 6 x 63.7 mm  
 Height with Din 35 x 7.5 mm Rail : 69.1 mm



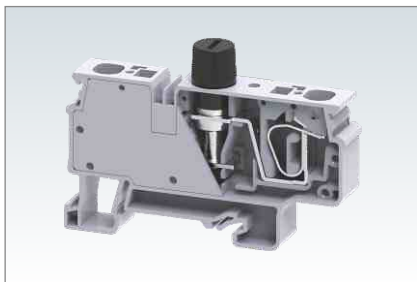
	Part #	Description	Std. Pack	MOQ	UOM	List Price in	Group
TERMINAL BLOCK	CXF4	4mm <sup>2</sup> Ø5X20mm SPRING CLAMP FUSE TB	50	50	EA	91.40	A
	CXF4BU	4mm <sup>2</sup> Ø5X20mm SPRING CLAMP FUSE TB BLU	50	100	EA	100.71	A
ACCESSORIES	PPCX4/3	PARTITION PLATE FOR CX4/3	50	50	EA	14.21	A
	JX4/2	2 POLE SHRT LNK FR 6MM WIDE SP CL TB	100	100	EA	22.58	A
	JX4/3	3 POLE SHRT LNK FR 6MM WIDE SP CL TB	50	50	EA	38.76	A
	JX4/4	4 POLE SHRT LNK FR 6MM WIDE SP CL TB	50	50	EA	58.32	A
	JX4/10	10 POLE SHRT LNK FR 6MM WIDE SP CL TB	10	10	EA	136.09	A
	MC6	MARKER CARD 6 MM PITCH WITH 72 TAGS	1	1	PKT	866.71	B
	MC6WP	PRNTD MARKER CARD 6 MM PITCH 72 TAGS	1	1	PKT	1,000.81	B



Wire Range : 0.2 - 4.0 mm<sup>2</sup>  
 Current (A) : 10 A  
 Voltage (V) : 1000 V  
 Dimensions Width (Thickness) x Length : 6 x 63.7 mm  
 Height with Din 35 x 7.5 mm Rail : 69.1 mm



	Part #	Description	Std. Pack	MOQ	UOM	List Price in	Group
TERMINAL BLOCK	CXF4L6-60V	4mm <sup>2</sup> Ø5X20mm SPRING CLMP FUSE TB 6-60V	50	50	EA	121.60	A
	CXF4L6-60VBK	4mm <sup>2</sup> Ø5X20mm SPRG CLMP FUSE TB 6-60V BLK	50	100	EA	133.79	A
	CXF4L6-60VBU	4mm <sup>2</sup> Ø5X20mm SPRG CLMP FUSE TB 6-60V BLU	50	100	EA	133.79	A
	CXF4L110-240V	4mm <sup>2</sup> Ø5X20mm SPR CL FU TB110-240V	50	50	EA	121.60	A
	CXF4L110-240VBK	4mm <sup>2</sup> Ø5X20mm SPR CL FU TB110-240V BLACK	50	100	EA	133.79	A
	CXF4L110-240VBU	4mm <sup>2</sup> Ø5X20mm SPR CL FU TB110-240V BLUE	50	100	EA	133.79	A
ACCESSORIES	PPCX4/3	PARTITION PLATE FOR CX4/3	50	50	EA	14.21	A
	JX4/2	2 POLE SHRT LNK FR 6MM WIDE SP CL TB	100	100	EA	22.58	A
	JX4/3	3 POLE SHRT LNK FR 6MM WIDE SP CL TB	50	50	EA	38.76	A
	JX4/4	4 POLE SHRT LNK FR 6MM WIDE SP CL TB	50	50	EA	58.32	A
	JX4/10	10 POLE SHRT LNK FR 6MM WIDE SP CL TB	10	10	EA	136.09	A
	MC6	MARKER CARD 6 MM PITCH WITH 72 TAGS	1	1	PKT	866.71	B
	MC6WP	PRNTD MARKER CARD 6 MM PITCH 72 TAGS	1	1	PKT	1,000.81	B



Wire Range CXVF : 0.2 - 6.0 mm<sup>2</sup>  
 CXVF2.5 : 0.2 - 2.5 mm<sup>2</sup>  
 I/P Wire : 0.2 - 6.0 mm<sup>2</sup>  
 O/P Wire : 0.2 - 2.5 mm<sup>2</sup>  
 Current (A) : 10 A  
 Voltage (V) : 800 V  
 Dimensions Width (Thickness) x Length : 12 x 76.7 mm  
 Height with Din 35 x 7.5 mm Rail : 53.4 mm



	Part #	Description	Std. Pack	MOQ	UOM	List Price in	Group
TERMINAL BLOCK	CXVFA	6 mm <sup>2</sup> Ø5X20mm FUSE SPRING CLAMP TB	50	50	EA	266.40	A
	CXVF2.5A	6mm <sup>2</sup> I/P 2X2.5mm <sup>2</sup> O/P Ø5X20mm FUSE SPCLTB	50	50	EA	282.70	A
ACCESSORIES	JX4/4	4 POLE SHRT LNK FR 6MM WIDE SP CL TB	50	50	EA	58.32	A
	JX4/8	8 POLE SHRT LNK FR 6MM WIDE SP CL TB	10	10	EA	97.08	A
	JX4/10	10 POLE SHRT LNK FR 6MM WIDE SP CL TB	10	10	EA	136.09	A
	MC12	MARKER CARD 12 MM PITCH WITH 36 TAGS	1	1	PKT	651.88	B
	MC12WP	PRNTD MARKER CARD 12 MM PITCH 36 TAGS	1	1	PKT	747.52	B

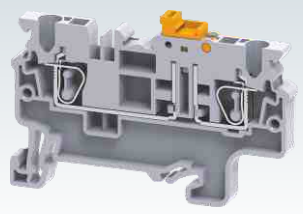


**CXM2.5**      **CXMG2.5**


Wire Range : 0.2 - 2.5 mm<sup>2</sup>  
 Current (A) : 24 A  
 Voltage (V) : 1000 V  
 Dimensions Width (Thickness) x Length : 5 x 37 mm  
 Height with Din 15 mm Rail : 35 mm



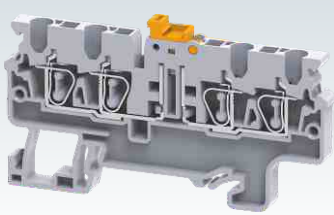
	Part #	Description	Std. Pack	MOQ	UOM	List Price in	Group
TERMINAL BLOCK	CXM2.5	2.5mm <sup>2</sup> FEED THRU SP CL TB FR DIN15 RAIL	100	100	EA	16.80	A
	CXM2.5BU	2.5MM <sup>2</sup> FEED THRU SP CL TB DIN15 RAIL BLU	100	500	EA	18.48	A
	CXMG2.5	2.5mm <sup>2</sup> SP CL GROUND TB FR DIN15 RAIL	100	100	EA	68.40	A
ACCESSORIES	EPCXM2.5	END PLATE FOR CXM2.5	50	50	EA	7.74	A
	JX2.5/2	2 POLE SHRT LNK FR 5MM WIDE SP CL TB	100	100	EA	13.28	A
	JX2.5/3	3 POLE SHRT LNK FR 5MM WIDE SP CL TB	50	50	EA	22.94	A
	JX2.5/4	4 POLE SHRT LNK FR 5MM WIDE SP CL TB	50	50	EA	39.36	A
	JX2.5/10	10 POLE SHRT LNK FR 5MM WIDE SP CL TB	10	10	EA	101.91	A
	MS5WHT	5 MM WIDE MARKER (STRIP) BLANK	1	1	PKT	103.95	A
	MS5WP	5 MM WIDE MARKER (STRIP) PRINTED	1	1	PKT	118.73	A




Wire Range : 0.2 - 2.5 mm<sup>2</sup>  
 Current (A) : 20 A  
 Voltage (V) : 1000 V  
 Dimensions Width (Thickness) x Length : 5 x 62.2 mm  
 Height with Din 35 x 7.5 mm Rail : 42.4 mm



	Part #	Description	Std. Pack	MOQ	UOM	List Price in	Group
TERMINAL BLOCK	CXK2.5	2.5mm <sup>2</sup> 2 WIRE KNIFE DISCON SPR CL TB	100	100	EA	60.90	A
	CXK2.5BU	2.5mm <sup>2</sup> 2 WIRE KNIFE DISCON SP CL BLUE	100	200	EA	66.99	A
ACCESSORIES	EPCX2.5/3	END PLATE FOR CX2.5/3 & CXG2.5/3	50	50	EA	9.47	A
	PPCX4/3	PARTITION PLATE FOR CX4/3	50	50	EA	14.21	A
	JX2.5/2	2 POLE SHRT LNK FR 5MM WIDE SP CL TB	100	100	EA	13.28	A
	JX2.5/3	3 POLE SHRT LNK FR 5MM WIDE SP CL TB	50	50	EA	22.94	A
	JX2.5/4	4 POLE SHRT LNK FR 5MM WIDE SP CL TB	50	50	EA	39.36	A
	JX2.5/10	10 POLE SHRT LNK FR 5MM WIDE SP CL TB	10	10	EA	101.91	A
	MC5	MARKER CARD 5 MM PITCH WITH 84 TAGS	1	1	PKT	1,014.44	B
	MC5WP	PRNTD MARKER CARD 5 MM PITCH 84 TAGS	1	1	PKT	1,174.64	B

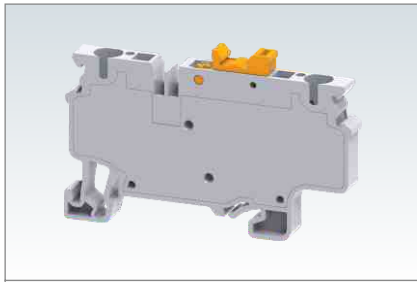


Wire Range : 0.2 - 2.5 mm<sup>2</sup>  
 Current (A) : 20 A  
 Voltage (V) : 1000 V  
 Dimensions Width (Thickness) x Length : 5 x 74 mm  
 Height with Din 35 x 7.5 mm Rail : 38.2 mm



	Part #	Description	Std. Pack	MOQ	UOM	List Price in	Group
TERMINAL BLOCK	CXK2.5/4	2.5mm <sup>2</sup> 4 WIRE KNIFE DISCON SPR CL TB	50	50	EA	71.40	A
	CXK2.5/4BU	2.5mm <sup>2</sup> 4 WIRE KNIFE DISCON SP CL TB BLUE	50	100	EA	78.54	A
ACCESSORIES	EPCX2.5/4	END PLATE FOR CX2.5/4&CXK2.5/4&CXG2.5/4	50	50	EA	9.93	A
	PPCX4/4	PARTITION PLATE FOR CX4/4	50	50	EA	18.83	A
	JX2.5/2	2 POLE SHRT LNK FR 5MM WIDE SP CL TB	100	100	EA	13.28	A
	JX2.5/3	3 POLE SHRT LNK FR 5MM WIDE SP CL TB	50	50	EA	22.94	A
	JX2.5/4	4 POLE SHRT LNK FR 5MM WIDE SP CL TB	50	50	EA	39.36	A
	JX2.5/10	10 POLE SHRT LNK FR 5MM WIDE SP CL TB	10	10	EA	101.91	A
	MC5	MARKER CARD 5 MM PITCH WITH 84 TAGS	1	1	PKT	1,014.44	B
	MC5WP	PRNTD MARKER CARD 5 MM PITCH 84 TAGS	1	1	PKT	1,174.64	B

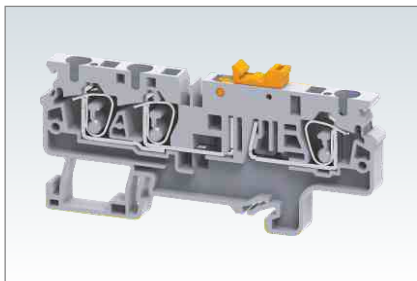
## CX SERIES SPRING CLAMP TERMINAL BLOCKS



Wire Range : 0.2 - 4.0 mm<sup>2</sup>  
 Current (A) : 22 A  
 Voltage (V) : 1000 V  
 Dimensions Width (Thickness) x Length : 6 x 65.7 mm  
 Height with Din 35 x 7.5 mm Rail : 42.7 mm



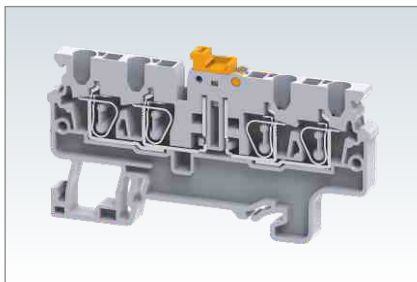
	Part #	Description	Std. Pack	MOQ	UOM	List Price in	Group
TERMINAL BLOCK	CXK4	4mm <sup>2</sup> 2 WIRE KNIFE DISCON SPRNG CLMP TB	100	100	EA	108.90	A
	CXK4BU	4mm <sup>2</sup> 2 WIRE KNIFE DISCON SP CLMP TB BLUE	50	150	EA	119.79	A
ACCESSORIES	JX4/2	2 POLE SHRT LNK FR 6MM WIDE SP CL TB	100	100	EA	22.58	A
	JX4/3	3 POLE SHRT LNK FR 6MM WIDE SP CL TB	50	50	EA	38.76	A
	JX4/4	4 POLE SHRT LNK FR 6MM WIDE SP CL TB	50	50	EA	58.32	A
	JX4/10	10 POLE SHRT LNK FR 6MM WIDE SP CL TB	10	10	EA	136.09	A
	MC6	MARKER CARD 6 MM PITCH WITH 72 TAGS	1	1	PKT	866.71	B
	MC6WP	PRNTD MARKER CARD 6 MM PITCH 72 TAGS	1	1	PKT	1,000.81	B



Wire Range : 0.2 - 4.0 mm<sup>2</sup>  
 Current (A) : 22 A  
 Voltage (V) : 1000 V  
 Dimensions Width (Thickness) x Length : 6 x 86.2 mm  
 Height with Din 35 x 7.5 mm Rail : 42.7 mm



	Part #	Description	Std. Pack	MOQ	UOM	List Price in	Group
TERMINAL BLOCK	CXK4/3	4 mm <sup>2</sup> 3 WIRE KNIFE DISCON SPRNG CLMP TB	50	50	EA	180.40	A
ACCESSORIES	EPCX4/4	END PLATE FOR CX4/4 & CXG4/4	50	50	EA	13.63	A
	JX4/2	2 POLE SHRT LNK FR 6MM WIDE SP CL TB	100	100	EA	22.58	A
	JX4/3	3 POLE SHRT LNK FR 6MM WIDE SP CL TB	50	50	EA	38.76	A
	JX4/4	4 POLE SHRT LNK FR 6MM WIDE SP CL TB	50	50	EA	58.32	A
	JX4/10	10 POLE SHRT LNK FR 6MM WIDE SP CL TB	10	10	EA	136.09	A
	MC6	MARKER CARD 6 MM PITCH WITH 72 TAGS	1	1	PKT	866.71	B
	MC6WP	PRNTD MARKER CARD 6 MM PITCH 72 TAGS	1	1	PKT	1,000.81	B



Wire Range : 0.2 - 2.5 mm<sup>2</sup>  
 Current (A) : 24 A  
 Voltage (V) : 1000 V  
 Dimensions Width (Thickness) x Length : 5 x 45.9 mm  
 Height with Din 35 x 7.5 mm Rail : 43.3 mm



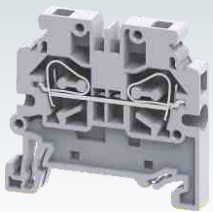
	Part #	Description	Std. Pack	MOQ	UOM	List Price in	Group
TERMINAL BLOCK	CXS2.5	2.5mm <sup>2</sup> FD THRU SIDE ENTRY SPRING CLMP TB	50	50	EA	14.70	A
	CXS2.5BU	2.5mm <sup>2</sup> FD THRU SIDE ENTRY SPRING CL BLUE	50	200	EA	16.17	A
	CXS2.5BK	2.5mm <sup>2</sup> FD THRU SIDE ENTRY SP CL BLACK	50	200	EA	16.17	A
	CXS2.5R	2.5mm <sup>2</sup> FD THRU SIDE ENTRY SP CL RED	50	200	EA	16.17	A
	CXS2.5Y	2.5mm <sup>2</sup> FD THRU SIDE ENTRY SP CL YELLOW	50	200	EA	16.17	A
	CXS2.5GN	2.5mm <sup>2</sup> FD THRU SIDE ENTRY SP CL GREEN	50	200	EA	16.17	A
ACCESSORIES	EPCXS2.5	END PLATE FOR CXS2.5 & CXS4	50	50	EA	6.46	A
	JX2.5/2	2 POLE SHRT LNK FR 5MM WIDE SP CL TB	100	100	EA	13.28	A
	JX2.5/3	3 POLE SHRT LNK FR 5MM WIDE SP CL TB	50	50	EA	22.94	A
	JX2.5/4	4 POLE SHRT LNK FR 5MM WIDE SP CL TB	50	50	EA	39.36	A
	JX2.5/10	10 POLE SHRT LNK FR 5MM WIDE SP CL TB	10	10	EA	101.91	A
	MC5	MARKER CARD 5 MM PITCH WITH 84 TAGS	1	1	PKT	1,014.44	B
	MC5WP	PRNTD MARKER CARD 5 MM PITCH 84 TAGS	1	1	PKT	1,174.64	B



Wire Range : 0.2 - 2.5 mm<sup>2</sup>  
 Dimensions Width (Thickness) x Length : 5 x 45.9 mm  
 Height with Din 35 x 7.5 mm Rail : 43.3 mm



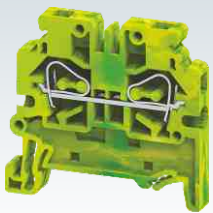
	Part #	Description	Std. Pack	MOQ	UOM	List Price in	Group
TERMINAL BLOCK	CXSG2.5	2.5mm <sup>2</sup> SIDE ENTRY SPRING CLAMP GROUND TB	50	50	EA	111.30	A
ACCESSORIES	EPCXS2.5	END PLATE FOR CXS2.5 & CXS4	50	50	EA	6.46	A
	JX2.5/2	2 POLE SHRT LNK FR 5MM WIDE SP CL TB	100	100	EA	13.28	A
	JX2.5/3	3 POLE SHRT LNK FR 5MM WIDE SP CL TB	50	50	EA	22.94	A
	JX2.5/4	4 POLE SHRT LNK FR 5MM WIDE SP CL TB	50	50	EA	39.36	A
	JX2.5/10	10 POLE SHRT LNK FR 5MM WIDE SP CL TB	10	10	EA	101.91	A
	MC5	MARKER CARD 5 MM PITCH WITH 84 TAGS	1	1	PKT	1,014.44	B
	MC5WP	PRNTD MARKER CARD 5 MM PITCH 84 TAGS	1	1	PKT	1,174.64	B



Wire Range : 0.2 - 4.0 mm<sup>2</sup>  
 Current (A) : 32 A  
 Voltage (V) : 1000 V  
 Dimensions Width (Thickness) x Length : 6 x 45.9 mm  
 Height with Din 35 x 7.5 mm Rail : 43.3 mm



	Part #	Description	Std. Pack	MOQ	UOM	List Price in	Group
TERMINAL BLOCK	CXS4	4 mm <sup>2</sup> FD THRU SIDE ENTRY SPRING CLMP TB	100	100	EA	23.00	A
	CXS4BU	4 mm <sup>2</sup> FD THRU SIDE ENTRY SP CL TB BLU	100	200	EA	25.30	A
	CXS4BK	4 mm <sup>2</sup> FD THRU SIDE ENTRY SP CL TB BLK	100	200	EA	25.30	A
	CXS4R	4 mm <sup>2</sup> FD THRU SIDE ENTRY SP CL TB RED	100	200	EA	25.30	A
	CXS4GN	4 mm <sup>2</sup> FD THRU SIDE ENTRY SP CL TB GRN	100	200	EA	25.30	A
ACCESSORIES	EPCXS2.5	END PLATE FOR CXS2.5 & CXS4	50	50	EA	6.46	A
	JX4/2	2 POLE SHRT LNK FR 6MM WIDE SP CL TB	100	100	EA	22.58	A
	JX4/3	3 POLE SHRT LNK FR 6MM WIDE SP CL TB	50	50	EA	38.76	A
	JX4/4	4 POLE SHRT LNK FR 6MM WIDE SP CL TB	50	50	EA	58.32	A
	JX4/10	10 POLE SHRT LNK FR 6MM WIDE SP CL TB	10	10	EA	136.09	A
	MC6	MARKER CARD 6 MM PITCH WITH 72 TAGS	1	1	PKT	866.71	B
	MC6WP	PRNTD MARKER CARD 6 MM PITCH 72 TAGS	1	1	PKT	1,000.81	B




Wire Range : 0.2 - 4.0 mm<sup>2</sup>  
 Dimensions Width (Thickness) x Length : 6 x 45.9 mm  
 Height with Din 35 x 7.5 mm Rail : 43.3 mm




	Part #	Description	Std. Pack	MOQ	UOM	List Price in	Group
TERMINAL BLOCK	CXSG4	4 mm <sup>2</sup> SIDE ENTRY SPRING CLAMP GROUND TB	100	100	EA	134.40	A
ACCESSORIES	EPCXS2.5	END PLATE FOR CXS2.5 & CXS4	50	50	EA	6.46	A
	JX4/2	2 POLE SHRT LNK FR 6MM WIDE SP CL TB	100	100	EA	22.58	A
	JX4/3	3 POLE SHRT LNK FR 6MM WIDE SP CL TB	50	50	EA	38.76	A
	JX4/4	4 POLE SHRT LNK FR 6MM WIDE SP CL TB	50	50	EA	58.32	A
	JX4/10	10 POLE SHRT LNK FR 6MM WIDE SP CL TB	10	10	EA	136.09	A
	MC6	MARKER CARD 6 MM PITCH WITH 72 TAGS	1	1	PKT	866.71	B
	MC6WP	PRNTD MARKER CARD 6 MM PITCH 72 TAGS	1	1	PKT	1,000.81	B

## CX SERIES SPRING CLAMP TERMINAL BLOCKS




Wire Range : 0.2 - 4.0 mm<sup>2</sup>  
 Dimensions Width (Thickness) x Length : 6 x 45.9 mm  
 Height with Din 35 x 7.5 mm Rail : 43.3 mm










	Part #	Description	Std. Pack	MOQ	UOM	List Price in	Group
TERMINAL BLOCK	CXSG6	6 mm <sup>2</sup> SIDE ENTRY SPRING CLAMP GROUND TB	100	100	EA		A
ACCESSORIES	EPCXS6	END PLATE FOR EPCXS6	50	50	EA	13.98	A
	JX6/2	2 POLE SHRT LNK FR 8MM WIDE SP CL TB	100	100	EA	34.17	A
	JX6/3	3 POLE SHRT LNK FR 8MM WIDE SP CL TB	50	50	EA	58.32	A
	JX6/4	4 POLE SHRT LNK FR 8MM WIDE SP CL TB	50	50	EA	81.63	A
	JX6/5	5 POLE SHRT LNK FR 8MM WIDE SP CL TB	10	10	EA	94.91	A
	MC8	MARKER CARD 8 MM PITCH WITH 48 TAGS	1	1	PKT	660.54	B
	MC8WP	PRNTD MARKER CARD 8 MM PITCH 48 TAGS	1	1	PKT	767.38	B



Wire Range : 0.2 - 4.0 mm<sup>2</sup>  
 Dimensions Width (Thickness) x Length : 6 x 45.9 mm  
 Height (Panel Mount) : 43.3 mm





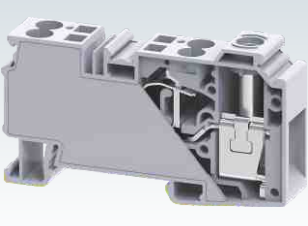
















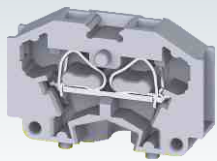
	Part #	Description	Std. Pack	MOQ	UOM	List Price in	Group
TERMINAL BLOCK	CXSG10	10 mm <sup>2</sup> SIDE ENTRY SPRING CLAMP GROUND TB	100	100	EA		A
ACCESSORIES	EPCXS10	END PLATE FOR CXS10 & CXSG10	50	50	EA	14.21	A
	JX10/2	2 POLE SHRT LNK FR 10MM WIDE SP CL TB	100	100	EA	49.75	A
	MC10	MARKER CARD 10 MM PITCH WITH 42 TAGS	1	1	PKT	633.29	B
	MC10WP	PRNTD MARKER CARD 10 MM PITCH 42 TAGS	1	1	PKT	735.04	B



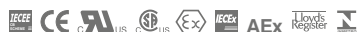
Wire Range : 1.5 - 35.0 mm<sup>2</sup>  
 Current (A) : 125 A  
 Voltage (V) : 1000 V  
 Dimensions Width (Thickness) x Length : 16 x 81.6 mm  
 Height with Din 35 x 7.5 mm Rail : 46.8 mm

	Part #	Description	Std. Pack	MOQ	UOM	List Price in	Group
TERMINAL BLOCK	CXDB35/10	1X35mm <sup>2</sup> I/P 4X10mm <sup>2</sup> O/P HYBRID TERMINAL	20	20	EA	264.60	A
ACCESSORIES	JX6/2	2 POLE SHRT LNK FR 8MM WIDE SP CL TB	100	100	EA	34.17	A
	JX6/3	3 POLE SHRT LNK FR 8MM WIDE SP CL TB	50	50	EA	58.32	A
	JX6/4	4 POLE SHRT LNK FR 8MM WIDE SP CL TB	50	50	EA	81.63	A
	JX6/10	10 POLE SHRT LNK FR 8MM WIDE SP CL TB	10	10	EA	194.17	A
	MC8	MARKER CARD 8 MM PITCH WITH 48 TAGS	1	1	PKT	660.54	B
	MC8WP	PRNTD MARKER CARD 8 MM PITCH 48 TAGS	1	1	PKT	767.38	B
	MC16	MARKER CARD 16 MM PITCH WITH 24 TAGS	1	1	PKT	515.25	B
	MC16WP	PRNTD MARKER CARD 16 MM PITCH 24 TAGS	1	1	PKT	602.22	B



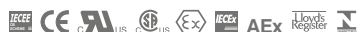
Wire Range : 0.2 - 1.5 mm<sup>2</sup>  
 Current (A) : 17 A  
 Voltage (V) : 500 V  
 Dimensions Width (Thickness) x Length : 5 x 26.5 mm  
 Height (Panel Mount) : 18 mm



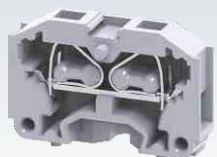
	Part #	Description	Std. Pack	MOQ	UOM	List Price in	Group
TERMINAL BLOCK	CM1.5S	1.5 mm <sup>2</sup> PANEL MOUNT SPRING CLMP 2 WRE TB	100	100	EA	9.20	A
	CM1.5SBU	1.5 mm <sup>2</sup> PANEL MOUNT SP CL 2 WRE TB BLU	100	400	EA	10.12	A
	CM1.5SBK	1.5 mm <sup>2</sup> PANEL MOUNT SP CL 2 WRE TB BLK	100	400	EA	10.12	A
	CM1.5SR	1.5 mm <sup>2</sup> PANEL MOUNT SP CL 2 WRE TB RED	100	400	EA	10.12	A
	CM1.5SY	1.5 mm <sup>2</sup> PANEL MOUNT SP CL 2 WRE TB YLW	100	400	EA	10.12	A
	CM1.5SGN	1.5 mm <sup>2</sup> PANEL MOUNT SP CL 2 WIRE GREEN	100	400	EA	10.12	A
	CM1.5SO	1.5 mm <sup>2</sup> PANEL MOUNT SP CL 2 WRE TB ORG	100	1000	EA	10.12	A
	CM1.5SYG	1.5 mm <sup>2</sup> PANEL MOUNT SP CL 2W TB YLW GRN	100	1000	EA	10.35	A
ACCESSORIES	EPCM1.5S	END PLATE FOR CM1.5S/S2	50	50	EA	4.84	A
	MC4	MARKER CARD 5 MM PITCH WITH 84 TAGS	1	1	PKT	1,014.44	B
	MC4WP	PRNTD MARKER CARD 5MM PITCH 84 TAGS	1	1	PKT	1,174.64	B



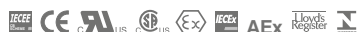
Wire Range : 0.2 - 1.5 mm<sup>2</sup>  
 Current (A) : 17 A  
 Voltage (V) : 500 V  
 Dimensions Width (Thickness) x Length : 8 x 26.5 mm  
 Height (Panel Mount) : 18 mm



	Part #	Description	Std. Pack	MOQ	UOM	List Price in	Group
TERMINAL BLOCK	CM1.5S2	1.5 mm <sup>2</sup> PANEL MOUNT SPRING CLMP 4 WRE TB	100	100	EA	16.20	A
	CM1.5S2BU	1.5 mm <sup>2</sup> PANEL MOUNT SP CL 2 WRE TB BLU	100	400	EA	17.85	A
	CM1.5S2BK	1.5 mm <sup>2</sup> PANEL MOUNT SP CL 4 WRE BLACK	100	400	EA	17.85	A
	CM1.5S2R	1.5 mm <sup>2</sup> PANEL MOUNT SP CL 4 WRE RED	100	400	EA	17.85	A
	CM1.5S2Y	1.5 mm <sup>2</sup> PANEL MOUNT SP CL 4 WRE YELLOW	100	400	EA	17.85	A
	CM1.5S2O	1.5 mm <sup>2</sup> PANEL MOUNT SP CL 4 WRE ORANGE	100	1000	EA	17.85	A
	CM1.5S2YG	1.5 mm <sup>2</sup> PANEL MOUNT SP CL 4W TB YLW GRN	100	1000	EA	17.85	A
ACCESSORIES	EPCM1.5S	END PLATE FOR CM1.5S/S2	50	50	EA	4.84	A




Wire Range : 0.34 - 2.5 mm<sup>2</sup>  
 Current (A) : 24 A  
 Voltage (V) : 500 V  
 Dimensions Width (Thickness) x Length : 6 x 30 mm  
 Height (Panel Mount) : 18 mm









	Part #	Description	Std. Pack	MOQ	UOM	List Price in	Group
TERMINAL BLOCK	CM2.5S	2.5 mm <sup>2</sup> PANEL MOUNT SPRING CLMP 2 WRE TB	100	100	EA	11.00	A
	CM2.5SBU	2.5 mm <sup>2</sup> PANEL MOUNT SP CL 2 WRE TB BLU	100	400	EA	12.10	A
	CM2.5SBK	2.5 mm <sup>2</sup> PANEL MOUNT SP CL 2 WRE TB BLK	100	400	EA	12.10	A
	CM2.5SR	2.5 mm <sup>2</sup> PANEL MOUNT SPG CLMP 2WRE TB RED	100	400	EA	12.10	A
	CM2.5SY	2.5 mm <sup>2</sup> PANEL MOUNT SP CL 2 WRE TB YLW	100	400	EA	12.10	A
	CM2.5SGN	2.5 mm <sup>2</sup> PANEL MOUNT SP CL 2 WRE TB GRN	100	400	EA	12.10	A
	CM2.5SO	2.5 mm <sup>2</sup> PANEL MOUNT SP CL 2 WRE TB ORG	100	1000	EA	12.10	A
	CM2.5SYG	2.5 mm <sup>2</sup> PANEL MOUNT SP CL 2W TB YLW GRN	100	1000	EA	12.10	A
ACCESSORIES	EPCM2.5S	END PLATE FOR CM2.5S/S2	50	50	EA	5.20	A
	MC4	MARKER CARD 5 MM PITCH WITH 84 TAGS	1	1	PKT	1,014.44	B
	MC4WP	PRNTD MARKER CARD 5MM PITCH 84 TAGS	1	1	PKT	1,174.64	B

## CX SERIES SPRING CLAMP TERMINAL BLOCKS




Wire Range : 0.35 - 2.5 mm<sup>2</sup>  
 Current (A) : 24 A  
 Voltage (V) : 500 V  
 Dimensions Width (Thickness) x Length : 10 x 30 mm  
 Height (Panel Mount) : 20 mm










	Part #	Description	Std. Pack	MOQ	UOM	List Price in	Group
TERMINAL BLOCK	CM2.5S2	2.5 mm <sup>2</sup> PANEL MOUNT SPRING CLMP 4 WRE TB	100	100	EA	20.60	A
	CM2.5S2BU	2.5 mm <sup>2</sup> PANEL MOUNT SP CL 4 WRE TB BLU	100	400	EA	22.66	A
	CM2.5S2BK	2.5 mm <sup>2</sup> PANEL MOUNT SP CL 4 WRE TB BLK	100	400	EA	22.66	A
	CM2.5S2R	2.5 mm <sup>2</sup> PANEL MOUNT SPG CLMP 4WRE TB RED	100	400	EA	22.66	A
	CM2.5S2Y	2.5 mm <sup>2</sup> PANEL MOUNT SP CL 4 WRE TB YLW	100	400	EA	22.66	A
	CM2.5S2GN	2.5 mm <sup>2</sup> PANEL MOUNT SP CL 4 WRE TB GRN	100	400	EA	22.66	A
	CM2.5S2O	2.5 mm <sup>2</sup> PANEL MOUNT SP CL 4 WIRE TB ORG	100	1000	EA	22.66	A
	CM2.5S2YG	2.5 mm <sup>2</sup> PANEL MOUNT SP CL 4W TB YLW GRN	100	1000	EA	22.66	A
ACCESSORIES	EPCM2.5S	END PLATE FOR CM2.5S/S2	50	50	EA	5.20	A







Wire Range : 0.2 - 4.0 mm<sup>2</sup>  
 Current (A) : 32 A  
 Voltage (V) : 630 V  
 Dimensions Width (Thickness) x Length : 7 x 33.7 mm  
 Height (Panel Mount) : 23 mm

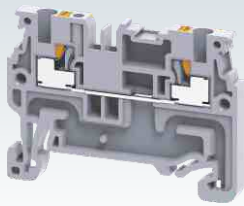
	Part #	Description	Std. Pack	MOQ	UOM	List Price in	Group
TERMINAL BLOCK	CM4S	4mm <sup>2</sup> PANEL MOUNT SP CL SIDE ENTRY 2W TB	100	100	EA	17.60	A
	CM4SBU	4mm <sup>2</sup> PANEL MOUNT SP CL SIDE ENTRY TB BLU	100	400	EA	19.36	A
	CM4SBK	4mm <sup>2</sup> PANEL MOUNT SP CL SIDE ENTRY TB BLK	100	400	EA	19.36	A
	CM4SR	4mm <sup>2</sup> PANEL MOUNT SP CL SIDE ENTRY TB RED	100	400	EA	19.36	A
	CM4SY	4mm <sup>2</sup> PANEL MOUNT SP CL SIDE ENTRY TB YLW	100	400	EA	19.36	A
	CM4SGN	4mm <sup>2</sup> PANEL MOUNT SP CL SIDE ENTRY TB GRN	100	400	EA	19.36	A
	CM4SO	4mm <sup>2</sup> PANEL MOUNT SP CL SIDE ENTRY TB ORG	100	1000	EA	19.36	A
	CM4SYG	4mm <sup>2</sup> PANEL MOUNT SP CL 2W TB YLW GRN	100	1000	EA	19.89	A
ACCESSORIES	EPCM4S	END PLATE FOR CM4S/S2	50	50	EA	8.43	A
	MC6	MARKER CARD 6 MM PITCH WITH 72 TAGS	1	1	PKT	866.71	B
	MC6WP	PRNTD MARKER CARD 6 MM PITCH 72 TAGS	1	1	PKT	1,000.81	B



Wire Range : 0.2 - 4.0 mm<sup>2</sup>  
 Current (A) : 32 A  
 Voltage (V) : 630 V  
 Dimensions Width (Thickness) x Length : 12 x 33.7 mm  
 Height (Panel Mount) : 23 mm

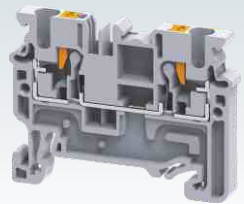
	Part #	Description	Std. Pack	MOQ	UOM	List Price in	Group
TERMINAL BLOCK	CM4S2	4mm <sup>2</sup> PANEL MOUNT SP CL SIDE ENTRY 4W TB	100	100	EA	31.80	A
	CM4S2BU	4mm <sup>2</sup> PANEL MOUNT SP CL SIDE ENTRY TB BLU	100	400	EA	34.98	A
	CM4S2BK	4mm <sup>2</sup> PANEL MOUNT SP CL SIDE ENTRY TB BLK	100	400	EA	34.98	A
	CM4S2R	4mm <sup>2</sup> PANEL MOUNT SP CL SIDE ENTRY TB RED	100	400	EA	34.98	A
	CM4S2Y	4mm <sup>2</sup> PANEL MOUNT SP CL SIDE ENTRY TB YLW	100	400	EA	34.98	A
	CM4S2O	4mm <sup>2</sup> PANEL MOUNT SP CL SIDE ENTRY TB ORG	100	1000	EA	34.98	A
	CM4S2YG	4mm <sup>2</sup> PANEL MOUNT SP CL 4W TB YLW GRN	100	1000	EA	35.93	A
ACCESSORIES	EPCM4S	END PLATE FOR CM4S/S2	50	50	EA	8.43	A
	MC12	MARKER CARD 12 MM PITCH WITH 36 TAGS	1	1	PKT	651.88	B
	MC12WP	PRNTD MARKER CARD 12 MM PITCH 36 TAGS	1	1	PKT	747.52	B



Wire Range : 0.2 - 1.5 mm<sup>2</sup>  
 Current (A) : 15 A  
 Voltage (V) : 800 V  
 Dimensions Width (Thickness) x Length : 3.5 x 45.3 mm  
 Height with Din 35 x 7.5 mm Rail : 34.1 mm



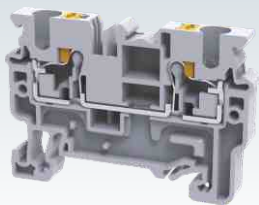
	Part #	Description	Std. Pack	MOQ	UOM	List Price in	Group
TERMINAL BLOCK	CP1.5	1.5 mm <sup>2</sup> FEED THRU PUSH IN TERMINAL BLOCK	100	100	EA	16.80	A
	CPG1.5	1.5 mm <sup>2</sup> PUSH IN GROUND TERMINL	100	100	EA	90.80	A
ACCESSORIES	EPCP1.5	END PLATE FOR CP1.5	50	50	EA	7.16	A
	PPCX4	PARTITION PLATE FOR CX4	50	50	EA	11.43	A
	JX1.5/2	2 POLE SHRT LNK FR 3.5MM WIDE SP CL TB	100	100	EA	12.44	A
	JX1.5/3	3 POLE SHRT LNK FR 3.5MM WIDE SP CL TB	50	100	EA	21.74	A
	JX1.5/4	4 POLE SHRT LNK FR 3.5MM WIDE SP CL TB	50	100	EA	39.36	A
	JX1.5/10	10 POLE SHRT LNK FR 3.5MM WIDE SP CL TB	10	10	EA	100.95	A
	MS3.5WHT	MS3.5 100 MT HOR PRINT MARKER BLANK	1	1	PKT	103.95	A
MS3.5WP	MS3.5 100 MT HOR PRINTED MARKERS WHT	1	1	PKT	118.73	A	



Wire Range : 0.2 - 2.5 mm<sup>2</sup>  
 Current (A) : 24 A  
 Voltage (V) : 1000 V  
 Dimensions Width (Thickness) x Length : 5 x 48 mm  
 Height with Din 35 x 7.5 mm Rail : 38.3 mm



	Part #	Description	Std. Pack	MOQ	UOM	List Price in	Group
TERMINAL BLOCK	CP2.5	2.5 mm <sup>2</sup> FEED THRU PUSH IN TERMINAL BLOCK	100	100	EA	16.90	A
	CPG2.5	2.5 mm <sup>2</sup> FEED THRU PUSH IN GROUND TERMINL	100	100	EA	96.00	A
ACCESSORIES	EPCX2.5	END PLATE FOR CX2.5/CXG2.5	50	50	EA	7.61	A
	PPCX4	PARTITION PLATE FOR CX4	50	50	EA	11.43	A
	JX2.5/2	2 POLE SHRT LNK FR 5MM WIDE SP CL TB	100	100	EA	13.28	A
	JX2.5/3	3 POLE SHRT LNK FR 5MM WIDE SP CL TB	50	50	EA	22.94	A
	JX2.5/4	4 POLE SHRT LNK FR 5MM WIDE SP CL TB	50	50	EA	39.36	A
	JX2.5/10	10 POLE SHRT LNK FR 5MM WIDE SP CL TB	10	10	EA	101.91	A
	MC5	MARKER CARD 5 MM PITCH WITH 84 TAGS	1	1	PKT	1,014.44	B
MC5WP	PRNTD MARKER CARD 5 MM PITCH 84 TAGS	1	1	PKT	1,174.64	B	

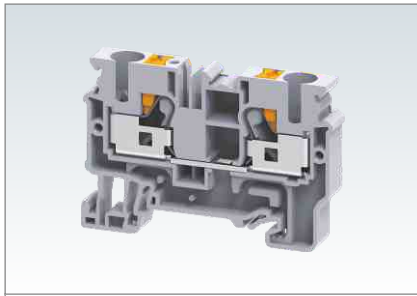


Wire Range : 0.2 - 4.0 mm<sup>2</sup>  
 Current (A) : 32 A  
 Voltage (V) : 1000 V  
 Dimensions Width (Thickness) x Length : 6 x 54.8 mm  
 Height with Din 35 x 7.5 mm Rail : 38.3 mm



	Part #	Description	Std. Pack	MOQ	UOM	List Price in	Group
TERMINAL BLOCK	CP4	4 mm <sup>2</sup> FEED THRU PUSH IN TERMINAL BLOCK	100	100	EA	28.80	A
	CPG4	4 mm <sup>2</sup> PUSH IN GROUND TERMINAL BLOCK	100	100	EA	98.00	A
ACCESSORIES	EPCX4	END PLATE FOR CX4 & CXG4	50	50	EA	9.12	A
	PPCX4	PARTITION PLATE FOR CX4	50	50	EA	11.43	A
	JX4/2	2 POLE SHRT LNK FR 6MM WIDE SP CL TB	100	100	EA	22.58	A
	JX4/3	3 POLE SHRT LNK FR 6MM WIDE SP CL TB	50	50	EA	38.76	A
	JX4/4	4 POLE SHRT LNK FR 6MM WIDE SP CL TB	50	50	EA	58.32	A
	JX4/10	10 POLE SHRT LNK FR 6MM WIDE SP CL TB	10	10	EA	136.09	A
	MC6	MARKER CARD 6 MM PITCH WITH 72 TAGS	1	1	PKT	866.71	B
MC6WP	PRNTD MARKER CARD 6 MM PITCH 72 TAGS	1	1	PKT	1,000.81	B	

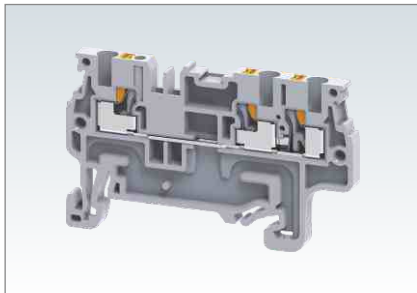
## CP SERIES PUSH-IN TERMINAL BLOCKS



Wire Range : 0.5 - 10 mm<sup>2</sup>  
 Current (A) : 57 A  
 Voltage (V) : 1000 V  
 Dimensions Width (Thickness) x Length : 8 x 62.8 mm  
 Height with Din 35 x 7.5 mm Rail : 43 mm



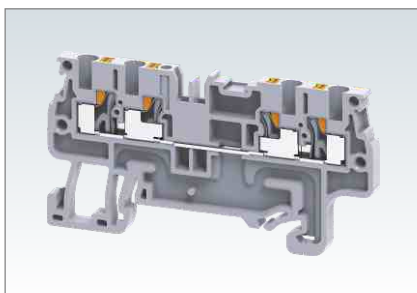
	Part #	Description	Std. Pack	MOQ	UOM	List Price in	Group
TERMINAL BLOCK	CP6/10	10 mm <sup>2</sup> FEED THRU PUSH IN TERMINAL BLOCK	100	100	EA	80.30	A
	CPG6/10	10 mm <sup>2</sup> PUSH IN GROUND TERMINAL BLOCK	100	100	EA	225.10	A
ACCESSORIES	EPCX6	END PLATE FOR CX6 & CXG6	50	50	EA	10.97	A
	PPCX10	PARTITION PLATE FOR CX10	20	20	EA	16.29	A
	JX6/2	2 POLE SHRT LNK FR 8MM WIDE SP CL TB	100	100	EA	34.17	A
	JX6/3	3 POLE SHRT LNK FR 8MM WIDE SP CL TB	50	50	EA	58.32	A
	JX6/4	4 POLE SHRT LNK FR 8MM WIDE SP CL TB	50	50	EA	81.63	A
	JX6/10	10 POLE SHRT LNK FR 8MM WIDE SP CL TB	10	10	EA	194.17	A
	MC8	MARKER CARD 8 MM PITCH WITH 48 TAGS	1	1	PKT	660.54	B
MC8WP	PRNTD MARKER CARD 8 MM PITCH 48 TAGS	1	1	PKT	767.38	B	



Wire Range : 0.2 - 1.5 mm<sup>2</sup>  
 Current (A) : 15 A  
 Voltage (V) : 800 V  
 Dimensions Width (Thickness) x Length : 3.5 x 56.1 mm  
 Height with Din 35 x 7.5 mm Rail : 34.1 mm



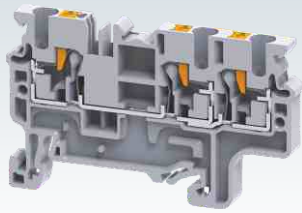
	Part #	Description	Std. Pack	MOQ	UOM	List Price in	Group
TERMINAL BLOCK	CP1.5/3	1.5 mm <sup>2</sup> FEED THRU 3 WIRE PUSH IN TB	100	100	EA	34.40	A
	CPG1.5/3	1.5 mm <sup>2</sup> GND 3 WIRE PUSH IN TB	100	100	EA	118.50	A
ACCESSORIES	EPCP1.5/3	END PLATE FOR CP1.5/3	50	50	EA	9.12	A
	PPCX4/3	PARTITION PLATE FOR CX4/3	50	50	EA	14.21	A
	JX1.5/2	2 POLE SHRT LNK FR 3.5MM WIDE SP CL TB	100	100	EA	12.44	A
	JX1.5/3	3 POLE SHRT LNK FR 3.5MM WIDE SP CL TB	50	100	EA	21.74	A
	JX1.5/4	4 POLE SHRT LNK FR 3.5MM WIDE SP CL TB	50	100	EA	39.36	A
	JX1.5/10	10 POLE SHRT LNK FR 3.5MM WIDE SP CL TB	10	10	EA	100.95	A
	MS3.5WHT	MS3.5 100 MT HOR PRINT MARKER BLANK	1	1	PKT	103.95	A
MS3.5WP	MS3.5 100 MT HOR PRINTED MARKERS WHT	1	1	PKT	118.73	A	



Wire Range : 0.2 - 1.5 mm<sup>2</sup>  
 Current (A) : 15 A  
 Voltage (V) : 800 V  
 Dimensions Width (Thickness) x Length : 3.5 x 66.9 mm  
 Height with Din 35 x 7.5 mm Rail : 34.1 mm



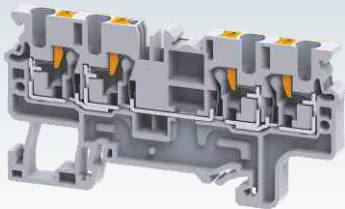
	Part #	Description	Std. Pack	MOQ	UOM	List Price in	Group
TERMINAL BLOCK	CP1.5/4	1.5 mm <sup>2</sup> FEED THRU 4 WIRE PUSH IN TB	100	100	EA	37.90	A
	CPG1.5/4	1.5 mm <sup>2</sup> GND 4 WIRE PUSH IN TB	100	100	EA	147.20	A
ACCESSORIES	EPCP1.5/4	END PLATE FOR CP1.5/4	50	50	EA	11.32	A
	PPCX4/4	PARTITION PLATE FOR CX4/4	50	50	EA	18.83	A
	JX1.5/2	2 POLE SHRT LNK FR 3.5MM WIDE SP CL TB	100	100	EA	12.44	A
	JX1.5/3	3 POLE SHRT LNK FR 3.5MM WIDE SP CL TB	50	100	EA	21.74	A
	JX1.5/4	4 POLE SHRT LNK FR 3.5MM WIDE SP CL TB	50	100	EA	39.36	A
	JX1.5/10	10 POLE SHRT LNK FR 3.5MM WIDE SP CL TB	10	10	EA	100.95	A
	MS3.5WHT	MS3.5 100 MT HOR PRINT MARKER BLANK	1	1	PKT	103.95	A
MS3.5WP	MS3.5 100 MT HOR PRINTED MARKERS WHT	1	1	PKT	118.73	A	



Wire Range : 0.2 - 2.5 mm<sup>2</sup>  
 Current (A) : 24 A  
 Voltage (V) : 1000 V  
 Dimensions Width (Thickness) x Length : 5 x 62.5 mm  
 Height with Din 35 x 7.5 mm Rail : 38.3 mm



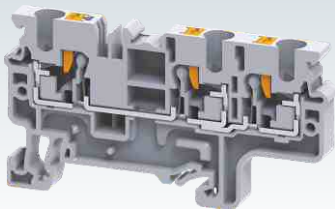
	Part #	Description	Std. Pack	MOQ	UOM	List Price in	Group
TERMINAL BLOCK	CP2.5/3	2.5mm <sup>2</sup> FEED THRU 3 WIRE PUSH IN TB	100	100	EA	36.80	A
	CPG2.5/3	2.5 mm <sup>2</sup> 3 WIRE PUSH IN GND TB	100	100	EA	166.00	A
ACCESSORIES	EPCX2.5/3	END PLATE FOR CX2.5/3 & CXG2.5/3	50	50	EA	9.47	A
	PPCX4/3	PARTITION PLATE FOR CX4/3	50	50	EA	14.21	A
	JX2.5/2	2 POLE SHRT LNK FR 5MM WIDE SP CL TB	100	100	EA	13.28	A
	JX2.5/3	3 POLE SHRT LNK FR 5MM WIDE SP CL TB	50	50	EA	22.94	A
	JX2.5/4	4 POLE SHRT LNK FR 5MM WIDE SP CL TB	50	50	EA	39.36	A
	JX2.5/10	10 POLE SHRT LNK FR 5MM WIDE SP CL TB	10	10	EA	101.91	A
	MC5	MARKER CARD 5 MM PITCH WITH 84 TAGS	1	1	PKT	1,014.44	B
MC5WP	PRNTD MARKER CARD 5 MM PITCH 84 TAGS	1	1	PKT	1,174.64	B	



Wire Range : 0.2 - 2.5 mm<sup>2</sup>  
 Current (A) : 24 A  
 Voltage (V) : 1000 V  
 Dimensions Width (Thickness) x Length : 5 x 73 mm  
 Height with Din 35 x 7.5 mm Rail : 38.3 mm



	Part #	Description	Std. Pack	MOQ	UOM	List Price in	Group
TERMINAL BLOCK	CP2.5/4	2.5mm <sup>2</sup> FEED THRU 4 WIRE PUSH IN TB	100	200	EA	41.00	A
	CPG2.5/4	2.5 mm <sup>2</sup> GND 4 WIRE PUSH IN TB	100	100	EA	169.40	A
ACCESSORIES	EPCX2.5/4	END PLATE FOR CX2.5/4&CXK2.5/4&CXG2.5/4	50	50	EA	9.93	A
	PPCX4/4	PARTITION PLATE FOR CX4/4	50	50	EA	18.83	A
	JX2.5/2	2 POLE SHRT LNK FR 5MM WIDE SP CL TB	100	100	EA	13.28	A
	JX2.5/3	3 POLE SHRT LNK FR 5MM WIDE SP CL TB	50	50	EA	22.94	A
	JX2.5/4	4 POLE SHRT LNK FR 5MM WIDE SP CL TB	50	50	EA	39.36	A
	JX2.5/10	10 POLE SHRT LNK FR 5MM WIDE SP CL TB	10	10	EA	101.91	A
	MC5	MARKER CARD 5 MM PITCH WITH 84 TAGS	1	1	PKT	1,014.44	B
MC5WP	PRNTD MARKER CARD 5 MM PITCH 84 TAGS	1	1	PKT	1,174.64	B	

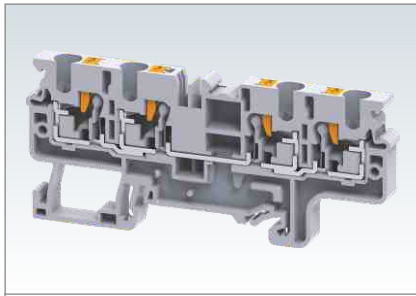


Wire Range : 0.2 - 4.0 mm<sup>2</sup>  
 Current (A) : 32 A  
 Voltage (V) : 1000 V  
 Dimensions Width (Thickness) x Length : 6 x 70.5 mm  
 Height with Din 35 x 7.5 mm Rail : 38.3 mm



	Part #	Description	Std. Pack	MOQ	UOM	List Price in	Group
TERMINAL BLOCK	CP4/3	4 mm <sup>2</sup> FEED THRU 3 WIRE PUSH IN TB	50	50	EA	52.20	A
	CPG4/3	4 mm <sup>2</sup> GND 3 WIRE PUSH IN TB	50	50	EA	171.80	A
ACCESSORIES	EPCX4/3	END PLATE FOR CX4/3 & CXG4/3	50	50	EA	11.43	A
	PPCX4/3	PARTITION PLATE FOR CX4/3	50	50	EA	14.21	A
	JX4/2	2 POLE SHRT LNK FR 6MM WIDE SP CL TB	100	100	EA	22.58	A
	JX4/3	3 POLE SHRT LNK FR 6MM WIDE SP CL TB	50	50	EA	38.76	A
	JX4/4	4 POLE SHRT LNK FR 6MM WIDE SP CL TB	50	50	EA	58.32	A
	JX4/10	10 POLE SHRT LNK FR 6MM WIDE SP CL TB	10	10	EA	136.09	A
	MC6	MARKER CARD 6 MM PITCH WITH 72 TAGS	1	1	PKT	866.71	B
MC6WP	PRNTD MARKER CARD 6 MM PITCH 72 TAGS	1	1	PKT	1,000.81	B	

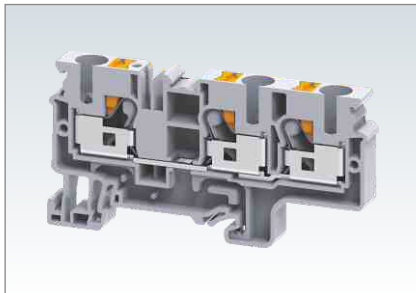
## CP SERIES PUSH-IN TERMINAL BLOCKS



Wire Range : 0.2 - 4.0 mm<sup>2</sup>  
 Current (A) : 32 A  
 Voltage (V) : 1000 V  
 Dimensions Width (Thickness) x Length : 6 x 86.2 mm  
 Height with Din 35 x 7.5 mm Rail : 38.3 mm



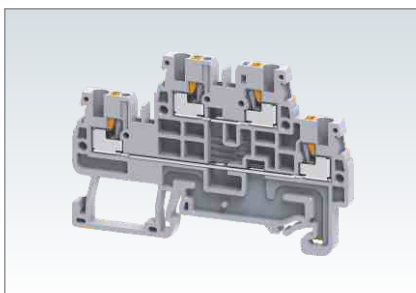
	Part #	Description	Std. Pack	MOQ	UOM	List Price in	Group
TERMINAL BLOCK	CP4/4	4 mm <sup>2</sup> FEED THRU 4 WIRE PUSH IN TB	50	50	EA	59.40	A
	CPG4/4	4 mm <sup>2</sup> GND 4 WIRE PUSH IN TB	50	50	EA	161.40	A
ACCESSORIES	EPCX4/4	END PLATE FOR CX4/4 & CXG4/4	50	50	EA	13.63	A
	PPCX4/4	PARTITION PLATE FOR CX4/4	50	50	EA	18.83	A
	JX4/2	2 POLE SHRT LNK FR 6MM WIDE SP CL TB	100	100	EA	22.58	A
	JX4/3	3 POLE SHRT LNK FR 6MM WIDE SP CL TB	50	50	EA	38.76	A
	JX4/4	4 POLE SHRT LNK FR 6MM WIDE SP CL TB	50	50	EA	58.32	A
	JX4/10	10 POLE SHRT LNK FR 6MM WIDE SP CL TB	10	10	EA	136.09	A
	MC6	MARKER CARD 6 MM PITCH WITH 72 TAGS	1	1	PKT	866.71	B
MC6WP	PRNTD MARKER CARD 6 MM PITCH 72 TAGS	1	1	PKT	1,000.81	B	



Wire Range : 0.5 - 10.0 mm<sup>2</sup>  
 Current (A) : 57 A  
 Voltage (V) : 1000 V  
 Dimensions Width (Thickness) x Length : 8 x 82.8 mm  
 Height with Din 35 x 7.5 mm Rail : 43 mm



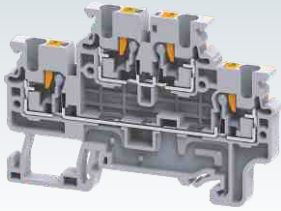
	Part #	Description	Std. Pack	MOQ	UOM	List Price in	Group
TERMINAL BLOCK	CP6/10/3	10 mm <sup>2</sup> FEED THRU PUSH IN 3 WIRE TB	50	50	EA	139.20	A
	CPG6/10/3	10 mm <sup>2</sup> 3 WIRE PUSH IN GROUND TERMINAL	50	50	EA	271.80	A
ACCESSORIES	EPCX6/3	END PLATE FOR CX6/3 & CXG6/3	50	50	EA	13.05	A
	JX6/2	2 POLE SHRT LNK FR 8MM WIDE SP CL TB	100	100	EA	34.17	A
	JX6/3	3 POLE SHRT LNK FR 8MM WIDE SP CL TB	50	50	EA	58.32	A
	JX6/4	4 POLE SHRT LNK FR 8MM WIDE SP CL TB	50	50	EA	81.63	A
	JX6/10	10 POLE SHRT LNK FR 8MM WIDE SP CL TB	10	10	EA	194.17	A
	MC8	MARKER CARD 8 MM PITCH WITH 48 TAGS	1	1	PKT	660.54	B
	MC8WP	PRNTD MARKER CARD 8 MM PITCH 48 TAGS	1	1	PKT	767.38	B






Wire Range : 0.2 - 1.5 mm<sup>2</sup>  
 Current (A) : 16 A  
 Voltage (V) : 500 V  
 Dimensions Width (Thickness) x Length : 3.5 x 67.4 mm  
 Height with Din 35 x 7.5 mm Rail : 45.3 mm




	Part #	Description	Std. Pack	MOQ	UOM	List Price in	Group
TERMINAL BLOCK	CPDL1.5	1.5mm <sup>2</sup> 2 LEVEL PUSH IN SPRING CLAMP TB	50	50	EA	42.10	A
	CPDL1.5(I.S)	1.5mm <sup>2</sup> 2 LEVEL PUSH IN SP CL INT SHRT TB	50	150	EA	57.00	A
ACCESSORIES	EPCPDL1.5	END PLATE FOR CPDL1.5	50	50	EA	13.86	A
	JX1.5/2	2 POLE SHRT LNK FR 3.5MM WIDE SP CL TB	100	100	EA	12.44	A
	JX1.5/3	3 POLE SHRT LNK FR 3.5MM WIDE SP CL TB	50	100	EA	21.74	A
	JX1.5/4	4 POLE SHRT LNK FR 3.5MM WIDE SP CL TB	50	100	EA	39.36	A
	JX1.5/10	10 POLE SHRT LNK FR 3.5MM WIDE SP CL TB	10	10	EA	100.95	A
	MS3.5WHT	MS3.5 100 MT HOR PRINT MARKER BLANK	1	1	PKT	103.95	A
	MS3.5WP	MS3.5 100 MT HOR PRINTED MARKERS WHT	1	1	PKT	118.73	A






Wire Range : 0.2 - 2.5 mm<sup>2</sup>  
 Current (A) : 24 A  
 Voltage (V) : 1000 V  
 Dimensions Width (Thickness) x Length : 5 x 72.7 mm  
 Height with Din 35 x 7.5 mm Rail : 49.6 mm


	Part #	Description	Std. Pack	MOQ	UOM	List Price in	Group
TERMINAL BLOCK	CPDL2.5	2.5mm <sup>2</sup> 2 LEVEL PUSH IN SPRING CLAMP TB	50	50	EA	47.00	A
ACCESSORIES	EPCXDL2.5	END PLATE FOR CXDL2.5 SERIES	50	50	EA	13.86	A
	JX2.5/2	2 POLE SHRT LNK FR 5MM WIDE SP CL TB	100	100	EA	13.28	A
	JX2.5/3	3 POLE SHRT LNK FR 5MM WIDE SP CL TB	50	50	EA	22.94	A
	JX2.5/4	4 POLE SHRT LNK FR 5MM WIDE SP CL TB	50	50	EA	39.36	A
	JX2.5/10	10 POLE SHRT LNK FR 5MM WIDE SP CL TB	10	10	EA	101.91	A
	MC5	MARKER CARD 5 MM PITCH WITH 84 TAGS	1	1	PKT	1,014.44	B
	MC5WP	PRNTD MARKER CARD 5 MM PITCH 84 TAGS	1	1	PKT	1,174.64	B






Wire Range : 0.2 - 2.5 mm<sup>2</sup>  
 Current (A) : 24 A  
 Voltage (V) : 1000 V  
 Dimensions Width (Thickness) x Length : 5 x 72.7 mm  
 Height with Din 35 x 7.5 mm Rail : 49.6 mm

	Part #	Description	Std. Pack	MOQ	UOM	List Price in	Group
TERMINAL BLOCK	CPDL2.5(I.S)	2.5mm <sup>2</sup> 2 LEVEL PUSH IN INT SHRT SP CL TB	50	150	EA	74.10	A
ACCESSORIES	EPCXDL2.5	END PLATE FOR CXDL2.5 SERIES	50	50	EA	13.86	A
	JX2.5/2	2 POLE SHRT LNK FR 5MM WIDE SP CL TB	100	100	EA	13.28	A
	JX2.5/3	3 POLE SHRT LNK FR 5MM WIDE SP CL TB	50	50	EA	22.94	A
	JX2.5/4	4 POLE SHRT LNK FR 5MM WIDE SP CL TB	50	50	EA	39.36	A
	JX2.5/10	10 POLE SHRT LNK FR 5MM WIDE SP CL TB	10	10	EA	101.91	A
	MC5	MARKER CARD 5 MM PITCH WITH 84 TAGS	1	1	PKT	1,014.44	B
	MC5WP	PRNTD MARKER CARD 5 MM PITCH 84 TAGS	1	1	PKT	1,174.64	B

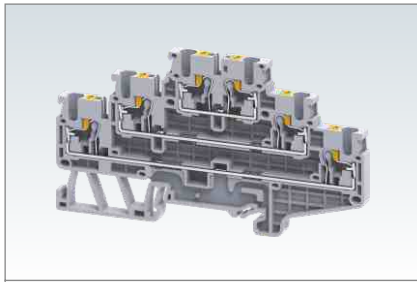


Wire Range : 0.2 - 4.0 mm<sup>2</sup>  
 Current (A) : 10 A  
 Voltage (V) : 1000 V  
 Dimensions Width (Thickness) x Length : 6 x 70.7 mm  
 Height with Din 35 x 7.5 mm Rail : 70 mm

	Part #	Description	Std. Pack	MOQ	UOM	List Price in	Group
TERMINAL BLOCK	CPF4N	4MM <sup>2</sup> PUSH IN FUSE TB	50	50	EA	99.80	A
	CPF4NL110-240V	4MM <sup>2</sup> PUSH IN FUSE TB 110-240V	50	50	EA	142.50	A
	CPF4NL6-60V	4MM <sup>2</sup> PUSH IN FUSE TB 6-60V	50	50	EA	142.50	A
	PPCX4/3	PARTITION PLATE FOR CX4/3	50	50	EA	14.21	A
ACCESSORIES	JX4/2	2 POLE SHRT LNK FR 6MM WIDE SP CL TB	100	100	EA	22.58	A
	JX4/3	3 POLE SHRT LNK FR 6MM WIDE SP CL TB	50	50	EA	38.76	A
	JX4/4	4 POLE SHRT LNK FR 6MM WIDE SP CL TB	50	50	EA	58.32	A
	JX4/10	10 POLE SHRT LNK FR 6MM WIDE SP CL TB	10	10	EA	136.09	A
	MC6	MARKER CARD 6 MM PITCH WITH 72 TAGS	1	1	PKT	866.71	B
	MC6WP	PRNTD MARKER CARD 6 MM PITCH 72 TAGS	1	1	PKT	1,000.81	B

## CP SERIES PUSH-IN TERMINAL BLOCKS



Wire Range : 0.2 - 2.5 mm<sup>2</sup>  
 Current (A) : 20 A  
 Voltage (V) : 500 V  
 Dimensions Width (Thickness) x Length : 5 x 102 mm  
 Height with Din 35 x 7.5 mm Rail : 57.3 mm



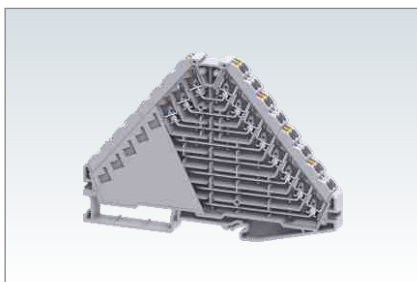
	Part #	Description	Std. Pack	MOQ	UOM	List Price in	Group
TERMINAL BLOCK	CPTL2.5	2.5mm <sup>2</sup> 3 LEVEL PUSH IN SPRING CLMP TB	50	50	EA	130.10	A
	CPTL2.5(I.S)	2.5mm <sup>2</sup> 3 LVL PUSH IN SPR CL INT SHRT TB	50	100	EA	162.00	A
	CPTLG2.5	2.5mm <sup>2</sup> FEED THRU + GND PUSH IN SP CL TB	50	100	EA	242.20	A
	CPTLG2.5(I.S)	2.5mm <sup>2</sup> GND INT SHRT PUSH IN TB	50	50	EA	274.60	A
ACCESSORIES	EPCPTL2.5	END PLATE FOR EPCPTL2.5	50	50	EA	34.53	A
	JX2.5/2	2 POLE SHRT LNK FR 5MM WIDE SP CL TB	100	100	EA	13.28	A
	JX2.5/3	3 POLE SHRT LNK FR 5MM WIDE SP CL TB	50	50	EA	22.94	A
	JX2.5/4	4 POLE SHRT LNK FR 5MM WIDE SP CL TB	50	50	EA	39.36	A
	JX2.5/10	10 POLE SHRT LNK FR 5MM WIDE SP CL TB	10	10	EA	101.91	A
	MC5	MARKER CARD 5 MM PITCH WITH 84 TAGS	1	1	PKT	1,014.44	B
	MC5WP	PRNTD MARKER CARD 5 MM PITCH 84 TAGS	1	1	PKT	1,174.64	B



Wire Range : 0.2 - 1.5 mm<sup>2</sup>  
 Current (A) : 8 A  
 Voltage (V) : 320 V  
 Dimensions Width (Thickness) x Length : 9 x 72.7 mm  
 Height with Din 35 x 7.5 mm Rail : 55.8 mm



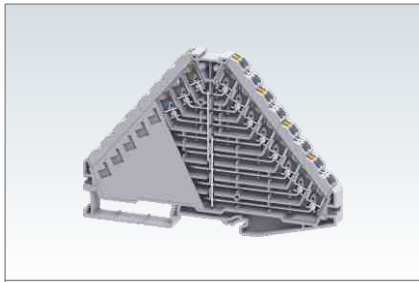
	Part #	Description	Std. Pack	MOQ	UOM	List Price in	Group
TERMINAL BLOCK	CP4L16	1.5 mm <sup>2</sup> FD THRU 4LVL PUSH IN SP CL TB	10	10	EA	427.00	A
	CP4L16(I.S)	1.5mm <sup>2</sup> 4LVL PUSH IN SP CL INT SHRT TB	10	20	EA	433.00	A
ACCESSORIES	MC9	MARKER CARD 9 MM PITCH WITH 42 TAGS	1	1	PKT	633.29	B
	MC9WP	PRNTD MARKER CARD 9 MM PITCH 42 TAGS	1	1	PKT	735.04	B



Wire Range : 0.2 - 1.5 mm<sup>2</sup>  
 Current (A) : 8 A  
 Voltage (V) : 320 V  
 Dimensions Width (Thickness) x Length : 9 x 120 mm  
 Height with Din 35 x 7.5 mm Rail : 84 mm



	Part #	Description	Std. Pack	MOQ	UOM	List Price in	Group
TERMINAL BLOCK	CP8L32	1.5 mm <sup>2</sup> FEED THRU 8 LVL PUSH IN SP CL TB	10	10	EA	541.20	A
	CP8L32BU	1.5 mm <sup>2</sup> FD TH 8 LVL PUSH IN SP CL TB BLU	10	20	EA	595.32	A
ACCESSORIES	MC9	MARKER CARD 9 MM PITCH WITH 42 TAGS	1	1	PKT	633.29	B
	MC9WP	PRNTD MARKER CARD 9 MM PITCH 42 TAGS	1	1	PKT	735.04	B



Wire Range : 0.2 - 1.5 mm<sup>2</sup>  
 Current (A) : 8 A  
 Voltage (V) : 320 V  
 Dimensions Width (Thickness) x Length : 9 x 120 mm  
 Height with Din 35 x 7.5 mm Rail : 84 mm



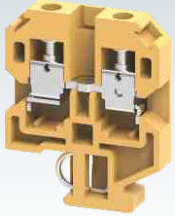
	Part #	Description	Std. Pack	MOQ	UOM	List Price in	Group
TERMINAL BLOCK	CP8L32(I.S)	1.5mm <sup>2</sup> 8 LVL PUSH IN SP CLMP INT SHRT TB	10	20	EA	765.00	A
ACCESSORIES	MC9	MARKER CARD 9 MM PITCH WITH 42 TAGS	1	1	PKT	633.29	B
	MC9WP	PRNTD MARKER CARD 9 MM PITCH 42 TAGS	1	1	PKT	735.04	B



Wire Range : 0.2 - 4.0 mm<sup>2</sup>  
 Current (A) : 32 A  
 Voltage (V) : 800 V  
 Dimensions Width (Thickness) x Length : 8 x 6.7 mm  
 Height with Din 32 x 15 mm Rail : 52 mm



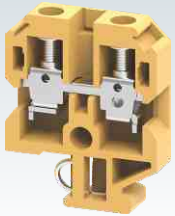
	Part #	Description	Std. Pack	MOQ	UOM	List Price in	Group
TERMINAL BLOCK	CTS2.5	4 mm <sup>2</sup> FEED THRU SCREW CLAMP MELAMINE TB	200	200	EA	20.20	C
ACCESSORIES	CTSEP1	END PLATE FOR CTS2.5/6/10	50	50	EA	8.89	C
	CTSP1L	PARTITION PLATE FOR CTS2.5/6/10 LONG	50	50	EA	19.06	C
	CA522/2	2P PRE ASSEM SHRT LINK FR 6.7mm WIDE TB	100	200	EA	21.61	C
	CA522/3	3P PRE ASSEM SHRT LINK FOR 6.7mm WIDE TB	100	100	EA	32.12	C
	CA522/4	4P PRE ASSEM SHRT LINK FOR 6.7mm WIDE TB	100	100	EA	42.87	C
	CA522/10	10P PRE ASSEM SHRT LINK FR 6.7mm WIDE TB	10	50	EA	107.11	C
	MC2	MARKER CARD 6 MM PITCH WITH 72 TAGS	1	1	PKT	866.71	B
MC2WP	PRNTD MARKER CARD 6 MM PITCH 72 TAGS	1	1	PKT	1,000.81	B	



Wire Range : 1.5 - 6.0 mm<sup>2</sup>  
 Current (A) : 41 A  
 Voltage (V) : 1000 V  
 Dimensions Width (Thickness) x Length : 8 x 40 mm  
 Height with Din 32 x 15 mm Rail : 52 mm



	Part #	Description	Std. Pack	MOQ	UOM	List Price in	Group
TERMINAL BLOCK	CTS6	6 mm <sup>2</sup> FEED THRU SCREW CLAMP MELAMINE TB	200	200	EA	24.00	C
ACCESSORIES	CTSEP1	END PLATE FOR CTS2.5/6/10	50	50	EA	8.89	C
	CTSP1L	PARTITION PLATE FOR CTS2.5/6/10 LONG	50	50	EA	19.06	C
	CA723/2	2P PRE ASSEM SHRT LINK FOR 8mm WIDE TB	100	300	EA	22.94	B
	CA723/3	3P PRE ASSEM SHRT LINK FOR 8mm WIDE TB	50	150	EA	34.66	B
	CA723/4	4P PRE ASSEM SHRT LINK FOR 8mm WIDE TB	50	150	EA	46.13	B
	CA723/10	10P PRE ASSEM SHRT LINK FOR 8mm WIDE TB	10	30	EA	114.71	B
	MC2	MARKER CARD 6 MM PITCH WITH 72 TAGS	1	1	PKT	866.71	B
MC2WP	PRNTD MARKER CARD 6 MM PITCH 72 TAGS	1	1	PKT	1,000.81	B	



Wire Range : 1.5 - 10.0 mm<sup>2</sup>  
 Current (A) : 57 A  
 Voltage (V) : 1000 V  
 Dimensions Width (Thickness) x Length : 10 x 40 mm  
 Height with Din 32 x 15 mm Rail : 52 mm



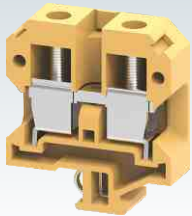
	Part #	Description	Std. Pack	MOQ	UOM	List Price in	Group
TERMINAL BLOCK	CTS10	10 mm <sup>2</sup> FEED THRU SCREW CLAMP MELAMINE TB	200	200	EA	32.80	C
ACCESSORIES	CTSEP1	END PLATE FOR CTS2.5/6/10	50	50	EA	8.89	C
	CTSP1L	PARTITION PLATE FOR CTS2.5/6/10 LONG	50	50	EA	19.06	C
	CA724/2	2P PRE ASSEM SHRT LINK FOR 10mm WIDE TB	100	300	EA	24.87	B
	CA724/3	3P PRE ASSEM SHRT LINK FOR 10mm WIDE TB	50	150	EA	37.43	B
	CA724/4	4P PRE ASSEM SHRT LINK FOR 10mm WIDE TB	50	100	EA	49.99	B
	CA724/10	10P PRE ASSEM SHRT LINK FOR 10mm WIDE TB	10	30	EA	124.37	B
	MC2	MARKER CARD 6 MM PITCH WITH 72 TAGS	1	1	PKT	866.71	B
MC2WP	PRNTD MARKER CARD 6 MM PITCH 72 TAGS	1	1	PKT	1,000.81	B	



Wire Range : 6.0 - 16.0 mm<sup>2</sup>  
 Current (A) : 76 A  
 Voltage (V) : 1000 V  
 Dimensions Width (Thickness) x Length : 12 x 50 mm  
 Height with Din 32 x 15 mm Rail : 57.5 mm



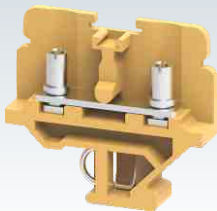
	Part #	Description	Std. Pack	MOQ	UOM	List Price in	Group
TERMINAL BLOCK	CTS16	16 mm <sup>2</sup> FEED THRU SCREW CLAMP MELAMINE TB	100	100	EA	52.80	C
ACCESSORIES	CTSEP2	END PLATE FOR CTS16	50	50	EA	17.79	C
	CTSP2	PARTITION PLATE FOR CTS16	50	50	EA	31.19	C
	CA751/2	2P PRE ASSEM SHRT LINK FOR 12mm WIDE TB	50	50	EA	27.41	B
	CA751/3	3P PRE ASSEM SHRT LINK FOR 12mm WIDE TB	50	50	EA	41.06	B
	CA751/4	4P PRE ASSEM SHRT LINK FOR 12mm WIDE TB	50	50	EA	54.58	B
	CA751/10	10P PRE ASSEM SHRT LINK FOR 12mm WIDE TB	10	10	EA	136.09	B
	MC2	MARKER CARD 6 MM PITCH WITH 72 TAGS	1	1	PKT	866.71	B
MC2WP	PRNTD MARKER CARD 6 MM PITCH 72 TAGS	1	1	PKT	1,000.81	B	



Wire Range : 10.0 - 35.0 mm<sup>2</sup>  
 Current (A) : 125 A  
 Voltage (V) : 1100 V  
 Dimensions Width (Thickness) x Length : 18 x 58 mm  
 Height with Din 32 x 15 mm Rail : 66.8 mm



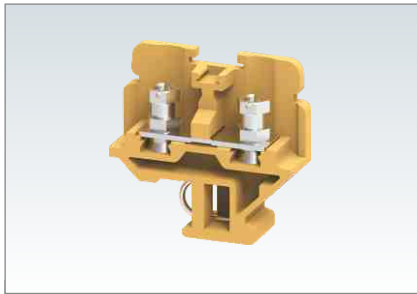
	Part #	Description	Std. Pack	MOQ	UOM	List Price in	Group
TERMINAL BLOCK	CTS35	35 mm <sup>2</sup> FEED THRU SCREW CLAMP MELAMINE TB	50	50	EA	146.10	C
ACCESSORIES	CTSEP3	END PLATE FOR CTS35	25	25	EA	18.83	C
	CTSP3	PARTITION PLATE FOR CTS35	25	25	EA	36.04	C
	MC2	MARKER CARD 6 MM PITCH WITH 72 TAGS	1	1	PKT	866.71	B
	MC2WP	PRNTD MARKER CARD 6 MM PITCH 72 TAGS	1	1	PKT	1,000.81	B



Wire Range : 1.5 - 6.0 mm<sup>2</sup>  
 Current (A) : 41 A  
 Voltage (V) : 1100 V  
 Dimensions Width (Thickness) x Length : 10 x 50 mm  
 Height with Din 32 x 15 mm Rail : 47.5 mm



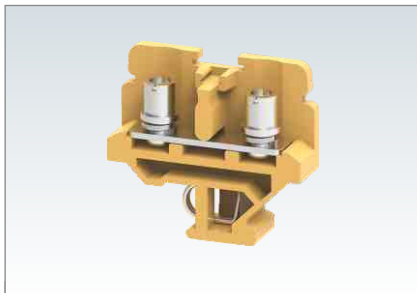
	Part #	Description	Std. Pack	MOQ	UOM	List Price in	Group
TERMINAL BLOCK	CSTS4/N5/B4/B5	6mm <sup>2</sup> M3 STUD SCREW DRVR OPTD MELAMINE TB	100	100	EA	53.10	C
ACCESSORIES	GSTSEP2	END PLATE FOR CSTS4/N5/B4/B5	50	50	EA	12.82	C
	GSTSP	PARTITION PLATE FOR CSTS4/N5/B4/B5	50	50	EA	25.41	B
	CA512/5-2	2P REM SHORTING LINK FOR 10mm WIDE TB	100	200	EA	29.34	B
	CA512/5-3	3P REM SHORTING LINK FOR 10mm WIDE TB	50	100	EA	43.83	B
	CA512/5-4	4P REM SHORTING LINK FOR 10mm WIDE TB	50	100	EA	58.32	B
	CA514/5-2	2P INS REM SHORTING LNK FR 10mm WIDE TB	100	200	EA	34.29	B
	CA514/5-3	3P INS REM SHORTING LNK FR 10mm WIDE TB	50	100	EA	51.56	B
	CA514/5-4	4P INS REM SHORTING LNK FR 10mm WIDE TB	50	100	EA	68.59	B
	MC2B4	MARKER CARD 6 MM PITCH WITH 72 TAGS	1	1	PKT	866.71	B
MC2B4WP	PRNTD MARKER CARD 6 MM PITCH 72 TAGS	1	1	PKT	1,000.81	B	



Wire Range : 1.5 - 10.0 mm<sup>2</sup>  
 Current (A) : 57 A  
 Voltage (V) : 1100 V  
 Dimensions Width (Thickness) x Length : 13 x 45 mm  
 Height with Din 32 x 15 mm Rail : 45 mm



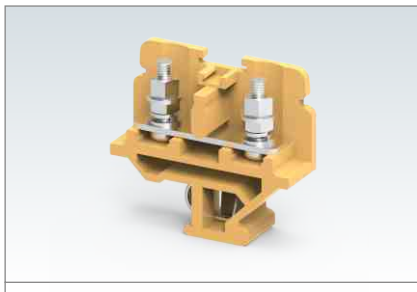
	Part #	Description	Std. Pack	MOQ	UOM	List Price in	Group
TERMINAL BLOCK	CSTSB4/N4	10mm <sup>2</sup> M4 STUD SCREW/NUT DRVR OPTD MEL TB	100	100	EA	66.90	C
ACCESSORIES	EPCSTSB4/N4	END PLATE FOR CSTSB4/N4	50	50	EA	12.24	C
	CA512/5-2	2P REM SHORTING LINK FOR 10mm WIDE TB	100	200	EA	29.34	B
	CA512/5-3	3P REM SHORTING LINK FOR 10mm WIDE TB	50	100	EA	43.83	B
	CA512/5-4	4P REM SHORTING LINK FOR 10mm WIDE TB	50	100	EA	58.32	B
	CA514/5-2	2P INS REM SHORTING LNK FR 10mm WIDE TB	100	200	EA	34.29	B
	CA514/5-3	3P INS REM SHORTING LNK FR 10mm WIDE TB	50	100	EA	51.56	B
	CA514/5-4	4P INS REM SHORTING LNK FR 10mm WIDE TB	50	100	EA	68.59	B
	MC2B4	MARKER CARD 6 MM PITCH WITH 72 TAGS	1	1	PKT	866.71	B
	MC2B4WP	PRNTD MARKER CARD 6 MM PITCH 72 TAGS	1	1	PKT	1,000.81	B



Wire Range : 1.5 - 16.0 mm<sup>2</sup>  
 Current (A) : 76 A  
 Voltage (V) : 1000 V  
 Dimensions Width (Thickness) x Length : 13 x 50 mm  
 Height with Din 32 x 15 mm Rail : 47.5 mm



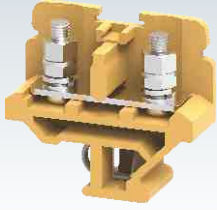
	Part #	Description	Std. Pack	MOQ	UOM	List Price in	Group
TERMINAL BLOCK	CSTSB5	16mm <sup>2</sup> M5 STUD SCREW DRVR OPTD MELAMIN TB	100	100	EA	79.40	C
ACCESSORIES	CSTSEP2	END PLATE FOR CSTSN4/N5/B4/B5	50	50	EA	12.82	C
	CSTSP	PARTITION PLATE FOR CSTSN4/N5/N6	50	50	EA	25.41	B
	CA512/5-2	2P REM SHORTING LINK FOR 10mm WIDE TB	100	200	EA	29.34	B
	CA512/5-3	3P REM SHORTING LINK FOR 10mm WIDE TB	50	100	EA	43.83	B
	CA512/5-4	4P REM SHORTING LINK FOR 10mm WIDE TB	50	100	EA	58.32	B
	CA514/5-2	2P INS REM SHORTING LNK FR 10mm WIDE TB	100	200	EA	34.29	B
	CA514/5-3	3P INS REM SHORTING LNK FR 10mm WIDE TB	50	100	EA	51.56	B
	CA514/5-4	4P INS REM SHORTING LNK FR 10mm WIDE TB	50	100	EA	68.59	B
	MC2B4	MARKER CARD 6 MM PITCH WITH 72 TAGS	1	1	PKT	866.71	B
MC2B4WP	PRNTD MARKER CARD 6 MM PITCH 72 TAGS	1	1	PKT	1,000.81	B	



Wire Range : 1.5 - 35.0 mm<sup>2</sup>  
 Current (A) : 57 A  
 Voltage (V) : 1000 V  
 Dimensions Width (Thickness) x Length : 15 x 50 mm  
 Height with Din 32 x 15 mm Rail : 47.5 mm



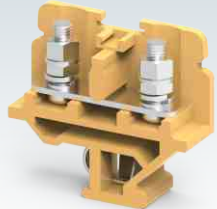
	Part #	Description	Std. Pack	MOQ	UOM	List Price in	Group
TERMINAL BLOCK	CSTSN415	10mm <sup>2</sup> M4(15P) STUD NUT DRVR OPTD MEL TB	100	100	EA		C
ACCESSORIES	CSTSEP2	END PLATE FOR CSTSN4/N5/B4/B5	50	50	EA	12.82	C
	CSTSP	PARTITION PLATE FOR CSTSN4/N5/N6	50	50	EA	25.41	B
	MC2B4	MARKER CARD 6 MM PITCH WITH 72 TAGS	1	1	PKT	866.71	B
	MC2B4WP	PRNTD MARKER CARD 6 MM PITCH 72 TAGS	1	1	PKT	1,000.81	B



Wire Range : 1.5 - 16.0 mm<sup>2</sup>  
 Current (A) : 76 A  
 Voltage (V) : 1100 V  
 Dimensions Width (Thickness) x Length : 17 x 50 mm  
 Height with Din 32 x 15 mm Rail : 47.5 mm



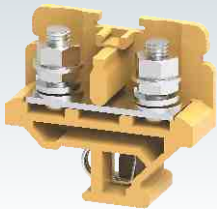
	Part #	Description	Std. Pack	MOQ	UOM	List Price in	Group
TERMINAL BLOCK	CSTSN5	16mm <sup>2</sup> M5 STUD NUT DRVR OPTD MELAMINE TB	100	100	EA	86.10	C
ACCESSORIES	CSTSEP2	END PLATE FOR CSTSN4/N5/B4/B5	50	50	EA	12.82	C
	CSTSPP	PARTITION PLATE FOR CSTSN4/N5/N6	50	50	EA	25.41	B
	MC2B4	MARKER CARD 6 MM PITCH WITH 72 TAGS	1	1	PKT	866.71	B
	MC2B4WP	PRNTD MARKER CARD 6 MM PITCH 72 TAGS	1	1	PKT	1,000.81	B



Wire Range : 1.5 - 16.0 mm<sup>2</sup>  
 Current (A) : 76 A  
 Voltage (V) : 1000 V  
 Dimensions Width (Thickness) x Length : 15 x 50 mm  
 Height with Din 32 x 15 mm Rail : 47.5 mm



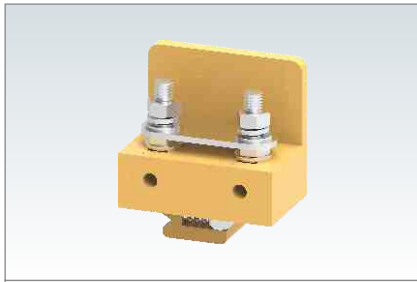
	Part #	Description	Std. Pack	MOQ	UOM	List Price in	Group
TERMINAL BLOCK	CSTSN515	16mm <sup>2</sup> M5(15P) STUD NUT DRVR OPTD MEL TB	100	100	EA		C
ACCESSORIES	CSTSEP2	END PLATE FOR CSTSN4/N5/B4/B5	50	50	EA	12.82	C
	CSTSPP	PARTITION PLATE FOR CSTSN4/N5/N6	50	50	EA	25.41	B
	MC2B4	MARKER CARD 6 MM PITCH WITH 72 TAGS	1	1	PKT	866.71	B
	MC2B4WP	PRNTD MARKER CARD 6 MM PITCH 72 TAGS	1	1	PKT	1,000.81	B



Wire Range : 1.5 - 16.0 mm<sup>2</sup>  
 Current (A) : 125 A  
 Voltage (V) : 1000 V  
 Dimensions Width (Thickness) x Length : 17 x 50 mm  
 Height with Din 32 x 15 mm Rail : 47.5 mm



	Part #	Description	Std. Pack	MOQ	UOM	List Price in	Group
TERMINAL BLOCK	CSTSN6	35mm <sup>2</sup> M6 STUD NUT DRVR OPTD MELAMINE TB	100	100	EA	120.80	C
ACCESSORIES	CSTSEP2	END PLATE FOR CSTSN4/N5/B4/B5	50	50	EA	12.82	C
	CSTSPP	PARTITION PLATE FOR CSTSN4/N5/N6	50	50	EA	25.41	B
	MC2B4	MARKER CARD 6 MM PITCH WITH 72 TAGS	1	1	PKT	866.71	B
	MC2B4WP	PRNTD MARKER CARD 6 MM PITCH 72 TAGS	1	1	PKT	1,000.81	B



Wire Range : 1.5 - 16.0 mm<sup>2</sup>  
 Current (A) : 76 A  
 Voltage (V) : 1100 V  
 Dimensions Width (Thickness) x Length : 26 x 43 mm  
 Height with Din 32 x 15 mm Rail : 53.5 mm



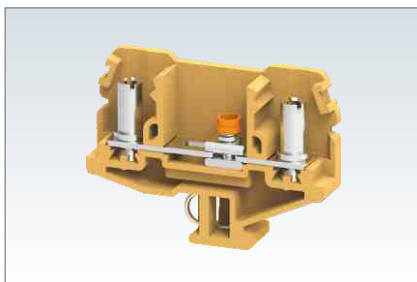
	Part #	Description	Std. Pack	MOQ	UOM	List Price in	Group
TERMINAL BLOCK	CSTS RN5	16mm <sup>2</sup> M5 STUD NUT DRVR OPTD MELAMINE TB	50	50	EA	110.12	C
ACCESSORIES	CSTSREP	END PLATE FR CSTSRN5/RN6	50	50	EA	17.79	B
	MC6	MARKER CARD 6 MM PITCH WITH 72 TAGS	1	1	PKT	866.71	B
	MC6WP	PRNTD MARKER CARD 6 MM PITCH 72 TAGS	1	1	PKT	1,000.81	B



Wire Range : 1.5 - 35.0 mm<sup>2</sup>  
 Current (A) : 125 A  
 Voltage (V) : 1100 V  
 Dimensions Width (Thickness) x Length : 26 x 43 mm  
 Height with Din 32 x 15 mm Rail : 53.5 mm




	Part #	Description	Std. Pack	MOQ	UOM	List Price in	Group
TERMINAL BLOCK	CSTS RN6	35mm <sup>2</sup> M6 STUD NUT DRVR OPTD MELAMINE TB	50	50	EA	147.04	C
ACCESSORIES	CSTSREP	END PLATE FR CSTSRN5/RN6	50	50	EA	17.79	B
	MC6	MARKER CARD 6 MM PITCH WITH 72 TAGS	1	1	PKT	866.71	B
	MC6WP	PRNTD MARKER CARD 6 MM PITCH 72 TAGS	1	1	PKT	1,000.81	B



Wire Range : 1.5 - 6.0 mm<sup>2</sup>  
 Current (A) : 41 A  
 Voltage (V) : 1000 V  
 Dimensions Width (Thickness) x Length : 13 x 68 mm  
 Height with Din 32 x 15 mm Rail : 51.7 mm




	Part #	Description	Std. Pack	MOQ	UOM	List Price in	Group
TERMINAL BLOCK	CMDT4	6 mm <sup>2</sup> M4 STUD TYP DISCONNECT MELAMINE TB	50	50	EA	111.50	C
	CMDT4S	6 mm <sup>2</sup> M4 STUD TYP DISCONNECT MELAMINE TB	50	50	EA	115.70	C
ACCESSORIES	EPCMDT4	END PLATE FOR CMDT4	50	50	EA	19.64	C
	MC2B4	MARKER CARD 6 MM PITCH WITH 72 TAGS	1	1	PKT	866.71	B
	MC2B4WP	PRNTD MARKER CARD 6 MM PITCH 72 TAGS	1	1	PKT	1,000.81	B




CTS35L                      CTS35LS

Wire Range : 16 - 50.0 mm<sup>2</sup>  
 Current (A) : 150 A  
 Voltage (V) : 1000 V  
 Dimensions Width (Thickness) x Length : 28 x 75 mm  
 Height with Din 32 x 15 mm Rail : 55.2 mm




	Part #	Description	Std. Pack	MOQ	UOM	List Price in	Group
TERMINAL BLOCK	CTS35L	50 mm <sup>2</sup> FEED THRU BOLT/NUT MELAMINE TB	10	10	EA	251.70	C
	CTS35LS	50 mm <sup>2</sup> FEED THRU SLTD BOLT MELAMINE TB	10	10	EA	255.60	C
ACCESSORIES	EP4P	PARTITION PLATE FOR CTS35L/70L/95L	10	10	EA	45.16	C
	CTSEP4	PARTITION PLATE FOR CTS35L/70L/95L	10	10	EA	48.05	C
	MC2B4	MARKER CARD 6 MM PITCH WITH 72 TAGS	1	1	PKT	866.71	B
	MC2B4WP	PRNTD MARKER CARD 6 MM PITCH 72 TAGS	1	1	PKT	1,000.81	B




CTS70L                      CTS70LS

Wire Range : 35 - 70.0 mm<sup>2</sup>  
 Current (A) : 192 A  
 Voltage (V) : 1000 V  
 Dimensions Width (Thickness) x Length : 40 x 92 mm  
 Height with Din 32 x 15 mm Rail : 55.2 mm




	Part #	Description	Std. Pack	MOQ	UOM	List Price in	Group
TERMINAL BLOCK	CTS70L	70 mm <sup>2</sup> FEED THRU BOLT/NUT MELAMINE TB	10	10	EA	411.80	C
	CTS70LS	70 mm <sup>2</sup> FEED THRU SLTD BOLT MELAMINE TB	10	10	EA	438.80	C
ACCESSORIES	EP4P	PARTITION PLATE FOR CTS35L/70L/95L	10	10	EA	45.16	C
	CTSEP4	PARTITION PLATE FOR CTS35L/70L/95L	10	10	EA	48.05	C
	MC2B4	MARKER CARD 6 MM PITCH WITH 72 TAGS	1	1	PKT	866.71	B
	MC2B4WP	PRNTD MARKER CARD 6 MM PITCH 72 TAGS	1	1	PKT	1,000.81	B



CTS95L                      CTS95LS

Wire Range : 35 - 95.0 mm<sup>2</sup>  
 Current (A) : 232 A  
 Voltage (V) : 1000 V  
 Dimensions Width (Thickness) x Length : 40 x 92 mm  
 Height with Din 32 x 15 mm Rail : 55.2 mm



	Part #	Description	Std. Pack	MOQ	UOM	List Price in	Group
TERMINAL BLOCK	CTS95L	95 mm <sup>2</sup> FEED THRU BOLT/NUT MELAMINE TB	10	10	EA	480.40	C
	CTS95LS	95 mm <sup>2</sup> FEED THRU SLTD BOLT MELAMINE TB	10	10	EA	484.50	C
ACCESSORIES	EP4P	PARTITION PLATE FOR CTS35L/70L/95L	10	10	EA	45.16	C
	MC2B4	MARKER CARD 6 MM PITCH WITH 72 TAGS	1	1	PKT	866.71	B
	MC2B4WP	PRNTD MARKER CARD 6 MM PITCH 72 TAGS	1	1	PKT	1,000.81	B

## MELAMINE TERMINAL BLOCKS



Wire Range : 0.2 - 2.5 mm<sup>2</sup>  
 Current (A) : 24 A  
 Voltage (V) : 400 V



	Part #	Description	Std. Pack	MOQ	UOM	List Price in	Group
TERMINAL BLOCK	CMST1	2.5 mm <sup>2</sup> 12 POLE STRIP MELAMINE TERMINAL	20	20	EA	170.90	B
	CMST110W	2.5 mm <sup>2</sup> 10 POLE STRIP MELAMINE TERMINAL	20	20	EA	152.90	B
	CMST12W	2.5 mm <sup>2</sup> 2 POLE STRIP MELAMINE TERMINAL	120	120	EA	30.90	B
	CMST13W	2.5 mm <sup>2</sup> 3 POLE STRIP MELAMINE TERMINAL	80	80	EA	45.90	B
	CMST14W	2.5 mm <sup>2</sup> 4 POLE STRIP MELAMINE TERMINAL	60	60	EA	61.20	B
ACCESSORIES	CMST15W	2.5 mm <sup>2</sup> 5 POLE STRIP MELAMINE TERMINAL	40	40	EA	76.70	B
	CMST16W	2.5 mm <sup>2</sup> 6 POLE STRIP MELAMINE TERMINAL	40	40	EA	91.80	B
	CMST17W	2.5 mm <sup>2</sup> 7 POLE STRIP MEL TERMINAL	30	30	EA	107.00	B
	CMST18W	2.5 mm <sup>2</sup> 8 POLE STRIP MELAMINE TERMINAL	30	30	EA	122.10	B
	CMST19W	2.5 mm <sup>2</sup> 9 POLE STRIP MELAMINE TERMINAL	25	25	EA	137.60	B



Wire Range : 0.2 - 4.0 mm<sup>2</sup>  
 Current (A) : 32 A  
 Voltage (V) : 600 V  
 Dimensions Width (Thickness) x Length : 6.7 x 40 mm  
 Height with Din 32 x 15 mm Rail : 52 mm



	Part #	Description	Std. Pack	MOQ	UOM	List Price in	Group
TERMINAL BLOCK	CTS4SC	4 mm <sup>2</sup> FD THRU SPRING LOADED MELAMINE TB	200	200	EA	39.00	C
ACCESSORIES	CTSEP1	END PLATE FOR CTS2.5/6/10	50	50	EA	8.89	C
	CTSP1L	PARTITION PLATE FOR CTS2.5/6/10 LONG	50	50	EA	19.06	C
	MC2	MARKER CARD 6 MM PITCH WITH 72 TAGS	1	1	PKT	866.71	B
	MC2WP	PRNTD MARKER CARD 6 MM PITCH 72 TAGS	1	1	PKT	1,000.81	B



Wire Range : 1.5 - 6.0 mm<sup>2</sup>  
 Current (A) : 41 A  
 Voltage (V) : 600 V  
 Dimensions Width (Thickness) x Length : 8 x 40 mm  
 Height with Din 32 x 15 mm Rail : 52 mm



	Part #	Description	Std. Pack	MOQ	UOM	List Price in	Group
TERMINAL BLOCK	CTS6SC	6 mm <sup>2</sup> FD THRU SPRING LOADED MELAMINE TB	200	200	EA	65.60	C
ACCESSORIES	CTSEP1	END PLATE FOR CTS2.5/6/10	50	50	EA	8.89	C
	CTSP1L	PARTITION PLATE FOR CTS2.5/6/10 LONG	50	50	EA	19.06	C
	MC2	MARKER CARD 6 MM PITCH WITH 72 TAGS	1	1	PKT	866.71	B
	MC2WP	PRNTD MARKER CARD 6 MM PITCH 72 TAGS	1	1	PKT	1,000.81	B



Wire Range : 1.5 - 10.0 mm<sup>2</sup>  
 Current (A) : 57 A  
 Voltage (V) : 800 V  
 Dimensions Width (Thickness) x Length : 11 x 50 mm  
 Height with Din 32 x 15 mm Rail : 59.5 mm



	Part #	Description	Std. Pack	MOQ	UOM	List Price in	Group
TERMINAL BLOCK	CTS10SC	10 mm <sup>2</sup> FD THRU SPRING LOADED MELAMINE TB	100	100	EA	70.10	C
ACCESSORIES	CTSEP1SC	END PLATE FOR CTS10SC	50	50	EA		C
	MC2	MARKER CARD 6 MM PITCH WITH 72 TAGS	1	1	PKT	866.71	B
	MC2WP	PRNTD MARKER CARD 6 MM PITCH 72 TAGS	1	1	PKT	1,000.81	B



Wire Range : 0.5 - 2.5 mm<sup>2</sup>  
 Current (A) : 24 A  
 Voltage (V) : 800 V  
 Dimensions Width (Thickness) x Length : 25 x 19 mm



	Part #	Description	Std. Pack	MOQ	UOM	List Price in	Group
TERMINAL BLOCK	CB4/1	2.5 mm <sup>2</sup> 1 POLE FLOATING TYPE CERAMIC TB	50	100	EA	40.43	A
	CB4/2	2.5 MM <sup>2</sup> 2 POLE FLOATING TYPE CERAMIC TB	100	200	EA	74.15	A
	CB4/2H	2.5MM <sup>2</sup> 2 POLE WITH MOUNT HOLE CERAMIC TB	50	100	EA	80.73	A
	CB4/3	2.5 MM <sup>2</sup> 3 POLE FLOATING TYPE CERAMIC TB	50	100	EA	106.14	A
	CB4/3H	2.5mm <sup>2</sup> 3 POLE WITH MOUNT HOLE CERAMIC TB	50	100	EA	121.04	A



Wire Range : 0.5 - 4.0 mm<sup>2</sup>  
 Current (A) : 32 A  
 Voltage (V) : 800 V  
 Dimensions Width (Thickness) x Length : 25 x 19 mm



	Part #	Description	Std. Pack	MOQ	UOM	List Price in	Group
TERMINAL BLOCK	CB6/1	4 mm <sup>2</sup> 1 POLE FLOATING TYPE CERAMIC TB	50	100	EA	48.97	A
	CB6/2H	4 mm <sup>2</sup> 2 POLE WITH MOUNT HOLE CERAMIC TB	50	100	EA	97.83	A
	CB6/3H	4 mm <sup>2</sup> 3 POLE WITH MOUNT HOLE CERAMIC TB	50	100	EA	146.80	A
	CB6/4H	4 mm <sup>2</sup> 4 POLE WITH MOUNT HOLE CERAMIC TB	50	100	EA	180.41	A



Part #	Description	UOM	Std. Pack	MOQ	Group	List Price in ₹
AGT2.5	2.5 mm <sup>2</sup> ANG FEED THRU SP CL GROUNDING TB	EA	100	100	A	110.80
AS2.5	2.5mm <sup>2</sup> ANGULAR FEED THRU SPRING CLAMP TB	EA	100	100	A	17.20
AS2.5/3	2.5mm <sup>2</sup> ANGULAR FEED THRU SP CL 3 WIRE TB	EA	100	100	A	37.20
AS2.5/3BU	2.5 mm <sup>2</sup> ANG FEED THRU SP CL 3WIRE TB BLU	EA	100	300	A	41.00
AS2.5/4	2.5 mm <sup>2</sup> ANG FEED THRU SP CL 4 WIRE TB	EA	100	100	A	40.10
AS2.5/4BU	2.5 mm <sup>2</sup> ANG FEED THRU SP CL 4WIRE TB BLU	EA	100	300	A	44.20
AS2.5/4R	2.5 mm <sup>2</sup> ANG FEED THRU SP CL 4WIRE TB RED	EA	100	300	A	44.20
AS2.5BK	2.5mm <sup>2</sup> ANG FEED THRU SPRING CLAMP TB BLK	EA	100	500	A	19.00
AS2.5BU	2.5mm <sup>2</sup> ANG FEED THRU SPRING CLAMP TB BLU	EA	100	500	A	19.00
AS2.5R	2.5mm <sup>2</sup> ANG FEED THRU SPRING CLAMP TB RED	EA	100	500	A	19.00
AS2.5Y	2.5mm <sup>2</sup> ANG FEED THRU SPRING CLAMP TB YLW	EA	100	500	A	19.00
AS4	4 mm <sup>2</sup> ANGULAR FEED THRU SPRING CLAMP TB	EA	100	100	A	32.00
AS4/3	4 mm <sup>2</sup> ANGULAR FEED THRU SP CL 3 WIRE TB	EA	100	100	A	58.40
AS4/3BU	4 mm <sup>2</sup> ANG FEED THRU SP CL 3 WIRE TB BLU	EA	100	300	A	64.30
AS4/4	4 mm <sup>2</sup> ANGULAR FEED THRU SP CL 4 WIRE TB	EA	100	100	A	69.70
AS4/4R	4mm <sup>2</sup> ANG FEED THRU SP CL 4 WIRE TB RED	EA	100	300	A	76.70
AS4BK	4mm <sup>2</sup> ANG FEED THRU SPRING CLAMP TB BLACK	EA	100	500	A	35.20
AS4BU	4 mm <sup>2</sup> ANG FEED THRU SPRING CLAMP TB BLUE	EA	100	500	A	35.20
AS4R	4 mm <sup>2</sup> ANG FEED THRU SPRING CLAMP TB RED	EA	100	500	A	35.20
AUX6	6 mm <sup>2</sup> AUX TB FOR CTS50/70N & CTS95/120N	EA	10	100	B	58.90
CA102	POLYAMIDE SCREW END CLAMP FOR DIN35/32	EA	50	50	B	30.30
CA103	POLYAMIDE SCREWLESS END CLAMP FOR DIN35	EA	50	50	A	13.80
CA104	POLYAMIDE SCREWLESS END CLAMP FOR DIN35	EA	50	50	A	16.70
CA202	POLYAMIDE SCREW END CLAMP FOR DIN35	EA	25	25	B	32.40
CA302	STEEL SCREW END CLAMP FOR DIN35	EA	50	50	B	17.80
CA402	STEEL SCREW END CLAMP FOR DIN35-15	EA	50	50	B	17.80
CA501-1M	DIN32 RAIL 1 METER LONG	EA	25	25	A	232.70
CA501-1M-S	DIN32 RAIL SLOTTED 1 METER LONG	EA	25	25	A	252.10
CA501-2M	DIN32 RAIL 2 METER LONG	EA	25	25	A	465.20
CA501-2M-S	DIN32 RAIL SLOTTED 2 METER LONG	EA	25	25	A	503.90
CA502	STEEL SCREW END CLAMP FOR DIN32 RAIL	EA	50	50	C	9.80
CA507/L/1	LONG SHORTNG STUD FOR 6.7 & 8mm WIDE TB	EA	100	500	C	11.60
CA509/K2GWHT	BLANK K-TYPE MARKR FR CDLG/CTLG2.5 WHT	PKT	1	2	B	108.80
CA509/K2GWP	K-TYPE PRNTD MARKR FR CDLG/CTLG2.5 WHT	PKT	1	5	B	124.30
CA512/13-2	2P REM SHORTING LINK FOR 11mm WIDE TB	EA	100	200	B	29.40
CA512/13-3	3P REM SHORTING LINK FOR 11mm WIDE TB	EA	50	100	B	43.90
CA512/13-4	4P REM SHORTING LINK FOR 11mm WIDE TB	EA	50	100	B	58.40
CA512/14-2	2P PERM SHORTING LINK FOR 11mm WIDE TB	EA	100	200	B	29.40
CA512/14-3	3P PERM SHORTING LINK FOR 11mm WIDE TB	EA	50	100	B	43.90
CA512/14-4	4P PERM SHORTING LINK FOR 11mm WIDE TB	EA	50	100	B	58.40
CA512/15-2	2POLE REM SHORTING LINK FOR 9MM WIDE TB	EA	100	200	B	29.40
CA512/15-3	3POLE REM SHORTING LINK FOR 9MM WIDE TB	EA	50	100	B	43.90
CA512/15-4	4POLE REM SHORTING LINK FOR 9MM WIDE TB	EA	50	100	B	58.40
CA512/17-2	2POLE PERM SHORTING LINK FOR 9mm WIDE TB	EA	100	200	B	29.40
CA512/17-4	4POLE PERM SHORTING LINK FOR 9MM WIDE TB	EA	50	100	B	58.40
CA512/2-2	2P REM SHORTING LINK FOR 13mm WIDE TB	EA	100	200	B	29.40
CA512/2-3	3P REM SHORTING LINK FOR 13mm WIDE TB	EA	50	100	B	43.90
CA512/2-4	4P REM SHORTING LINK FOR 13mm WIDE TB	EA	50	100	B	58.40
CA512/3-2	2P PERM SHORTING LINK FOR 17mm WIDE TB	EA	100	200	B	29.40
CA512/3-4	4P PERM SHORTING LINK FOR 17mm WIDE TB	EA	50	100	B	58.40
CA512/4-2	2P PERM SHORTING LINK FOR 13mm WIDE TB	EA	100	200	B	29.40

Part #	Description	UOM	Std. Pack	MOQ	Group	List Price in ₹
CA512/4-3	3P PERM SHORTING LINK FOR 13mm WIDE TB	EA	50	100	B	43.90
CA512/4-4	4P PERM SHORTING LINK FOR 13mm WIDE TB	EA	50	100	B	58.40
CA512/5-2	2P REM SHORTING LINK FOR 10mm WIDE TB	EA	100	200	B	29.40
CA512/5-3	3P REM SHORTING LINK FOR 10mm WIDE TB	EA	50	100	B	43.90
CA512/5-4	4P REM SHORTING LINK FOR 10mm WIDE TB	EA	50	100	B	58.40
CA512/7-2	2P REM SHORTING LINK FOR 17mm WIDE TB	EA	100	200	B	29.40
CA514/1-2	2P INS REM SHRTG LINK FOR 17mm WIDE TB	EA	100	200	B	34.30
CA514/1-3	3P INS REM SHRTG LINK FOR 17mm WIDE TB	EA	50	100	B	51.60
CA514/13-2	2P INS REM SHORTING LNK FR 11mm WIDE TB	EA	100	200	B	34.30
CA514/13-3	3P INS REM SHORTING LNK FR 11mm WIDE TB	EA	50	100	B	51.60
CA514/13-4	4P INS REM SHORTING LNK FR 11mm WIDE TB	EA	50	100	B	68.60
CA514/1-4	4P INS REM SHRTG LINK FOR 17mm WIDE TB	EA	50	100	B	68.60
CA514/14-10	10P INS PERM SHORTNG LNK FR 11mm WIDE TB	EA	10	20	B	171.00
CA514/14-2	2P INS PERM SHORTING LNK FR 11mm WIDE TB	EA	100	200	B	34.30
CA514/14-3	3P INS PERM SHORTING LNK FR 11mm WIDE TB	EA	50	100	B	51.60
CA514/14-3A	3P INS ALT PERM SHRT LNK FR 11mm WIDE TB	EA	10	50	B	68.60
CA514/14-4	4P INS PERM SHORTING LNK FR 11mm WIDE TB	EA	50	100	B	68.60
CA514/15-2	2P INS REM SHRT LINK FR 9mm WIDE TB	EA	100	200	B	34.30
CA514/15-3	3P INS REM SHRT LINK FR 9mm WIDE TB	EA	50	100	B	51.60
CA514/15-4	4P INS REM SHRT LINK FR 9mm WIDE TB	EA	50	100	B	68.60
CA514/17-2	2P INS PERM SHORTING LINK FR 9mm WIDE TB	EA	100	200	B	34.30
CA514/17-3	3P INS PERM SHORTING LINK FR 9mm WIDE TB	EA	50	100	B	51.60
CA514/17-4	4P INS PERM SHRT LINK FR 9mm WIDE TB	EA	50	100	B	68.60
CA514/2-2	2P INS REM SHORTING LNK FR 13mm WIDE TB	EA	100	200	B	34.30
CA514/2-3	3P INS REM SHORTING LNK FR 13mm WIDE TB	EA	50	100	B	51.60
CA514/2-4	4P INS REM SHORTING LNK FR 13mm WIDE TB	EA	50	100	B	68.60
CA514/3-2	2P INS PERM SHRTG LINK FOR 17mm WIDE TB	EA	100	200	B	34.30
CA514/3-4	4P INS PERM SHRTG LINK FOR 17mm WIDE TB	EA	50	100	B	68.60
CA514/4-2	2P INS PERM SHORTING LNK FR 13mm WIDE TB	EA	100	200	B	34.30
CA514/4-3	3P INS PERM SHORTING LNK FR 13mm WIDE TB	EA	50	100	B	51.60
CA514/4-4	4P INS PERM SHORTING LNK FR 13mm WIDE TB	EA	50	100	B	68.60
CA514/5-2	2P INS REM SHORTING LNK FR 10mm WIDE TB	EA	100	200	B	34.30
CA514/5-3	3P INS REM SHORTING LNK FR 10mm WIDE TB	EA	50	100	B	51.60
CA514/5-4	4P INS REM SHORTING LNK FR 10mm WIDE TB	EA	50	100	B	68.60
CA514/6-2	2P INS PERM SHORTING LNK FR 10mm WIDE TB	EA	100	200	B	34.30
CA514/6-4	4P INS PERM SHORTING LNK FR 10mm WIDE TB	EA	50	100	B	68.60
CA514/7-2	2P INS REM SHRT LNK FR 17mm WIDE TB	EA	100	200	B	34.30
CA514/8-2	2P INS PERM SHORTING LNK FR 17mm WIDE TB	EA	100	200	B	34.30
CA522/10	10P PRE ASSEM SHRT LINK FR 6.7mm WIDE TB	EA	10	50	C	107.10
CA522/2	2P PRE ASSEM SHRT LINK FR 6.7mm WIDE TB	EA	100	200	C	21.70
CA522/3	3P PRE ASSEM SHRT LINK FOR 6.7mm WIDE TB	EA	100	100	C	32.20
CA522/4	4P PRE ASSEM SHRT LINK FOR 6.7mm WIDE TB	EA	100	100	C	42.90
CA601-1M	DIN15 RAIL 1 METER	EA	100	100	A	110.60
CA602	POLYAMIDE SCREW END CLAMP FOR DIN15	EA	50	50	B	10.10
CA603	STEEL MOUNTING BRACKET ANGULAR	EA	25	25	B	30.60
CA607/L/Q	LONG SLV SCREW FOR TEMP SHRT 6mm WIDE TB	EA	100	300	B	9.90
CA607/S/Q	SHORT SLV SCRW FOR PERM SHRT 6mm WIDE TB	EA	100	300	B	8.70
CA623/10	10P PRE ASSEM SHRT LINK FOR 6mm WIDE TB	EA	10	20	B	95.30
CA623/2	2P PRE ASSEM SHRT LINK FOR 6mm WIDE TB	EA	100	200	B	19.20
CA623/3	3P PRE ASSEM SHRT LINK FOR 6mm WIDE	EA	100	200	B	28.80
CA623/4	4P PRE ASSEM SHRT LINK FOR 6mm WIDE TB	EA	100	200	B	38.30

Part #	Description	UOM	Std. Pack	MOQ	Group	List Price in ₹
CA624/10	10P PRE ASSEM SHRT LINK FOR 8mm WIDE TB	EA	10	40	B	107.10
CA624/2	2P PRE ASSEM SHRT LINK FOR 8mm WIDE TB	EA	100	200	B	21.70
CA624/3	3P PRE ASSEM SHRT LINK FOR 8mm WIDE TB	EA	100	200	B	32.20
CA624/4	4P PRE ASSEM SHRT LINK FOR 8mm WIDE TB	EA	100	200	B	42.90
CA625/10	10P PRE ASSEM SHRT LINK FOR 10mm WIDE TB	EA	10	40	B	118.70
CA625/2	2P PRE ASSEM SHRT LINK FOR 10mm WIDE TB	EA	100	200	B	24.10
CA625/3	3P PRE ASSEM SHRT LINK FOR 10mm WIDE TB	EA	100	200	B	35.80
CA627/10	10P PRE ASSEM SHRT LINK FOR 6mm WIDE TB	EA	10	40	B	93.40
CA627/2	2P PRE ASSEM SHRT LINK FOR 6mm WIDE TB	EA	100	200	B	18.90
CA628/2	2 POLE SHORTING LNK SET FOR CTS50/70N	EA	10	20	B	124.40
CA628/3	3 POLE SHORTING LNK SET FOR CTS50/70N	EA	10	20	B	186.60
CA629/2	2 POLE SHORTING LNK SET FOR CTS95/120N	EA	10	20	B	163.20
CA629/3	3 POLE SHORTING LNK SET FOR CTS95/120N	EA	10	20	B	244.60
CA644/10	10W INS PRE ASS LNK FR CTS6USC/CHV6U	EA	10	20	B	176.80
CA645/10	10W INS PRE ASS LNK FR CTS10USC	EA	10	20	B	195.30
CA701-15-1M	DIN35 X 15mm RAIL 1 METER LONG	EA	25	25	A	244.30
CA701-15-1M-S	DIN35 X 15mm RAIL SLOTTED 1 METER LONG	EA	25	25	A	263.70
CA701-15-2M	DIN35 X 15mm RAIL 2 METER LONG	EA	25	25	A	488.60
CA701-15-2M-S	DIN35 X 15mm RAIL SLOTTED 2 METER LONG	EA	25	25	A	527.30
CA701-1M	DIN35 X 7.5mm RAIL 1 METER LONG	EA	25	25	A	135.60
CA701-1M-S	DIN35 X 7.5mm RAIL SLOTTED 1 METER LONG	EA	50	50	A	155.20
CA701-2M	DIN35 X 7.5mm RAIL 2 METER LONG	EA	25	25	A	271.30
CA701-2M-S	DIN35 X 7.5mm RAIL SLOTTED 2 METER LONG	EA	25	25	A	310.00
CA701-AL-1M	DIN35 ALUMINIUM RAIL 1 METER LONG	EA	50	50	A	484.60
CA702	POLYAMIDE SCREW END CLAMP FOR DIN35/32	EA	50	50	B	15.30
CA703	STEEL MOUNTING BRACKET HOLE M6 HT 1 INCH	EA	25	25	B	24.40
CA703/01	2P PERM SHORTING LINK FOR 5mm WIDE TB	EA	100	400	B	6.10
CA703/1	2P PERM SHORTING LINK FOR 6mm WIDE TB	EA	100	400	B	6.10
CA703/10	2P PERM SHORTING LINK FOR 16mm WIDE TB	EA	100	400	B	11.00
CA703/11	2 POLE SHORTING LINK KIT FOR PTB70/95	EA	10	20	B	128.30
CA703/2	2POLE PERM SHORTING LINK FOR 8mm WIDE TB	EA	100	200	B	6.30
CA703/3	2P PERM SHORTING LINK FOR 10mm WIDE TB	EA	100	400	B	7.60
CA703/4	2P PERM SHORTING LINK FOR 12mm WIDE TB	EA	100	400	B	10.20
CA703/6	2POLE PERM SHORTING LINK FOR 8mm WIDE TB	EA	100	200	B	6.10
CA703/8	2P PERM SHORTING LINK FOR 12mm WIDE TB	EA	100	500	B	10.20
CA703/9	2 POLE SHORTING LINK KIT FOR PTB35/50	EA	10	50	B	97.10
CA704/01	3POLE PERM SHORTING LINK FOR 5mm WIDE TB	EA	100	200	B	9.00
CA704/1	3POLE PERM SHORTING LINK FOR 6mm WIDE TB	EA	100	200	B	9.00
CA704/2	3POLE PERM SHORTING LINK FOR 8mm WIDE TB	EA	100	400	B	9.60
CA704/3	3POLE PERM SHORTING LINK FR 10mm WIDE TB	EA	100	400	B	11.30
CA704/4	3POLE PERM SHORTING LINK FR 12mm WIDE TB	EA	100	400	B	15.30
CA704/9	3 POLE SHORTING LINK KIT FOR PTB35/50	EA	10	40	B	169.60
CA705/1	4POLE PERM SHORTING LINK FR 6mm WIDE TB	EA	100	400	B	11.80
CA705/10	4POLE PERM SHORTING LINK FR 15mm WIDE TB	EA	100	500	B	21.90
CA705/2	4POLE PERM SHORTING LINK FR 8mm WIDE TB	EA	100	500	B	12.60
CA705/3	4POLE PERM SHORTING LINK FR 10mm WIDE TB	EA	100	500	B	15.00
CA705/4	4POLE PERM SHORTING LINK FR 12mm WIDE TB	EA	100	500	B	20.30
CA705/8	4POLE PERM SHORTING LINK FR 12mm WIDE TB	EA	100	500	B	20.30
CA706/01	2POLE REM SHORTING LINK FOR 5mm WIDE TB	EA	100	100	B	6.30
CA706/1	2POLE REM SHORTING LINK FOR 6mm WIDE TB	EA	100	100	B	6.30
CA706/2	2POLE REM SHORTING LINK FOR 8mm WIDE TB	EA	100	100	B	6.30

Part #	Description	UOM	Std. Pack	MOQ	Group	List Price in ₹
CA707/L/Q/01	LONG SLV SCRW FR TEMP SHRT 5&6mm WIDE TB	EA	100	100	B	9.60
CA707/L/Q/1	LONG SLV SCRW FR TEMP SHT 8&10mm WIDE TB	EA	100	500	B	10.80
CA707/S/Q/01	SHORT SLV SCRW FR PERM SHT 5&6mm WIDE TB	EA	100	100	B	8.70
CA707/S/Q/1	SHORT SLV SW FR PER SHT 8/10/12mm WID TB	EA	100	500	B	9.60
CA707/S/Q/2	SHORT SLV SW FR PER SHRT 12&16mm WIDE TB	EA	100	500	B	11.00
CA710/10	10P INS EXT SHORTING LINK FR 8mm WIDE TB	EA	20	20	B	155.30
CA710/2	2P INS EXT SHORTING LINK FOR 8mm WIDE TB	EA	100	100	B	31.20
CA710/3	3P INS EXT SHORTING LINK FOR 8mm WIDE TB	EA	50	50	B	46.60
CA710/4	4P INS EXT SHORTING LINK FOR 8mm WIDE TB	EA	50	50	B	62.20
CA711/10	10P INS EXT SHORTING LINK FR 8mm WIDE TB	EA	20	20	B	155.30
CA711/2	2P INS EXT SHORTING LINK FOR 8mm WIDE TB	EA	100	100	B	31.20
CA711/3	3P INS EXT SHORTING LINK FOR 8mm WIDE TB	EA	50	50	B	46.60
CA711/4	4P INS EXT SHORTING LINK FOR 8mm WIDE TB	EA	50	50	B	62.20
CA713/10	10W INSU COMB LNK FR CTS4UN/CKT4U	EA	20	20	B	136.10
CA713/2	2P INS EXT SHORTING LINK FOR 6mm WIDE TB	EA	100	100	B	27.50
CA713/4	4P INS EXT SHORTING LINK FOR 6mm WIDE TB	EA	100	100	B	54.60
CA714/10	10P INS EXT SHORTING LINK FR 6mm WIDE TB	EA	20	20	B	136.10
CA714/2	2P INS EXT SHORTING LINK FOR 6mm WIDE TB	EA	100	100	B	27.50
CA714/3	3P INS EXT SHORTING LINK FOR 6mm WIDE TB	EA	100	100	B	41.10
CA714/4	4P INS EXT SHORTING LINK FOR 6mm WIDE TB	EA	100	100	B	54.60
CA715/10	10P INS EXT SHORTING LNK FOR 6mm WIDE TB	EA	20	20	B	136.10
CA716/10	10P INS EXT SHORTING LNK FOR 9mm WIDE TB	EA	20	80	B	155.30
CA716/2	2P INS EXT SHORTING LINK FOR 9mm WIDE TB	EA	50	300	B	31.20
CA716/3	3P INS EXT SHORTING LINK FOR 9mm WIDE TB	EA	50	200	B	46.60
CA716/4	4P INS EXT SHORTING LINK FOR 9mm WIDE TB	EA	50	200	B	62.20
CA716/5-3A	3 WAY INSU COMB LINK FOR CB16	EA	50	200	B	85.40
CA717/10	10P INS EXT SHORTING LINK FR 5mm WIDE TB	EA	20	20	B	136.10
CA717/2	2P INS EXT SHORTING LINK FR 5mm WIDE TB	EA	100	100	B	27.50
CA717/3	3P INS EXT SHORTING LINK FR 5mm WIDE TB	EA	100	100	B	41.10
CA717/4	4P INS EXT SHORTING LINK FR 5mm WIDE TB	EA	100	100	B	54.60
CA718/10	10P INS EXT SHORTING LNK FR 10mm WIDE TB	EA	20	40	B	180.70
CA718/2	2P INS EXT SHORTING LINK FR 10mm WIDE TB	EA	100	200	B	36.40
CA718/3	3P INS EXT SHORTING LINK FR 10mm WIDE TB	EA	50	250	B	54.30
CA718/4	4P INS EXT SHORTING LINK FR 10mm WIDE TB	EA	50	250	B	72.40
CA721/10	10P PRE ASSEM SHRT LINK FOR 5mm WIDE TB	EA	10	10	B	95.40
CA721/100	100P PRE ASSEM SHRT LNK FOR 5mm WIDE TB	EA	10	10	B	932.10
CA721/2	2P PRE ASSEMBLED SHRT LNK FR 5mm WIDE TB	EA	100	100	B	19.40
CA721/3	3P PRE ASSEMBLED SHRT LNK FR 5mm WIDE TB	EA	100	100	B	29.00
CA721/4	4P PRE ASSEMBLED SHRT LNK FR 5mm WIDE TB	EA	100	100	B	38.70
CA722/10	10P PRE ASSEM SHORT LINK FOR 6mm WIDE TB	EA	10	10	B	99.10
CA722/100	100P PRE ASSEM SHRT LINK FOR 6mm WIDE TB	EA	10	20	B	932.10
CA722/10N	10P PRE ASSEMBLD SHRT LNK FR 6mm WIDE TB	EA	10	50	B	155.30
CA722/2	2P PRE ASSEMBLED SHRT LNK FR 6mm WIDE TB	EA	100	100	B	20.60
CA722/3	3P PRE ASSEMBLED SHRT LNK FR 6mm WIDE TB	EA	100	100	B	30.20
CA722/4	4P PRE ASSEMBLED SHRT LNK FR 6mm WIDE TB	EA	100	100	B	39.90
CA722/5	5W PRE ASS LNK FR CTS4UN	EA	10	50	B	77.80
CA722/6	6W PRE ASS LNK FR CTS4UN & CR4(NPCIL)	EA	10	50	B	88.80
CA723/10	10P PRE ASSEM SHRT LINK FOR 8mm WIDE TB	EA	10	30	B	114.80
CA723/2	2P PRE ASSEM SHRT LINK FOR 8mm WIDE TB	EA	100	300	B	23.00
CA723/3	3P PRE ASSEM SHRT LINK FOR 8mm WIDE TB	EA	50	150	B	34.70
CA723/4	4P PRE ASSEM SHRT LINK FOR 8mm WIDE TB	EA	50	150	B	46.20

Part #	Description	UOM	Std. Pack	MOQ	Group	List Price in ₹
CA723/5	5P PRE ASSEM SHRT LINK FOR 8mm WIDE TB	EA	50	150	B	58.40
CA723/6	6P PRE ASSEM SHRT LINK FOR 8mm WIDE TB	EA	50	100	B	75.90
CA723/7	7P PRE ASSEM SHRT LINK FOR 8mm WIDE TB	EA	10	30	B	91.60
CA724/10	10P PRE ASSEM SHRT LINK FOR 10mm WIDE TB	EA	10	30	B	124.40
CA724/2	2P PRE ASSEM SHRT LINK FOR 10mm WIDE TB	EA	100	300	B	24.90
CA724/3	3P PRE ASSEM SHRT LINK FOR 10mm WIDE TB	EA	50	150	B	37.50
CA724/4	4P PRE ASSEM SHRT LINK FOR 10mm WIDE TB	EA	50	100	B	50.00
CA725/10	10P PRE ASSEM SHRT LINK FOR 12mm WIDE TB	EA	10	20	B	151.60
CA725/2	2P PRE ASSEM SHRT LINK FOR 12mm WIDE TB	EA	50	50	B	30.50
CA725/3	3P PRE ASSEM SHRT LINK FOR 12mm WIDE TB	EA	20	100	B	45.70
CA725/4	4P PRE ASSEM SHRT LINK FOR 12mm WIDE TB	EA	20	100	B	60.80
CA727/10	10P PRE ASSEM SHRT LINK FOR 6mm WIDE TB	EA	10	10	B	93.40
CA727/2	2P PRE ASSEM SHRT LINK FOR 6mm WIDE TB	EA	100	100	B	18.90
CA727/3	3P PRE ASSEM SHRT LINK FOR 6mm WIDE TB	EA	100	200	B	28.10
CA727/4	4P PRE ASSEM SHRT LINK FOR 6mm WIDE TB	EA	100	200	B	37.50
CA728/10	10P PRE ASSEM SHRT LINK FOR 9mm WIDE TB	EA	10	50	B	105.00
CA728/2	2P PRE ASSEM SHRT LINK FOR 9mm WIDE TB	EA	50	250	B	21.20
CA728/3	3P PRE ASSEM SHRT LINK FOR 9mm WIDE TB	EA	50	250	B	31.70
CA729/10	10P PRE ASSEM SHRT LINK FOR 8mm WIDE TB	EA	10	20	B	105.00
CA729/2	2P PRE ASSEM SHRT LINK FOR 8mm WIDE TB	EA	100	200	B	21.20
CA729/3	3P PRE ASSEM SHRT LINK FOR 8mm WIDE TB	EA	50	100	B	31.70
CA729/4	4P PRE ASSEMBLED SHRT LNK FR 8mm WIDE TB	EA	50	100	B	42.10
CA731/10	10P PERM SHORTING LINK FOR 5mm WIDE TB	EA	100	100	B	29.40
CA731/100	100P PERM SHRTNG LINK BRK FR 5mm WIDE TB	EA	10	20	B	291.40
CA732/10	10P PERM SHORTING LINK FOR 6mm WIDE TB	EA	100	200	B	29.40
CA732/100	100P PERM SHRTNG LINK BRK FR 6mm WIDE TB	EA	10	20	B	291.40
CA733/10	10P PERM SHORTING LINK FOR 6mm WIDE TB	EA	100	200	B	31.20
CA734/10	10P PERM SHORTING LNK FOR 10mm WIDE TB	EA	100	200	B	37.00
CA735/10	10P PERM SHORTING LNK FOR 12mm WIDE TB	EA	100	200	B	50.50
CA739/10	10P PERM SHORTING LINK FOR 12mm WIDE TB	EA	100	200	B	50.50
CA741/10	10P INS PRE ASSM SHRT LINK FR5mm WIDE TB	EA	10	20	B	198.10
CA741/2	2P INS PRE ASSEM SHRT LINK FR5mm WIDE TB	EA	100	100	B	39.90
CA741/3	3P INS PRE ASSEM SHRT LINK FR5mm WIDE TB	EA	100	200	B	55.50
CA741/4	4P INS PRE ASSEM SHRT LINK FR5mm WIDE TB	EA	100	200	B	79.10
CA742/10	10P INS PREASSEM SHRT LINK FR6mm WIDE TB	EA	10	20	B	197.30
CA742/100	100P INS PREASSEM SHRT LNK FR6mm WIDE TB	EA	10	10	B	1,844.90
CA742/2	2P INS PREASSEM SHRT LINK FR 6mm WIDE TB	EA	100	100	B	39.60
CA742/3	3P INS PREASSEM SHRT LINK FR 6mm WIDE TB	EA	100	100	B	55.50
CA742/4	4P INS PREASSEM SHRT LINK FR 6mm WIDE TB	EA	100	100	B	73.90
CA743/10	10P INS PREASSEM SHRT LINK FR8mm WIDE TB	EA	10	10	B	194.20
CA743/2	2P INS PREASSEM SHRT LINK FR 8mm WIDE TB	EA	100	100	B	38.80
CA743/3	3P INS PREASSEM SHRT LINK FR 8mm WIDE TB	EA	100	100	B	58.40
CA743/4	4P INS PREASSEM SHRT LINK FR 8mm WIDE TB	EA	50	50	B	77.80
CA744/10	10P INS PREASSEM SHRT LNK FR10mm WIDE TB	EA	10	10	B	202.20
CA744/2	2P INS PREASSEM SHRT LINK FR10mm WIDE TB	EA	100	100	B	40.50
CA744/3	3P INS PREASSEM SHRT LINK FR10mm WIDE TB	EA	50	50	B	60.80
CA744/4	4P INS PREASSEM SHRT LINK FR10mm WIDE TB	EA	50	50	B	81.10
CA745/10	10P INS PREASSEM SHRT LNK FR12mm WIDE TB	EA	10	10	B	274.00
CA745/2	2P INS PREASSEM SHRT LINK FR12mm WIDE TB	EA	50	50	B	55.10
CA745/3	3P INS PREASSEM SHRT LINK FR12mm WIDE TB	EA	50	50	B	82.40
CA745/4	4P INS PREASSEM SHRT LINK FR12mm WIDE TB	EA	50	50	B	109.60

Part #	Description	UOM	Std. Pack	MOQ	Group	List Price in ₹
CA747/10	10P INS PREASSEM SHRT LINK FR6mm WIDE TB	EA	10	10	B	184.70
CA747/2	2P INS PREASSEM SHRT LINK FR 6mm WIDE TB	EA	100	100	B	37.00
CA747/3	3P INS PREASSEM SHRT LINK FR 6mm WIDE TB	EA	100	100	B	55.50
CA747/4	4P INS PREASSEM SHRT LINK FR 6mm WIDE TB	EA	100	100	B	73.90
CA749/10	10P INS PREASSEM SHRT LINK FR8mm WIDE TB	EA	10	10	B	194.20
CA749/2	2P INS PREASSEM SHRT LINK FR 8mm WIDE TB	EA	100	100	B	38.80
CA749/4	4P INS PREASSEM SHRT LINK FR 8mm WIDE TB	EA	50	50	B	77.80
CA751/10	10P PRE ASSEM SHRT LINK FOR 12mm WIDE TB	EA	10	10	B	136.10
CA751/2	2P PRE ASSEM SHRT LINK FOR 12mm WIDE TB	EA	50	50	B	27.50
CA751/3	3P PRE ASSEM SHRT LINK FOR 12mm WIDE TB	EA	50	50	B	41.10
CA751/4	4P PRE ASSEM SHRT LINK FOR 12mm WIDE TB	EA	50	50	B	54.60
CA761/10	10P INS PREASSEM SHRT LNK FR12mm WIDE TB	EA	10	10	B	274.00
CA761/2	2P INS PREASSEM SHRT LINK FR12mm WIDE TB	EA	50	50	B	55.10
CA761/3	3P INS PREASSEM SHRT LINK FR12mm WIDE TB	EA	50	50	B	82.40
CA761/4	4P INS PREASSEM SHRT LINK FR12mm WIDE TB	EA	50	50	B	109.60
CA771/10	10P PRE ASSEM SHRT LNK FR 16mm WIDE TB	EA	10	10	B	162.10
CA771/2	2P PRE ASSEM SHRT LINK FR 16mm WIDE TB	EA	50	50	B	32.50
CA771/3	3P PRE ASSEM SHRT LINK FR 16mm WIDE TB	EA	20	20	B	48.70
CA771/4	4P PRE ASSEM SHRT LINK FR 16mm WIDE TB	EA	20	20	B	64.90
CA772/10	10P PRE ASSEM SHRT LINK FR 13mm WIDE TB	EA	10	10	B	134.20
CA772/2	2P PRE ASSEM SHRT LINK FR 13mm WD TB	EA	100	100	B	27.00
CA772/3	3P PRE ASSEM SHRT LINK FR 13mm WD TB	EA	50	50	B	40.40
CA772/4	4P PRE ASSEM SHRT LINK FR 13mm WD TB	EA	50	50	B	53.80
CA773/10	10P PRE ASSEM SHRT LINK FR 9mm WD TB	EA	10	10	B	116.60
CA773/2	2P PRE ASSEM SHRT LINK FOR 9mm WIDE TB	EA	100	100	B	23.50
CA773/3	3P PRE ASSEM SHRT LINK FOR 9mm WIDE TB	EA	50	500	B	35.10
CA773/4	4P PRE ASSEM SHRT LINK FOR 9mm WIDE TB	EA	50	500	B	46.60
CA774/2	2P PRE ASSEM SHRT LINK FR 18mm WD TB	EA	100	200	B	46.20
CA774/3	3P PRE ASSEM SHRT LINK FR 18mm WD TB	EA	50	100	B	59.40
CA774/4	4P PRE ASSEM SHRT LINK FR 18mm WD TB	EA	50	100	B	92.20
CA781/10	10P INS PREASSEM SHRT LNK FR16mm WIDE TB	EA	10	20	B	274.00
CA781/2	2P INS PREASSEM SHRT LINK FR16mm WIDE TB	EA	50	100	B	55.10
CA781/3	3P INS PREASSEM SHRT LINK FR16mm WIDE TB	EA	20	40	B	82.40
CA790/2	2 POLE SHORTING LINK FOR CBB35/50	EA	10	40	B	77.80
CA790/3	3 POLE SHORTING LINK FOR CBB35/50	EA	10	40	B	110.90
CA791/2	2 POLE SHORTING LINK FOR CBB70/CBB95	EA	10	40	B	155.30
CA791/3	3 POLE SHORTING LINK FOR CBB70/CBB95	EA	10	40	B	233.10
CA793/2	2 POLE SHORTING LINK FOR CBB120	EA	10	40	B	174.90
CA793/3	3 POLE SHORTING LINK FOR CBB120	EA	10	40	B	262.40
CA794/2	2W SHRT LNK FR CBB150 / CBB185	EA	10	40	B	174.90
CA794/3	3W SHRT LNK FR CBB150 / CBB185	EA	10	40	B	262.40
CA801/1	2P SHRT LINK FR AS2.5 SERIES	EA	100	100	A	17.80
CA801/2	2P SHRT LINK FOR AS4 SERIES	EA	100	200	A	33.20
CA801/3	2P SHRT LINK FOR AS6 SERIES	EA	100	200	A	46.60
CA801/5	2P SHRT LINK FR 16mm WIDE SPRNG CLAMP TB	EA	100	200	A	93.40
CA802	POLYAMIDE SCREW END CLAMP FOR DIN35 RAIL	EA	50	50	B	16.70
CA803	STEEL MOUNTING BRACKET HOLE M6 HT 2 INCH	EA	25	25	B	29.80
CA903	STEEL MOUNTING BRACKET HOLE M6 HT 3 INCH	EA	25	25	B	37.10
CAFL4U	4mm <sup>2</sup> Ø6X32mm 6.3A FUSE SCRW CL TERMINAL	EA	25	50	B	109.50
CAFL4UL24V	4mm <sup>2</sup> Ø6X32mm 6.3A FUSE SCRW CLMP TB 24V	EA	25	25	B	142.50
CAFL4UW/F	4mm <sup>2</sup> Ø6X32mm FUSE SCREW CLAMP TERMINAL	EA	25	25	B	98.60

Part #	Description	UOM	Std. Pack	MOQ	Group	List Price in ₹
CASP	POLYAMIDE SPACER BLACK	EA	50	50	B	8.20
CB16/2H	10 mm <sup>2</sup> 2 POLE WITH MOUNT HOLE CERAMIC TB	EA	50	100	A	134.50
CB16/3H	10 mm <sup>2</sup> 3 POLE WITH MOUNT HOLE CERAMIC TB	EA	50	100	A	201.60
CB25/2H	25 mm <sup>2</sup> 2 POLE WITH MOUNT HOLE CERAMIC TB	EA	10	50	A	203.30
CB25/3H	25 mm <sup>2</sup> 3 POLE WITH MOUNT HOLE CERAMIC TB	EA	10	50	A	309.50
CB4/1	2.5 mm <sup>2</sup> 1 POLE FLOATING TYPE CERAMIC TB	EA	50	100	A	40.50
CB4/2	2.5 MM <sup>2</sup> 2 POLE FLOATING TYPE CERAMIC TB	EA	100	200	A	74.20
CB4/2H	2.5MM <sup>2</sup> 2 POLE WITH MOUNT HOLE CERAMIC TB	EA	50	100	A	80.80
CB4/3	2.5 MM <sup>2</sup> 3 POLE FLOATING TYPE CERAMIC TB	EA	50	100	A	106.20
CB4/3H	2.5mm <sup>2</sup> 3 POLE WITH MOUNT HOLE CERAMIC TB	EA	50	100	A	121.10
CB6/1	4 mm <sup>2</sup> 1 POLE FLOATING TYPE CERAMIC TB	EA	50	100	A	49.00
CB6/2H	4 mm <sup>2</sup> 2 POLE WITH MOUNT HOLE CERAMIC TB	EA	50	100	A	97.90
CB6/3H	4 mm <sup>2</sup> 3 POLE WITH MOUNT HOLE CERAMIC TB	EA	50	100	A	146.80
CB6/4H	4 mm <sup>2</sup> 4 POLE WITH MOUNT HOLE CERAMIC TB	EA	50	100	A	180.50
CBB120	120 mm <sup>2</sup> FD THRU BOLT/NUT TERMINAL BLOCK	EA	10	10	B	580.90
CBB120BK	120 mm <sup>2</sup> FEED THRU BOLT/NUT TB BLACK	EA	10	30	B	639.00
CBB120BU	120 mm <sup>2</sup> FEED THRU BOLT/NUT TB BLUE	EA	10	30	B	639.00
CBB120E	120 mm <sup>2</sup> STUD TYPE ECO POWER BOLT/NUT TB	EA	10	10	B	439.40
CBB120GN	120 mm <sup>2</sup> FEED THRU BOLT/NUT TB GREEN	EA	10	30	B	639.00
CBB120LS	120 mm <sup>2</sup> FEED THRU SLOTTED BOLT TERMINAL	EA	10	40	B	580.90
CBB120R	120 mm <sup>2</sup> FEED THRU BOLT/NUT TB RED	EA	10	30	B	639.00
CBB120Y	120 mm <sup>2</sup> FEED THRU BOLT/NUT TB YELLOW	EA	10	30	B	639.00
CBB150	150 mm <sup>2</sup> FD THRU BOLT/NUT TERMINAL BLOCK	EA	10	10	B	735.00
CBB150BK	150 mm <sup>2</sup> FEED THRU BOLT/NUT TB BLACK	EA	10	40	B	808.50
CBB150BU	150 mm <sup>2</sup> FEED THRU BOLT/NUT TB BLUE	EA	10	40	B	808.50
CBB150LS	150 mm <sup>2</sup> FEED THRU SLOTTED BOLT TERMINAL	EA	10	10	B	735.00
CBB150R	150 mm <sup>2</sup> FEED THRU BOLT/NUT TB RED	EA	10	40	B	808.50
CBB150Y	150 mm <sup>2</sup> FEED THRU BOLT/NUT TB YELLOW	EA	10	40	B	808.50
CBB185	185 mm <sup>2</sup> FD THRU BOLT/NUT TERMINAL BLOCK	EA	10	10	B	976.50
CBB185BK	185 mm <sup>2</sup> FEED THRU BOLT/NUT TB BLACK	EA	10	30	B	1,074.20
CBB185BU	185 mm <sup>2</sup> FEED THRU BOLT/NUT TB BLUE	EA	10	30	B	1,074.20
CBB185LS	185 mm <sup>2</sup> FEED THRU SLOTTED BOLT TERMINAL	EA	10	10	B	976.50
CBB185R	185 mm <sup>2</sup> FEED THRU BOLT/NUT TB RED	EA	10	30	B	1,074.20
CBB185Y	185 mm <sup>2</sup> FEED THRU BOLT/NUT TB YELLOW	EA	10	30	B	1,074.20
CBB35/50	50 mm <sup>2</sup> FD THRU BOLT/NUT TERMINAL BLOCK	EA	10	10	B	215.80
CBB35/50BK	50 mm <sup>2</sup> FEED THRU BOLT/NUT TB BLACK	EA	10	40	B	237.40
CBB35/50BU	50 mm <sup>2</sup> FEED THRU BOLT/NUT TB BLUE	EA	10	40	B	237.40
CBB35/50GN	50 mm <sup>2</sup> FEED THRU BOLT/NUT TB GREEN	EA	10	40	B	237.40
CBB35/50LS	50 mm <sup>2</sup> FEED THRU SLOTTED BOLT TERMINAL	EA	10	10	B	218.90
CBB35/50LSBK	50 mm <sup>2</sup> FEED THRU SLOTTED BOLT TB BLACK	EA	10	40	B	240.80
CBB35/50LSBU	50 mm <sup>2</sup> FEED THRU SLOTTED BOLT TB BLUE	EA	10	40	B	240.80
CBB35/50LSR	50 mm <sup>2</sup> FEED THRU SLOTTED BOLT TB RED	EA	10	40	B	240.80
CBB35/50LSY	50 mm <sup>2</sup> FEED THRU SLOTTED BOLT TB YELLOW	EA	10	40	B	240.80
CBB35/50R	50 mm <sup>2</sup> FEED THRU BOLT/NUT TB RED	EA	10	40	B	237.40
CBB35/50Y	50 mm <sup>2</sup> FEED THRU BOLT/NUT TB YELLOW	EA	10	40	B	237.40
CBB35E	35 mm <sup>2</sup> STUD TYPE ECO POWER BOLT/NUT TB	EA	10	10	B	193.20
CBB70	70 mm <sup>2</sup> FD THRU BOLT/NUT TERMINAL BLOCK	EA	10	10	B	415.10
CBB70BK	70 mm <sup>2</sup> FEED THRU BOLT/NUT TB BLACK	EA	10	40	B	456.70
CBB70BU	70 mm <sup>2</sup> FEED THRU BOLT/NUT TB BLUE	EA	10	40	B	456.70
CBB70E	70mm <sup>2</sup> STUD TYP ECO POWER BOLT/NUT TB GRY	EA	10	10	B	283.50
CBB70EBK	70mm <sup>2</sup> STUD TYP ECO POWER BOLT/NUT TB BLK	EA	10	10	B	311.90

Part #	Description	UOM	Std. Pack	MOQ	Group	List Price in ₹
CBB70EBU	70mm <sup>2</sup> STUD TYP ECO POWER BOLT/NUT TB BLU	EA	10	10	B	311.90
CBB70ER	70mm <sup>2</sup> STUD TYP ECO POWER BOLT/NUT TB RED	EA	10	10	B	311.90
CBB70EY	70mm <sup>2</sup> STUD TYP ECO POWER BOLT/NUT TB YLW	EA	10	10	B	311.90
CBB70GN	70 mm <sup>2</sup> FEED THRU BOLT/NUT TB GREEN	EA	10	40	B	456.70
CBB70LS	70 mm <sup>2</sup> FEED THRU SLOTTED BOLT TERMINAL	EA	10	10	B	415.10
CBB70LSBK	70 mm <sup>2</sup> FEED THRU SLOTTED BOLT TB BLACK	EA	10	40	B	456.70
CBB70LSBU	70 mm <sup>2</sup> FEED THRU SLOTTED BOLT TB BLUE	EA	10	40	B	456.70
CBB70LSR	70 mm <sup>2</sup> FEED THRU SLOTTED BOLT TB RED	EA	10	40	B	456.70
CBB70LSY	70 mm <sup>2</sup> FEED THRU SLOTTED BOLT TB YELLOW	EA	10	40	B	456.70
CBB70R	70 mm <sup>2</sup> FEED THRU BOLT/NUT TB RED	EA	10	40	B	456.70
CBB70Y	70 mm <sup>2</sup> FEED THRU BOLT/NUT TB YELLOW	EA	10	40	B	456.70
CBB95	95 mm <sup>2</sup> FD THRU BOLT/NUT TERMINAL BLOCK	EA	10	10	B	420.80
CBB95BK	95 mm <sup>2</sup> FEED THRU BOLT/NUT TB BLACK	EA	10	40	B	462.90
CBB95BU	95 mm <sup>2</sup> FEED THRU BOLT/NUT TB BLUE	EA	10	40	B	462.90
CBB95GN	95 mm <sup>2</sup> FEED THRU BOLT/NUT TB GREEN	EA	10	40	B	462.90
CBB95LS	95 mm <sup>2</sup> FEED THRU SLOTTED BOLT TERMINAL	EA	10	10	B	420.80
CBB95LSR	95 mm <sup>2</sup> FEED THRU SLOTTED BOLT TB RED	EA	10	40	B	462.90
CBB95R	95 mm <sup>2</sup> FEED THRU BOLT/NUT TB RED	EA	10	40	B	462.90
CBB95Y	95 mm <sup>2</sup> FEED THRU BOLT/NUT TB YELLOW	EA	10	40	B	462.90
CBBPC1/100	PROTECT COVR FR CBB35/50/70/95 100mm LNG	EA	10	20	B	147.00
CBBPC1/130	PROTECT COVR FR CBB35/50/70/95 130mm LNG	EA	10	20	B	195.10
CBBPC1/160	PROTECT COVR FR CBB35/50/70/95 160mm LNG	EA	10	20	B	224.90
CBBPC1/200	PROT CVR FR CBB35/50/70/95 200mm LNG	EA	10	20	B	273.30
CBBPC1/250	PROT CVR FR CBB35/50/70/95 250mm LNG	EA	10	20	B	321.40
CBBPC1/70	PROTECT COVR FR CBB35/50/70/95 70mm LNG	EA	10	20	B	126.40
CBBPC1/80	PROTECT COVR FR CBB35/50/70/95 80mm LNG	EA	10	20	B	137.50
CBBPC2/160	PROT CVR FR CBB120/150/185 160mm LNG	EA	10	20	B	248.90
CBBPC2/200	PROTECT COVR FR CBB120/150/185 200mm	EA	10	20	B	306.50
CBBPC2/250	PROTECT COVR FR CBB120/150/185 250mm LNG	EA	10	20	B	364.20
CBDT4UNS	6mm <sup>2</sup> M4 BR STUD SLIDE LNK DISC SOC HD NUT	EA	50	50	B	83.70
CBDT4UNSE	6mm <sup>2</sup> M4 STL STUD SLID LNK DISC SOC HD NUT	EA	50	250	B	92.00
CBS3U	6 mm <sup>2</sup> M3 SCREW BARRIER TYPE TERMINAL	EA	100	100	B	33.20
CBS3UBK	6 mm <sup>2</sup> M3 SCREW BARRIER TYPE TB BLACK	EA	100	300	B	36.60
CBS3UBU	6 mm <sup>2</sup> M3 SCREW BARRIER TYPE TB BLUE	EA	100	300	B	36.60
CBS3UGN	6 mm <sup>2</sup> M3 SCREW BARRIER TYPE TB GREEN	EA	100	300	B	36.60
CBS3UR	6 mm <sup>2</sup> M3 SCREW BARRIER TYPE TB RED	EA	100	300	B	36.60
CBS3UY	6 mm <sup>2</sup> M3 SCREW BARRIER TYPE TB YELLOW	EA	100	300	B	36.60
CBS4U	10 mm <sup>2</sup> M4 SCREW BARRIER TYPE TERMINAL	EA	100	100	B	39.10
CBS4UBK	10 mm <sup>2</sup> M4 SCREW BARRIER TYPE TB BLACK	EA	100	300	B	43.10
CBS4UBU	10 mm <sup>2</sup> M4 SCREW BARRIER TYPE TB BLUE	EA	100	300	B	43.10
CBS4UR	10 mm <sup>2</sup> M4 SCREW BARRIER TYPE TB RED	EA	100	300	B	43.10
CBS4UY	10 mm <sup>2</sup> M4 SCREW BARRIER TYPE TB YELLOW	EA	100	300	B	43.10
CBS5U	16 mm <sup>2</sup> M4 SCREW BARRIER TYPE TERMINAL	EA	100	100	B	48.30
CBS5UBU	16 mm <sup>2</sup> M4 SCREW BARRIER TYPE TB BLUE	EA	100	300	B	53.20
CBS5UR	16 mm <sup>2</sup> M4 SCREW BARRIER TYPE TB RED	EA	100	300	B	53.20
CBS5UY	16 mm <sup>2</sup> M4 SCREW BARRIER TYPE TB YELLOW	EA	100	300	B	53.20
CC14	SHIELDING CLAMPS FOR 14 MM CABLE DIA	EA	10	10	B	279.80
CC20	SHIELDING CLAMPS FOR 20 MM CABLE DIA	EA	10	10	B	334.90
CC35	SHIELDING CLAMPS FOR 35 MM CABLE DIA	EA	10	10	B	427.90
CC4FNL110-240V	FUSE PLUG (110-240V) FOR CPCC4N TB	EA	50	100	A	60.00
CC8	SHIELDING CLAMPS FOR 8 MM CABLE DIA	EA	10	10	B	201.60

Part #	Description	UOM	Std. Pack	MOQ	Group	List Price in ₹
CCC4U	4mm <sup>2</sup> COMPONENT CARRIER SCREW CLAMP TB	EA	50	100	B	116.70
CDB10/1	1X35mm <sup>2</sup> I/P 4X10mm <sup>2</sup> O/P DISTR BLOCK	EA	10	50	B	244.70
CDB10/1BK	1X35mm <sup>2</sup> I/P 4X10mm <sup>2</sup> O/P DISTR BLOCK BLK	EA	10	50	B	269.20
CDB10/1BU	1X35mm <sup>2</sup> I/P 4X10mm <sup>2</sup> O/P DB BLU	EA	10	50	B	269.20
CDB10/1R	1X35mm <sup>2</sup> I/P 4X10mm <sup>2</sup> O/P DISTR BLOCK RED	EA	10	50	B	269.20
CDB10/1Y	1X35mm <sup>2</sup> I/P 4X10mm <sup>2</sup> O/P DB YLW	EA	10	50	B	269.20
CDB10/2	1X35mm <sup>2</sup> I/P 8X10mm <sup>2</sup> O/P DISTR BLOCK	EA	10	50	B	322.60
CDB10/2BK	1X35mm <sup>2</sup> I/P 8X10mm <sup>2</sup> O/P DISTR BLOCK BLK	EA	10	50	B	356.60
CDB10/2BU	1X35mm <sup>2</sup> I/P 8X10mm <sup>2</sup> O/P DISTR BLOCK BLU	EA	10	50	B	356.60
CDB10/2GN	1X35mm <sup>2</sup> I/P 8X10mm <sup>2</sup> O/P DISTR BLOCK GRN	EA	10	50	B	356.60
CDB10/2R	1X35mm <sup>2</sup> I/P 8X10mm <sup>2</sup> O/P DISTR BLOCK RED	EA	10	50	B	356.60
CDB10/2Y	1X35mm <sup>2</sup> I/P 8X10mm <sup>2</sup> O/P DISTR BLOCK YLW	EA	10	50	B	356.60
CDB10/3	1X35mm <sup>2</sup> I/P 12X10mm <sup>2</sup> O/P DISTR BLOCK	EA	5	25	B	411.50
CDB10/3BK	1X35mm <sup>2</sup> I/P 12X10mm <sup>2</sup> O/P DISTR BLOCK BLK	EA	5	25	B	452.90
CDB10/3BU	1X35mm <sup>2</sup> I/P 12X10mm <sup>2</sup> O/P DISTR BLOCK BLU	EA	5	25	B	452.90
CDB10/3GN	1X35mm <sup>2</sup> I/P 12X10mm <sup>2</sup> O/P DISTR BLOCK GRN	EA	10	50	B	452.90
CDB10/3R	1X35mm <sup>2</sup> I/P 12X10mm <sup>2</sup> O/P DISTR BLOCK RED	EA	5	25	B	452.90
CDB10/3Y	1X35mm <sup>2</sup> I/P 12X10mm <sup>2</sup> O/P DISTR BLOCK YLW	EA	5	25	B	452.90
CDB10/4	1X35mm <sup>2</sup> I/P 16X10mm <sup>2</sup> O/P DISTR BLOCK	EA	5	25	B	476.40
CDB10/4BK	1X35mm <sup>2</sup> I/P 16X10mm <sup>2</sup> O/P DISTR BLOCK BLK	EA	5	25	B	522.00
CDB10/4BU	1X35mm <sup>2</sup> I/P 16X10mm <sup>2</sup> O/P DISTR BLOCK BLU	EA	5	25	B	522.00
CDB10/4GN	1X35mm <sup>2</sup> I/P 16X10mm <sup>2</sup> O/P DISTR BLOCK GRN	EA	5	25	B	522.00
CDB10/4R	1X35mm <sup>2</sup> I/P 16X10mm <sup>2</sup> O/P DISTR BLOCK RED	EA	5	25	B	522.00
CDB10/4Y	1X35mm <sup>2</sup> I/P 16X10mm <sup>2</sup> O/P DISTR BLOCK YLW	EA	5	25	B	522.00
CDB25/1	1X50mm <sup>2</sup> I/P 4X25mm <sup>2</sup> O/P DISTR BLOCK	EA	10	30	B	515.10
CDB25/1BK	1X50mm <sup>2</sup> I/P 4X25mm <sup>2</sup> O/P DISTR BLOCK BLK	EA	10	30	B	566.70
CDB25/1BU	1X50mm <sup>2</sup> I/P 4X25mm <sup>2</sup> O/P DISTR BLOCK BLU	EA	10	30	B	566.70
CDB25/1R	1X50mm <sup>2</sup> I/P 4X25mm <sup>2</sup> O/P DISTR BLOCK RED	EA	10	30	B	566.70
CDB25/1Y	1X50mm <sup>2</sup> I/P 4X25mm <sup>2</sup> O/P DISTR BLOCK YLW	EA	10	30	B	566.70
CDB25/2	1X50mm <sup>2</sup> I/P 8X25mm <sup>2</sup> O/P DISTR BLOCK	EA	10	20	B	585.80
CDB25/2BK	1X50mm <sup>2</sup> I/P 8X25mm <sup>2</sup> O/P DISTR BLOCK BLK	EA	10	20	B	646.10
CDB25/2BU	1X50mm <sup>2</sup> I/P 8X25mm <sup>2</sup> O/P DISTR BLOCK BLU	EA	10	20	B	646.10
CDB25/2GN	1X50mm <sup>2</sup> I/P 8X25mm <sup>2</sup> O/P DISTR BLOCK GRN	EA	10	20	B	646.10
CDB25/2R	1X50mm <sup>2</sup> I/P 8X25mm <sup>2</sup> O/P DISTR BLOCK RED	EA	10	20	B	646.10
CDB25/2Y	1X50mm <sup>2</sup> I/P 8X25mm <sup>2</sup> O/P DISTR BLOCK YLW	EA	10	20	B	646.10
CDB25/3	1X50mm <sup>2</sup> I/P 12X25mm <sup>2</sup> O/P DISTR BLOCK	EA	10	20	B	711.30
CDB25/3BK	1X50mm <sup>2</sup> I/P 12X25mm <sup>2</sup> O/P DISTR BLOCK BLK	EA	10	20	B	779.80
CDB25/3BU	1X50mm <sup>2</sup> I/P 12X25mm <sup>2</sup> O/P DISTR BLOCK BLU	EA	10	20	B	779.80
CDB25/3R	1X50mm <sup>2</sup> I/P 12X25mm <sup>2</sup> O/P DISTR BLOCK RED	EA	10	20	B	779.80
CDB25/3Y	1X50mm <sup>2</sup> I/P 12X25mm <sup>2</sup> O/P DISTR BLOCK YLW	EA	10	20	B	779.80
CDB25/4	1X50mm <sup>2</sup> I/P 16X25mm <sup>2</sup> O/P DISTR BLOCK	EA	5	20	B	757.80
CDB25/4BK	1X50mm <sup>2</sup> I/P 16X25mm <sup>2</sup> O/P DISTR BLOCK BLK	EA	5	20	B	830.50
CDB25/4BU	1X50mm <sup>2</sup> I/P 16X25mm <sup>2</sup> O/P DISTR BLOCK BLU	EA	5	20	B	830.50
CDB25/4R	1X50mm <sup>2</sup> I/P 16X25mm <sup>2</sup> O/P DISTR BLOCK RED	EA	5	20	B	830.50
CDB25/4Y	1X50mm <sup>2</sup> I/P 16X25mm <sup>2</sup> O/P DISTR BLOCK YLW	EA	5	20	B	830.50
CDB4/1	1X16mm <sup>2</sup> I/P 4X4mm <sup>2</sup> O/P DISTR BLOCK	EA	10	50	B	188.20
CDB4/10(1)	1X16mm <sup>2</sup> I/P 22X4mm <sup>2</sup> O/P SIDE ENTRY DB	EA	5	25	B	387.40
CDB4/11(1)	1X16mm <sup>2</sup> I/P 24X4mm <sup>2</sup> O/P SIDE ENTRY DB	EA	5	25	B	406.80
CDB4/1BK	1X16mm <sup>2</sup> I/P 4X4mm <sup>2</sup> O/P DISTR BLOCK BLK	EA	10	50	B	207.00
CDB4/1BU	1X16mm <sup>2</sup> I/P 4X4mm <sup>2</sup> O/P DISTR BLOCK BLU	EA	10	50	B	207.00
CDB4/1R	1X16mm <sup>2</sup> I/P 4X4mm <sup>2</sup> O/P DISTR BLOCK RED	EA	10	50	B	207.00

Part #	Description	UOM	Std. Pack	MOQ	Group	List Price in ₹
CDB4/1Y	1X16mm <sup>2</sup> I/P 4X4mm <sup>2</sup> O/P DISTR BLOCK YLW	EA	10	50	B	207.00
CDB4/2	1X16mm <sup>2</sup> I/P 8X4mm <sup>2</sup> O/P DISTR BLOCK	EA	10	50	B	230.70
CDB4/2(1)	1X16mm <sup>2</sup> I/P 6X4mm <sup>2</sup> O/P SIDE ENTRY DB	EA	10	50	B	220.90
CDB4/2BK	1X16mm <sup>2</sup> I/P 8X4mm <sup>2</sup> O/P DISTR BLOCK BLK	EA	10	50	B	254.40
CDB4/2BU	1X16mm <sup>2</sup> I/P 8X4mm <sup>2</sup> O/P DISTR BLOCK BLU	EA	10	50	B	254.40
CDB4/2GN	1X16mm <sup>2</sup> I/P 8X4mm <sup>2</sup> O/P DISTR BLOCK GRN	EA	10	50	B	254.40
CDB4/2R	1X16mm <sup>2</sup> I/P 8X4mm <sup>2</sup> O/P DISTR BLOCK RED	EA	10	50	B	254.40
CDB4/2Y	1X16mm <sup>2</sup> I/P 8X4mm <sup>2</sup> O/P DISTR BLOCK YLW	EA	10	50	B	254.40
CDB4/3	1X16mm <sup>2</sup> I/P 12X4mm <sup>2</sup> O/P DISTR BLOCK	EA	10	50	B	263.70
CDB4/3(1)	1X16mm <sup>2</sup> I/P 8X4mm <sup>2</sup> O/P SIDE ENTRY DB	EA	10	50	B	232.50
CDB4/3BK	1X16mm <sup>2</sup> I/P 12X4mm <sup>2</sup> O/P DISTR BLOCK BLK	EA	10	50	B	289.90
CDB4/3BU	1X16mm <sup>2</sup> I/P 12X4mm <sup>2</sup> O/P DISTR BLOCK BLU	EA	10	50	B	289.90
CDB4/3R	1X16mm <sup>2</sup> I/P 12X4mm <sup>2</sup> O/P DISTR BLOCK RED	EA	10	50	B	289.90
CDB4/3Y	1X16mm <sup>2</sup> I/P 12X4mm <sup>2</sup> O/P DISTR BLOCK YLW	EA	10	50	B	289.90
CDB4/4	1X16mm <sup>2</sup> I/P 16X4mm <sup>2</sup> O/P DISTR BLOCK	EA	10	50	B	329.50
CDB4/4(1)	1X16mm <sup>2</sup> I/P 10X4mm <sup>2</sup> O/P SIDE ENTRY DB	EA	10	50	B	251.80
CDB4/4BK	1X16mm <sup>2</sup> I/P 16X4mm <sup>2</sup> O/P DISTR BLOCK BLK	EA	10	50	B	362.40
CDB4/4BU	1X16mm <sup>2</sup> I/P 16X4mm <sup>2</sup> O/P DISTR BLOCK BLU	EA	10	50	B	362.40
CDB4/4R	1X16mm <sup>2</sup> I/P 16X4mm <sup>2</sup> O/P DISTR BLOCK RED	EA	10	50	B	362.40
CDB4/4Y	1X16mm <sup>2</sup> I/P 16X4mm <sup>2</sup> O/P DISTR BLOCK YLW	EA	10	50	B	362.40
CDB4/5	1X16mm <sup>2</sup> I/P 20X4mm <sup>2</sup> O/P DISTR BLOCK	EA	5	25	B	348.70
CDB4/5BK	1X16mm <sup>2</sup> I/P 20X4mm <sup>2</sup> O/P DISTR BLOCK BLK	EA	5	25	B	383.60
CDB4/5BU	1X16mm <sup>2</sup> I/P 20X4mm <sup>2</sup> O/P DB BLU	EA	5	25	B	383.60
CDB4/5R	1X16mm <sup>2</sup> I/P 20X4mm <sup>2</sup> O/P DB RED	EA	5	25	B	383.60
CDB4/5Y	1X16mm <sup>2</sup> I/P 20X4mm <sup>2</sup> O/P DB YLW	EA	5	25	B	383.60
CDB4/6	1X16mm <sup>2</sup> I/P 24X4mm <sup>2</sup> O/P DISTR BLOCK	EA	5	25	B	391.40
CDB4/6(1)	1X16mm <sup>2</sup> I/P 14X4mm <sup>2</sup> O/P SIDE ENTRY DB	EA	5	25	B	290.60
CDB4/6BU	1X16mm <sup>2</sup> I/P 24X4mm <sup>2</sup> O/P DISTR BLOCK BLU	EA	5	25	B	430.60
CDB4/6R	1X16mm <sup>2</sup> I/P 24X4mm <sup>2</sup> O/P DISTR BLOCK RED	EA	5	25	B	430.60
CDB4/6Y	1X16mm <sup>2</sup> I/P 24X4mm <sup>2</sup> O/P DISTR BLOCK YLW	EA	5	25	B	430.60
CDB6/1	1X25mm <sup>2</sup> I/P 4X6mm <sup>2</sup> O/P DISTR BLOCK GRY	EA	10	50	B	209.00
CDB6/1BU	1X25mm <sup>2</sup> I/P 4X6mm <sup>2</sup> O/P DISTR BLOCK BLU	EA	10	50	B	230.60
CDB6/1R	1X25mm <sup>2</sup> I/P 4X6mm <sup>2</sup> O/P DISTR BLOCK RED	EA	10	50	B	230.60
CDB6/1Y	1X25mm <sup>2</sup> I/P 4X6mm <sup>2</sup> O/P DISTR BLOCK YLW	EA	10	50	B	230.60
CDB6/2	1X25mm <sup>2</sup> I/P 8X6mm <sup>2</sup> O/P DISTR BLOCK	EA	10	50	B	229.30
CDB6/2BK	1X25mm <sup>2</sup> I/P 8X6mm <sup>2</sup> O/P DISTR BLOCK BLK	EA	10	50	B	252.20
CDB6/2BU	1X25mm <sup>2</sup> I/P 8X6mm <sup>2</sup> O/P DISTR BLOCK BLU	EA	10	50	B	252.20
CDB6/2GN	1X25mm <sup>2</sup> I/P 8X6mm <sup>2</sup> O/P DISTR BLOCK GRN	EA	10	50	B	252.20
CDB6/2R	1X25mm <sup>2</sup> I/P 8X6mm <sup>2</sup> O/P DISTR BLOCK RED	EA	10	50	B	252.20
CDB6/2Y	1X25mm <sup>2</sup> I/P 8X6mm <sup>2</sup> O/P DISTR BLOCK YLW	EA	10	50	B	252.20
CDB6/3	1X25mm <sup>2</sup> I/P 12X6mm <sup>2</sup> O/P DISTR BLOCK	EA	10	50	B	304.30
CDB6/3BK	1X25mm <sup>2</sup> I/P 12X6mm <sup>2</sup> O/P DISTR BLOCK BLK	EA	10	50	B	334.60
CDB6/3BU	1X25mm <sup>2</sup> I/P 12X6mm <sup>2</sup> O/P DISTR BLOCK BLU	EA	10	50	B	334.60
CDB6/3R	1X25mm <sup>2</sup> I/P 12X6mm <sup>2</sup> O/P DISTR BLOCK RED	EA	10	50	B	334.60
CDB6/3Y	1X25mm <sup>2</sup> I/P 12X6mm <sup>2</sup> O/P DISTR BLOCK YLW	EA	10	50	B	334.60
CDB6/4	1X25mm <sup>2</sup> I/P 16X6mm <sup>2</sup> O/P DISTR BLOCK	EA	5	25	B	361.70
CDB6/4BK	1X25mm <sup>2</sup> I/P 16X6mm <sup>2</sup> O/P DISTR BLOCK BLK	EA	5	25	B	399.60
CDB6/4BU	1X25mm <sup>2</sup> I/P 16X6mm <sup>2</sup> O/P DISTR BLOCK BLU	EA	5	25	B	399.60
CDB6/4GN	1X16mm <sup>2</sup> I/P 24X6mm <sup>2</sup> O/P DISTR BLOCK GRN	EA	5	25	B	399.60
CDB6/4R	1X25mm <sup>2</sup> I/P 16X6mm <sup>2</sup> O/P DISTR BLOCK RED	EA	5	25	B	399.60
CDB6/4Y	1X25mm <sup>2</sup> I/P 16X6mm <sup>2</sup> O/P DISTR BLOCK YLW	EA	5	25	B	399.60

Part #	Description	UOM	Std. Pack	MOQ	Group	List Price in ₹
CDINS16	DIN RAIL MOUNTABLE SOCKET 15 Amp	EA	10	10	A	1,243.70
CDINS6	DIN RAIL MOUNTABLE SOCKET 5 Amp	EA	10	10	A	1,180.70
CDINS16	DIN RAIL MOUNTABLE SOCKET 16 Amp	EA	10	10	A	1,175.30
CDINSUK	DIN RAIL MOUNTABLE 7648.UK SOCKET 13Amp	EA	10	10	A	1,282.10
CDINSW1	DIN RAIL MOUNTABLE 1 POLE SWITCH	EA	10	10	A	1,082.60
CDINSW2	DIN RAIL MOUNTABLE 2 POLE SWITCH	EA	10	10	A	1,424.50
CDL4U(0)	4 mm <sup>2</sup> 2 LEVEL OPEN TYPE SCREW CLAMP TB	EA	100	100	B	79.50
CDL4UED1	4 mm <sup>2</sup> 2 LEVEL SCREW CLAMP DIODE D1 TB	EA	100	100	B	103.90
CDL4UED2	4 mm <sup>2</sup> 2 LEVEL SCREW CLAMP DIODE D2 TB	EA	100	100	B	103.90
CDL4UED3	4 mm <sup>2</sup> 2 LEVEL SCREW CLAMP DIODE D3 TB	EA	100	100	B	103.90
CDL4UEDD1	4 mm <sup>2</sup> 2 LEVEL SCREW CLAMP 2 DIODE DD1 TB	EA	100	100	B	103.90
CDL4UEDD2	4 mm <sup>2</sup> 2 LEVEL SCREW CLAMP 2 DIODE DD2 TB	EA	100	100	B	103.90
CDL4UEDD3	4 mm <sup>2</sup> 2 LEVEL SCREW CLAMP 2 DIODE DD3 TB	EA	100	100	B	103.90
CDL4UEDD4	4 mm <sup>2</sup> 2 LEVEL SCREW CLAMP 2 DIODE DD4 TB	EA	100	100	B	103.90
CDL4UEDD5	4 mm <sup>2</sup> 2 LVL SCRW CL 12V DIODE DD5 TB	EA	100	100	B	103.90
CDL4UEMOV-275V	4 mm <sup>2</sup> 2 LVL SW CL SURG SUPPR MOV 275V	EA	52	52	B	119.30
CDL4UN	4 mm <sup>2</sup> 2 LEVEL SCREW CLAMP TERMINAL BLOCK	EA	100	100	B	38.10
CDL4UN(I.S)	4 mm <sup>2</sup> 2 LEVEL SCREW CLAMP INT SHORTED TB	EA	100	100	B	50.80
CDL4UN(I.S)BK	4 mm <sup>2</sup> 2 LEVEL SCRW CLMP INT SHRTD TB BLK	EA	100	200	B	55.90
CDL4UN(I.S)BU	4 mm <sup>2</sup> 2 LEVEL SCRW CLMP INT SHRTD TB BLU	EA	100	200	B	55.90
CDL4UN(I.S)GN	4 mm <sup>2</sup> 2 LEVEL SCRW CLMP INT SHRTD TB GRN	EA	100	200	B	55.90
CDL4UN(I.S)R	4 mm <sup>2</sup> 2 LEVEL SCRW CLMP INT SHRTD TB RED	EA	100	200	B	55.90
CDL4UN(I.S)W	4 MM <sup>2</sup> 2 LEVEL SCRW CLMP INT SHRTD TB WHT	EA	100	500	B	55.90
CDL4UN(I.S)Y	4 mm <sup>2</sup> 2 LEVEL SCRW CLMP INT SHRTD TB YLW	EA	100	200	B	55.90
CDL4UNBK	4 mm <sup>2</sup> 2 LVL SCRW CLMP TERMINAL BLOCK BLK	EA	100	200	B	42.00
CDL4UNBR	4 mm <sup>2</sup> 2 LVL SCRW CLMP TERMINAL BLOCK BRN	EA	100	500	B	42.00
CDL4UNBU	4 mm <sup>2</sup> 2 LVL SCRW CLMP TERMINAL BLOCK BLU	EA	100	200	B	42.00
CDL4UNGN	4 mm <sup>2</sup> 2 LVL SCRW CLMP TERMINAL BLOCK GRN	EA	100	200	B	42.00
CDL4UNO	4 mm <sup>2</sup> 2 LVL SCRW CLMP TERMINAL BLOCK ORG	EA	100	500	B	42.00
CDL4UNR	4 mm <sup>2</sup> 2 LVL SCRW CLMP TERMINAL BLOCK RED	EA	100	200	B	42.00
CDL4UNW	4 mm <sup>2</sup> 2 LVL SCRW CLMP TERMINAL BLOCK WHT	EA	100	500	B	42.00
CDL4UNY	4 mm <sup>2</sup> 2 LVL SCRW CLMP TERMINAL BLOCK YLW	EA	100	200	B	42.00
CDL4USP	POLYAMIDE SPACER FOR CDL4U SERIES	EA	50	250	B	14.20
CDLG2.5	2.5 mm <sup>2</sup> 2 LEVEL + GROUND SCREW CLAMP TB	EA	20	20	B	279.30
CDLG4	4 mm <sup>2</sup> FEED THRU + GROUND SCREW CLAMP TB	EA	100	100	B	165.90
CDLG4(I.S)	4 mm <sup>2</sup> 2 LEVEL SCREW CLAMP GROUND TB	EA	100	100	B	168.80
CDS4U	4MM <sup>2</sup> DISCONNECT & TEST TERMINAL BLOCK	EA	100	100	B	70.90
CDS6U	6 mm <sup>2</sup> SLIDE LINK DISCONNECT SCRW CLMP TB	EA	50	50	B	85.40
CDS6U/TS	6 mm <sup>2</sup> SLIDE LINK DISCON TEST SOC SW CL TB	EA	20	40	B	130.30
CDS6UBK	6 mm <sup>2</sup> SLIDE LINK DISCON SCRW CLMP TB BLK	EA	50	100	B	94.00
CDS6UBU	6 mm <sup>2</sup> SLIDE LINK DISCON SCRW CLMP TB BLU	EA	50	100	B	94.00
CDS6UGN	6 mm <sup>2</sup> SLIDE LINK DISCON SCRW CLMP TB GRN	EA	50	100	B	94.00
CDS6UR	6 mm <sup>2</sup> SLIDE LINK DISCON SCRW CLMP TB RED	EA	50	100	B	94.00
CDS6UY	6 mm <sup>2</sup> SLIDE LINK DISCON SCRW CLMP TB YLW	EA	50	100	B	94.00
CDSIN	INDIA DIN RAIL MNTG SOCKET WTH SWITCH	EA	5	5	B	286.20
CDSH	SCHUKO DIN RAIL MOUNTING SOCKET	EA	5	5	A	540.00
CDSUK	UK DIN RAIL MOUNTING SOCKET WT SWITCH	EA	5	5	A	594.00
CDTPC1	PROTECTIVE COVER FOR 2nos CMDT4 TB'S	EA	100	200	B	24.40
CDTPC2	PROTECTIVE COVER FOR 3nos CMDT4 TB'S	EA	100	200	B	37.30
CDTPC3	PROTECTIVE COVER FOR CMDT4 100mm LONG	EA	10	10	B	85.60
CDTPC4	PROTECTIVE COVER FOR CMDT4 200mm LONG	EA	10	10	B	156.20

Part #	Description	UOM	Std. Pack	MOQ	Group	List Price in ₹
CDTPC5	PROTECTIVE COVER FOR CMDT4 300mm LONG	EA	10	10	B	236.20
CDTTU	10mm <sup>2</sup> SLIDE LINK DISCONNECT SCREW CLMP TB	EA	50	50	B	123.40
CDTTUBK	10mm <sup>2</sup> SLIDE LINK DISCON SCRW CLMP TB BLK	EA	50	100	B	135.80
CDTTUBU	10mm <sup>2</sup> SLIDE LINK DISCON SCRW CLMP TB BLU	EA	50	100	B	135.80
CDTTUFT	10mm <sup>2</sup> FEED THRU CDTTU PRO SCREW CLAMP	EA	50	100	B	102.00
CDTTUGN	10mm <sup>2</sup> SLIDE LINK DISCON SCRW CLMP TB GRN	EA	50	100	B	135.80
CDTTUSH	10 mm <sup>2</sup> DISCONNECT SHORTD SCREW CLAMP TB	EA	20	20	B	267.00
CENC16	16mm <sup>2</sup> NEUTRAL/EARTH CLAMP GREEN	EA	50	50	B	23.50
CENC16BK	16mm <sup>2</sup> NEUTRAL/EARTH CLAMP BLACK	EA	50	250	B	25.80
CENC16BU	16mm <sup>2</sup> NEUTRAL/EARTH CLAMP BLUE	EA	50	250	B	25.80
CENC16G	16.0 SQ NEUTRAL/EARTH CLAMP GRY	EA	50	250	B	25.80
CENC16R	16mm <sup>2</sup> NEUTRAL/EARTH CLAMP RED	EA	50	250	B	25.80
CENC16Y	16mm <sup>2</sup> NEUTRAL/EARTH CLAMP YELLOW	EA	50	250	B	25.80
CENC35	35mm <sup>2</sup> NEUTRAL/EARTH CLAMP GREEN	EA	50	50	B	42.00
CENC35BK	35mm <sup>2</sup> NEUTRAL/EARTH CLAMP BLACK	EA	50	250	B	46.20
CENC35BU	35mm <sup>2</sup> NEUTRAL/EARTH CLAMP BLUE	EA	50	250	B	46.20
CENC35G	35mm <sup>2</sup> NEUTRAL/EARTH CLAMP GREY	EA	50	250	B	46.20
CENC35Y	35mm <sup>2</sup> NEUTRAL/EARTH CLAMP YELLOW	EA	50	250	B	46.20
CENC4	4mm <sup>2</sup> NEUTRAL/EARTH CLAMP GREEN	EA	50	50	B	17.80
CENC4BK	4mm <sup>2</sup> NEUTRAL/EARTH CLAMP BLACK	EA	50	250	B	19.60
CENC4BU	4mm <sup>2</sup> NEUTRAL/EARTH CLAMP BLUE	EA	50	250	B	19.60
CENC4G	4mm <sup>2</sup> NEUTRAL/EARTH CLAMP GRY	EA	50	250	B	19.60
CENC4R	4mm <sup>2</sup> NEUTRAL/EARTH CLAMP RED	EA	50	250	B	19.60
CENC4Y	4mm <sup>2</sup> NEUTRAL/EARTH CLAMP YELLOW	EA	50	250	B	19.60
CF4U	4mm <sup>2</sup> Ø5X20mm FUSE SCREW CLAMP TERMINAL	EA	100	100	B	52.00
CF4U6.3	4mm <sup>2</sup> Ø5X20mm 6.3 AMP SCREW CLAMP FUSE TB	EA	100	100	B	71.80
CF4UBK	4mm <sup>2</sup> Ø5X20mm SCREW CLAMP FUSE TB BLACK	EA	100	200	B	57.10
CF4UBU	4mm <sup>2</sup> Ø5X20mm SCREW CLAMP FUSE TB BLUE	EA	100	200	B	57.10
CF4UL110-240V	4mm <sup>2</sup> Ø5X20mm SW CL FUSE TB 110-240V	EA	100	100	B	77.80
CF4UL6-60V	4mm <sup>2</sup> Ø5X20mm SCREW CLAMP FUSE TB 6-60V	EA	100	100	B	77.80
CF4UL6-60VBU	4mm <sup>2</sup> Ø5X20mm SCREW CL FUSE TB 6-60V BLU	EA	100	200	B	90.50
CF4UR	4mm <sup>2</sup> Ø5X20mm SCREW CLAMP FUSE TB RED	EA	100	200	B	57.10
CF4UY	4mm <sup>2</sup> Ø5X20mm SCREW CLAMP FUSE TB YLW	EA	100	200	B	57.10
CGMT4	4 mm <sup>2</sup> SCREW CLMP GROUND TB FR DIN15 RAIL	EA	100	100	B	67.70
CGT10N	10 mm <sup>2</sup> SCREW CLAMP GROUND TERMINAL BLOCK	EA	50	50	B	141.50
CGT10U	10 mm <sup>2</sup> SW CL GROUND TB FR DIN 32/35 RAIL	EA	50	50	B	153.90
CGT16N	16 mm <sup>2</sup> SCREW CLAMP GROUND TERMINAL BLOCK	EA	50	50	B	168.00
CGT35U	35 mm <sup>2</sup> SW CL GROUND TB FR DIN 32/35 RAIL	EA	20	20	B	364.80
CGT4U	4 mm <sup>2</sup> SW CL GROUND TB FR DIN 32/35 RAIL	EA	50	50	B	115.00
CGT50/70N	70 mm <sup>2</sup> SCREW CLAMP GROUND TERMINAL BLK	EA	20	20	B	875.10
CGT6N	6 mm <sup>2</sup> SCREW CLAMP GROUND TERMINAL BLOCK	EA	50	50	B	121.30
CHV10U	10 mm <sup>2</sup> FD THRU HIGH VOLTAGE SCREW CL TB	EA	50	50	A	41.80
CHV4U	4 mm <sup>2</sup> FD THRU HIGH VOLTAGE SCREW CL TB	EA	50	50	A	31.70
CHV6U	6 mm <sup>2</sup> FD THRU HIGH VOLTAGE SCREW CL TB	EA	50	50	A	35.50
CKT4SP	4 mm <sup>2</sup> KNIF DISCON TEST SOCKT SP SW CL TB	EA	50	50	B	96.40
CKT4SPBK	4 mm <sup>2</sup> KNIFE DISCONNECT SCREW CLMP TB BLK	EA	50	100	B	106.10
CKT4SPBU	4 mm <sup>2</sup> KNIFE DISCONNECT SCREW CLAMP TB BU	EA	50	100	B	106.10
CKT4SPY	4 mm <sup>2</sup> KNIFE DISCONNECT SCREW CLMP TB YLW	EA	50	100	B	106.10
CKT4U	4 mm <sup>2</sup> KNIFE DISCON TEST SOCKET SW CL TB	EA	50	50	B	57.80
CKT4U/4	4 mm <sup>2</sup> 4 WIRE KNIFE DISCON SCREW CL TB	EA	50	50	B	98.00
CKT4U/S	4 mm <sup>2</sup> KNIFE DISCON SLOTTED SCREW CL TB	EA	50	50	B	52.20

Part #	Description	UOM	Std. Pack	MOQ	Group	List Price in ₹
CKT4U/SBU	4mm <sup>2</sup> KNIFE DISCON SLOTTED SCRW CL TB BLU	EA	50	250	B	57.50
CKT4UBU	4 MM <sup>2</sup> KNIFE DISCON TEST SOC SW CL TB BLU	EA	50	250	B	63.60
CKT4UR	4 mm <sup>2</sup> KNIFE DISCON TEST SOC SW CL TB RED	EA	50	250	B	63.60
CKT4UY	4 mm <sup>2</sup> KNIFE DISCON TEST SOC SW CL TB YLW	EA	50	250	B	63.60
CKT6U	6 mm <sup>2</sup> KNIFE DISCON TEST SOCKET SW CL TB	EA	50	50	B	100.20
CLP35/2	35 mm <sup>2</sup> FD THRU 3 WIRE SCREW CLMP TB	EA	20	20	A	260.00
CLP35/2A	35 mm <sup>2</sup> FD THRU 3 WIRE ALLEN SCREW CLMP TB	EA	20	20	A	267.80
CLP35/3A	35 MM <sup>2</sup> FD THRU 4 WIRE SCREW CLAMP TB	EA	20	20	A	330.30
CM1.5S	1.5 mm <sup>2</sup> PANEL MOUNT SPRING CLMP 2 WRE TB	EA	100	100	A	9.20
CM1.5S2	1.5 mm <sup>2</sup> PANEL MOUNT SPRING CLMP 4 WRE TB	EA	100	100	A	16.20
CM1.5S2BK	1.5 mm <sup>2</sup> PANEL MOUNT SP CL 4 WRE BLACK	EA	100	400	A	17.90
CM1.5S2BU	1.5 mm <sup>2</sup> PANEL MOUNT SP CL 2 WRE TB BLU	EA	100	400	A	17.90
CM1.5S2O	1.5 mm <sup>2</sup> PANEL MOUNT SP CL 4 WRE ORANGE	EA	100	1000	A	17.90
CM1.5S2R	1.5 mm <sup>2</sup> PANEL MOUNT SP CL 4 WRE RED	EA	100	400	A	17.90
CM1.5S2Y	1.5 mm <sup>2</sup> PANEL MOUNT SP CL 4 WRE YELLOW	EA	100	400	A	17.90
CM1.5S2YG	1.5 mm <sup>2</sup> PANEL MOUNT SP CL 4W TB YLW GRN	EA	100	1000	A	17.90
CM1.5SBK	1.5 mm <sup>2</sup> PANEL MOUNT SP CL 2 WRE TB BLK	EA	100	400	A	10.20
CM1.5SBU	1.5 mm <sup>2</sup> PANEL MOUNT SP CL 2 WRE TB BLU	EA	100	400	A	10.20
CM1.5SGN	1.5 mm <sup>2</sup> PANEL MOUNT SP CL 2 WIRE GREEN	EA	100	400	A	10.20
CM1.5SO	1.5 mm <sup>2</sup> PANEL MOUNT SP CL 2 WRE TB ORG	EA	100	1000	A	10.20
CM1.5SR	1.5 mm <sup>2</sup> PANEL MOUNT SP CL 2 WRE TB RED	EA	100	400	A	10.20
CM1.5SY	1.5 mm <sup>2</sup> PANEL MOUNT SP CL 2 WRE TB YLW	EA	100	400	A	10.20
CM1.5SYG	1.5 mm <sup>2</sup> PANEL MOUNT SP CL 2W TB YLW GRN	EA	100	1000	A	10.40
CM2.5S	2.5 mm <sup>2</sup> PANEL MOUNT SPRING CLMP 2 WRE TB	EA	100	100	A	11.00
CM2.5S2	2.5 mm <sup>2</sup> PANEL MOUNT SPRING CLMP 4 WRE TB	EA	100	100	A	20.60
CM2.5S2BK	2.5 mm <sup>2</sup> PANEL MOUNT SP CL 4 WRE TB BLK	EA	100	400	A	22.70
CM2.5S2BU	2.5 mm <sup>2</sup> PANEL MOUNT SP CL 4 WRE TB BLU	EA	100	400	A	22.70
CM2.5S2GN	2.5 mm <sup>2</sup> PANEL MOUNT SP CL 4 WRE TB GRN	EA	100	400	A	22.70
CM2.5S2O	2.5 mm <sup>2</sup> PANEL MOUNT SP CL 4 WIRE TB ORG	EA	100	1000	A	22.70
CM2.5S2R	2.5 mm <sup>2</sup> PANEL MOUNT SPG CLMP 4WRE TB RED	EA	100	400	A	22.70
CM2.5S2Y	2.5 mm <sup>2</sup> PANEL MOUNT SP CL 4 WRE TB YLW	EA	100	400	A	22.70
CM2.5S2YG	2.5 mm <sup>2</sup> PANEL MOUNT SP CL 4W TB YLW GRN	EA	100	1000	A	22.70
CM2.5SBK	2.5 mm <sup>2</sup> PANEL MOUNT SP CL 2 WRE TB BLK	EA	100	400	A	12.20
CM2.5SBU	2.5 mm <sup>2</sup> PANEL MOUNT SP CL 2 WRE TB BLU	EA	100	400	A	12.20
CM2.5SGN	2.5 mm <sup>2</sup> PANEL MOUNT SP CL 2 WRE TB GRN	EA	100	400	A	12.20
CM2.5SO	2.5 mm <sup>2</sup> PANEL MOUNT SP CL 2 WRE TB ORG	EA	100	1000	A	12.20
CM2.5SR	2.5 mm <sup>2</sup> PANEL MOUNT SPG CLMP 2WRE TB RED	EA	100	400	A	12.20
CM2.5SY	2.5 mm <sup>2</sup> PANEL MOUNT SP CL 2 WRE TB YLW	EA	100	400	A	12.20
CM2.5SYG	2.5 mm <sup>2</sup> PANEL MOUNT SP CL 2W TB YLW GRN	EA	100	1000	A	12.20
CM4S	4mm <sup>2</sup> PANEL MOUNT SP CL SIDE ENTRY 2W TB	EA	100	100	A	17.60
CM4S2	4mm <sup>2</sup> PANEL MOUNT SP CL SIDE ENTRY 4W TB	EA	100	100	A	31.80
CM4S2BK	4mm <sup>2</sup> PANEL MOUNT SP CL SIDE ENTRY TB BLK	EA	100	400	A	35.00
CM4S2BU	4mm <sup>2</sup> PANEL MOUNT SP CL SIDE ENTRY TB BLU	EA	100	400	A	35.00
CM4S2LF	4mm <sup>2</sup> SPCL 4W SIDE ENTRY TB MNTG FT GRY	EA	100	100	A	32.90
CM4S2O	4mm <sup>2</sup> PANEL MOUNT SP CL SIDE ENTRY TB ORG	EA	100	1000	A	35.00
CM4S2R	4mm <sup>2</sup> PANEL MOUNT SP CL SIDE ENTRY TB RED	EA	100	400	A	35.00
CM4S2Y	4mm <sup>2</sup> PANEL MOUNT SP CL SIDE ENTRY TB YLW	EA	100	400	A	35.00
CM4S2YG	4mm <sup>2</sup> PANEL MOUNT SP CL 4W TB YLW GRN	EA	100	1000	A	36.00
CM4SBK	4mm <sup>2</sup> PANEL MOUNT SP CL SIDE ENTRY TB BLK	EA	100	400	A	19.40
CM4SBU	4mm <sup>2</sup> PANEL MOUNT SP CL SIDE ENTRY TB BLU	EA	100	400	A	19.40
CM4SGN	4mm <sup>2</sup> PANEL MOUNT SP CL SIDE ENTRY TB GRN	EA	100	400	A	19.40

Part #	Description	UOM	Std. Pack	MOQ	Group	List Price in ₹
CM4SO	4mm <sup>2</sup> PANEL MOUNT SP CL SIDE ENTRY TB ORG	EA	100	1000	A	19.40
CM4SR	4mm <sup>2</sup> PANEL MOUNT SP CL SIDE ENTRY TB RED	EA	100	400	A	19.40
CM4SY	4mm <sup>2</sup> PANEL MOUNT SP CL SIDE ENTRY TB YLW	EA	100	400	A	19.40
CM4SYG	4mm <sup>2</sup> PANEL MOUNT SP CL 2W TB YLW GRN	EA	100	1000	A	19.90
CMB4	4 mm <sup>2</sup> PANEL MOUNT SCREW CLAMP TERMINAL	EA	100	100	B	16.80
CMB4BK	4 mm <sup>2</sup> PANEL MOUNT SCREW CLAMP TB BLACK	EA	100	100	B	18.50
CMB4BR	4 mm <sup>2</sup> PANEL MOUNT SCREW CLAMP TB BROWN	EA	100	500	B	18.40
CMB4BU	4 mm <sup>2</sup> PANEL MOUNT SCREW CLAMP TB BLUE	EA	100	100	B	18.50
CMB4GN	4 mm <sup>2</sup> PANEL MOUNT SCREW CLAMP TB GREEN	EA	100	100	B	18.50
CMB4R	4 mm <sup>2</sup> PANEL MOUNT SCREW CLAMP TB RED	EA	100	100	B	18.50
CMB4W	4 mm <sup>2</sup> PANEL MOUNT SCREW CLAMP TB WHT	EA	100	500	B	18.50
CMB4Y	4 mm <sup>2</sup> PANEL MOUNT SCREW CLAMP TB YELLOW	EA	100	100	B	18.50
CMC1-2	4 mm <sup>2</sup> MULTI CONNECTION 3 WIRE TERMINAL	EA	100	100	B	33.80
CMC1-2BU	4 mm <sup>2</sup> MULTI CONNECTION 3 WIRE TB BLUE	EA	100	500	B	37.20
CMC1-2R	4 mm <sup>2</sup> MULTI CONNECTION 3 WIRE TB RED	EA	100	500	B	37.20
CMC2-2	4 mm <sup>2</sup> MULTI CONNECTION 4 WIRE TERMINAL	EA	50	50	B	46.20
CMC2-2BK	4 mm <sup>2</sup> MULTI CONNECTION 4 WIRE TB BLACK	EA	50	250	B	50.90
CMC2-2BU	4 mm <sup>2</sup> MULTI CONNECTION 4 WIRE TB BLUE	EA	50	250	B	50.90
CMC2-2GN	4 mm <sup>2</sup> MULTI CONNECTION 4 WIRE TB GREEN	EA	50	250	B	50.90
CMC2-2R	4 mm <sup>2</sup> MULTI CONNECTION 4 WIRE TB RED	EA	50	250	B	50.90
CMC2-2W	4 mm <sup>2</sup> MULTI CONNECTION 4 WIRE TB WHT	EA	50	500	B	50.90
CMC2-2Y	4 mm <sup>2</sup> MULTI CONNECTION 4 WIRE TB YELLOW	EA	50	250	B	50.90
CMCG4	4 mm <sup>2</sup> MULTI CONNECTION 4 WIRE GROUND TB	EA	50	50	B	176.40
CMDB10/10	20 X 10 mm <sup>2</sup> DISTRIBUTION BLOCK	EA	5	25	B	413.20
CMDB10/2	4 X 10 mm <sup>2</sup> DISTRIBUTION BLOCK	EA	10	150	B	90.90
CMDB10/2BU	4 X 10 mm <sup>2</sup> DISTRIBUTION BLOCK BLUE	EA	10	150	B	100.10
CMDB10/2R	4 X 10 mm <sup>2</sup> DISTRIBUTION BLOCK RED	EA	10	150	B	100.10
CMDB10/2Y	4 X 10 mm <sup>2</sup> DISTRIBUTION BLOCK YELLOW	EA	10	150	B	100.10
CMDB10/3	6 X 10 mm <sup>2</sup> DISTRIBUTION BLOCK	EA	10	150	B	120.40
CMDB10/3BK	6 X 10 mm <sup>2</sup> DISTRIBUTION BLOCK BLACK	EA	10	150	B	132.90
CMDB10/3BU	6 X 10 mm <sup>2</sup> DISTRIBUTION BLOCK BLUE	EA	10	150	B	132.90
CMDB10/3R	6 X 10 mm <sup>2</sup> DISTRIBUTION BLOCK RED	EA	10	150	B	132.90
CMDB10/3Y	6 X 10 mm <sup>2</sup> DISTRIBUTION BLOCK YELLOW	EA	10	150	B	132.90
CMDB10/4	8 X 10 mm <sup>2</sup> DISTRIBUTION BLOCK	EA	5	75	B	155.60
CMDB10/4BK	8 X 10 mm <sup>2</sup> DISTRIBUTION BLOCK BLACK	EA	5	75	B	171.20
CMDB10/4BU	8 X 10 mm <sup>2</sup> DISTRIBUTION BLOCK BLUE	EA	5	75	B	171.20
CMDB10/4R	8 X 10 mm <sup>2</sup> DISTRIBUTION BLOCK RED	EA	5	75	B	171.20
CMDB10/4Y	8 X 10 mm <sup>2</sup> DISTRIBUTION BLOCK YELLOW	EA	5	75	B	171.20
CMDB12	12WAY I/P 10mm <sup>2</sup> X2 NOS O/P 4MM <sup>2</sup> X10 NOS DB	EA	5	50	B	381.70
CMDB12BK	12WAY I/P 10mm <sup>2</sup> X2 N O/P 4MM <sup>2</sup> X10 N DB BLK	EA	5	50	B	419.80
CMDB12BU	12WAY I/P 10mm <sup>2</sup> X2 N O/P 4MM <sup>2</sup> X10 N DB BLU	EA	5	50	B	419.80
CMDB12GN	12WAY I/P 10mm <sup>2</sup> X2 N O/P 4MM <sup>2</sup> X10 N DB GRN	EA	5	50	B	419.80
CMDB12R	12WAY I/P 10mm <sup>2</sup> X2 N O/P 4MM <sup>2</sup> X10 N DB RED	EA	5	50	B	419.80
CMDB12Y	12WAY I/P 10mm <sup>2</sup> X2 N O/P 4MM <sup>2</sup> X10 N DB YLW	EA	5	50	B	419.80
CMDB12YG	12W I/P 10MM <sup>2</sup> X2N O/P 4MM <sup>2</sup> X10N DB ALT Y/G	EA	5	50	B	420.00
CMDB25/2	4 X 25 mm <sup>2</sup> DISTRIBUTION BLOCK	EA	10	50	B	198.00
CMDB25/2BU	4 X 25 mm <sup>2</sup> DISTRIBUTION BLOCK BLUE	EA	10	50	B	218.00
CMDB25/2R	4 X 25 mm <sup>2</sup> DISTRIBUTION BLOCK RED	EA	10	50	B	218.00
CMDB25/2Y	4 X 25 mm <sup>2</sup> DISTRIBUTION BLOCK YELLOW	EA	10	50	B	218.00
CMDB25/3	6 X 25 mm <sup>2</sup> DISTRIBUTION BLOCK	EA	10	50	B	268.60
CMDB25/3BU	6 X 25 mm <sup>2</sup> DISTRIBUTION BLOCK BLUE	EA	10	50	B	295.40

Part #	Description	UOM	Std. Pack	MOQ	Group	List Price in ₹
CMDB25/3R	6 X 25 mm <sup>2</sup> DISTRIBUTION BLOCK RED	EA	10	50	B	295.40
CMDB25/3Y	6 X 25 mm <sup>2</sup> DISTRIBUTION BLOCK YELLOW	EA	10	50	B	295.40
CMDB25/4	8 X 25 mm <sup>2</sup> DISTRIBUTION BLOCK	EA	10	40	B	386.40
CMDB25/4BU	8 X 25 mm <sup>2</sup> DISTRIBUTION BLOCK BLUE	EA	10	40	B	426.60
CMDB25/4R	8 X 25 mm <sup>2</sup> DISTRIBUTION BLOCK RED	EA	10	40	B	426.60
CMDB25/4Y	8 X 25 mm <sup>2</sup> DISTRIBUTION BLOCK YELLOW	EA	10	40	B	426.60
CMDB4/10	20 X 4 mm <sup>2</sup> DISTRIBUTION BLOCK	EA	10	50	B	267.50
CMDB4/10BK	20 X 4 mm <sup>2</sup> DISTRIBUTION BLOCK BLACK	EA	10	50	B	294.30
CMDB4/10BU	20 X 4 mm <sup>2</sup> DISTRIBUTION BLOCK BLUE	EA	10	50	B	294.30
CMDB4/10GN	20 X 4 MM <sup>2</sup> DISTRIBUTION BLOCK GREEN	EA	10	50	B	294.30
CMDB4/10O	20 X 4 MM <sup>2</sup> DISTRIBUTION BLOCK ORANGE	EA	10	50	B	294.30
CMDB4/10R	20 X 4 mm <sup>2</sup> DISTRIBUTION BLOCK RED	EA	10	50	B	294.30
CMDB4/10W	20 X 4 MM <sup>2</sup> DISTRIBUTION BLOCK WHITE	EA	10	50	B	294.30
CMDB4/10Y	20 X 4 mm <sup>2</sup> DISTRIBUTION BLOCK YELLOW	EA	10	50	B	294.30
CMDB4/2	4 X 4 mm <sup>2</sup> DISTRIBUTION BLOCK	EA	10	200	B	64.60
CMDB4/3	6 X 4 mm <sup>2</sup> DISTRIBUTION BLOCK	EA	10	150	B	92.30
CMDB4/4	8 X 4 mm <sup>2</sup> DISTRIBUTION BLOCK	EA	10	150	B	115.40
CMDB4/4BK	8 X 4 mm <sup>2</sup> DISTRIBUTION BLOCK BLACK	EA	10	20	B	127.00
CMDB4/4BU	8 X 4 mm <sup>2</sup> DISTRIBUTION BLOCK BLUE	EA	10	20	B	127.00
CMDB4/4GN	8 X 4 mm <sup>2</sup> DISTRIBUTION BLOCK GREEN	EA	10	20	B	127.00
CMDB4/4O	8 X 4 mm <sup>2</sup> DISTRIBUTION BLOCK ORANGE	EA	10	20	B	127.00
CMDB4/4R	8 X 4 mm <sup>2</sup> DISTRIBUTION BLOCK RED	EA	10	20	B	127.00
CMDB4/4W	8 X 4 mm <sup>2</sup> DISTRIBUTION BLOCK WHITE	EA	10	20	B	127.00
CMDB4/4Y	8 X 4 mm <sup>2</sup> DISTRIBUTION BLOCK YELLOW	EA	10	20	B	127.00
CMDB4/6	12 X 4 mm <sup>2</sup> DISTRIBUTION BLOCK	EA	5	75	B	175.40
CMDB4/6BK	12 X 4 mm <sup>2</sup> DISTRIBUTION BLOCK BLACK	EA	10	150	B	192.90
CMDB4/6BU	12 X 4 mm <sup>2</sup> DISTRIBUTION BLOCK BLUE	EA	10	150	B	192.90
CMDB4/6GN	12 X 4 mm <sup>2</sup> DISTRIBUTION BLOCK GREEN	EA	5	75	B	192.90
CMDB4/6R	12 X 4 mm <sup>2</sup> DISTRIBUTION BLOCK RED	EA	5	75	B	192.90
CMDB6/10	20 X 6 mm <sup>2</sup> DISTRIBUTION BLOCK	EA	5	50	B	345.80
CMDB6/10BK	20 X 6 mm <sup>2</sup> DISTRIBUTION BLOCK BLACK	EA	5	50	B	380.30
CMDB6/10BU	20 X 6 mm <sup>2</sup> DISTRIBUTION BLOCK BLUE	EA	5	50	B	380.30
CMDB6/10GN	20 X 6 mm <sup>2</sup> DISTRIBUTION BLOCK GREEN	EA	10	150	B	380.30
CMDB6/10R	20 X 6 mm <sup>2</sup> DISTRIBUTION BLOCK RED	EA	5	50	B	380.30
CMDB6/10Y	20 X 6 mm <sup>2</sup> DISTRIBUTION BLOCK	EA	5	50	B	380.30
CMDB6/2	4 X 6 mm <sup>2</sup> DISTRIBUTION BLOCK	EA	10	150	B	82.20
CMDB6/2BK	4 X 6 mm <sup>2</sup> DISTRIBUTION BLOCK BLACK	EA	10	150	B	90.50
CMDB6/2R	4 X 6 mm <sup>2</sup> DISTRIBUTION BLOCK RED	EA	10	150	B	90.50
CMDB6/3	6 X 6 mm <sup>2</sup> DISTRIBUTION BLOCK	EA	10	100	B	111.00
CMDB6/3BK	6 X 6 mm <sup>2</sup> DISTRIBUTION BLOCK BLACK	EA	10	100	B	122.10
CMDB6/3BU	6 X 6 mm <sup>2</sup> DISTRIBUTION BLOCK BLUE	EA	10	100	B	122.10
CMDB6/3R	6 X 6 mm <sup>2</sup> DISTRIBUTION BLOCK RED	EA	10	100	B	122.10
CMDB6/3Y	6 X 6 mm <sup>2</sup> DISTRIBUTION BLOCK YELLOW	EA	10	100	B	122.10
CMDB6/4	8 X 6 mm <sup>2</sup> DISTRIBUTION BLOCK	EA	5	100	B	144.20
CMDB6/4BK	8 X 6 mm <sup>2</sup> DISTRIBUTION BLOCK BLACK	EA	5	100	B	158.40
CMDB6/4BU	8 X 6 mm <sup>2</sup> DISTRIBUTION BLOCK BLUE	EA	5	100	B	158.40
CMDB6/4R	8 X 6 mm <sup>2</sup> DISTRIBUTION BLOCK RED	EA	5	100	B	158.40
CMDB6/4Y	8 X 6 mm <sup>2</sup> DISTRIBUTION BLOCK YELLOW	EA	5	100	B	158.40
CMDT4	6 mm <sup>2</sup> M4 STUD TYP DISCONNECT MELAMINE TB	EA	50	50	C	111.50
CMDT4S	6 mm <sup>2</sup> M4 STUD TYP DISCONNECT MELAMINE TB	EA	50	50	C	115.70
CMDT4SH	6 mm <sup>2</sup> M4 STUD TYPE DISCON SHORTED MEL TB	EA	25	25	C	231.30

Part #	Description	UOM	Std. Pack	MOQ	Group	List Price in ₹
CMS2.5	2.5 mm <sup>2</sup> SPRING CL TB FOR DIN15 RAIL	EA	100	100	A	16.80
CMST1	2.5 mm <sup>2</sup> 12 POLE STRIP MELAMINE TERMINAL	EA	20	20	B	170.90
CMST110W	2.5 mm <sup>2</sup> 10 POLE STRIP MELAMINE TERMINAL	EA	20	20	B	152.90
CMST11W	2.5 mm <sup>2</sup> 1 POLE STRIP MELAMINE TERMINAL	EA	240	240	B	15.60
CMST12W	2.5 mm <sup>2</sup> 2 POLE STRIP MELAMINE TERMINAL	EA	120	120	B	30.90
CMST13W	2.5 mm <sup>2</sup> 3 POLE STRIP MELAMINE TERMINAL	EA	80	80	B	45.90
CMST14W	2.5 mm <sup>2</sup> 4 POLE STRIP MELAMINE TERMINAL	EA	60	60	B	61.20
CMST15W	2.5 mm <sup>2</sup> 5 POLE STRIP MELAMINE TERMINAL	EA	40	40	B	76.70
CMST16W	2.5 mm <sup>2</sup> 6 POLE STRIP MELAMINE TERMINAL	EA	40	40	B	91.80
CMST17W	2.5 mm <sup>2</sup> 7 POLE STRIP MEL TERMINAL	EA	30	30	B	107.00
CMST18W	2.5 mm <sup>2</sup> 8 POLE STRIP MELAMINE TERMINAL	EA	30	30	B	122.10
CMST19W	2.5 mm <sup>2</sup> 9 POLE STRIP MELAMINE TERMINAL	EA	25	25	B	137.60
CMST2	2.5 mm <sup>2</sup> 12 POLE SOLDERABLE STRIP MEL TB	EA	20	20	B	173.10
CMT10	10 MM <sup>2</sup> SCREW CLAMP TB FOR DIN15 RAIL	EA	100	100	B	53.00
CMT4	4 mm <sup>2</sup> SCREW CLAMP TB FOR DIN15 RAIL	EA	100	100	B	13.50
CMT4BK	4 mm <sup>2</sup> SCREW CLAMP TB FOR DIN15 RAIL BLK	EA	100	200	B	14.90
CMT4BU	4 mm <sup>2</sup> SCREW CLAMP TB FOR DIN15 RAIL BLU	EA	100	200	B	14.90
CMT4GN	4 mm <sup>2</sup> SCREW CLAMP TB FOR DIN15 RAIL GRN	EA	100	200	B	14.90
CMT4R	4 mm <sup>2</sup> SCREW CLAMP TB FOR DIN15 RAIL RED	EA	100	200	B	14.90
CMT4Y	4 mm <sup>2</sup> SCREW CLAMP TB FOR DIN15 RAIL YLW	EA	100	200	B	14.90
CMTB35	MOUNTING BASE SUITABLE FOR DIN35 RAIL	EA	50	50	B	24.60
CP1.5	1.5 mm <sup>2</sup> FEED THRU PUSH IN TERMINAL BLOCK	EA	100	100	A	16.80
CP1.5/3	1.5 mm <sup>2</sup> FEED THRU 3 WIRE PUSH IN TB	EA	100	100	A	34.40
CP1.5/3BU	1.5 mm <sup>2</sup> FEED THRU 3 WIRE PUSH IN TB BLU	EA	100	200	A	37.90
CP1.5/4	1.5 mm <sup>2</sup> FEED THRU 4 WIRE PUSH IN TB	EA	100	100	A	37.90
CP1.5/4BK	1.5 MM <sup>2</sup> FEED THRU 4 WIRE PUSH IN TB BLK	EA	100	200	A	41.70
CP1.5/4BU	1.5 MM <sup>2</sup> FEED THRU 4 WIRE PUSH IN TB BLU	EA	100	200	A	41.70
CP1.5/4R	1.5 MM <sup>2</sup> FEED THRU 4 WIRE PUSH IN TB RED	EA	100	200	A	41.70
CP1.5/4Y	1.5 MM <sup>2</sup> FEED THRU 4 WIRE PUSH IN TB YLW	EA	100	200	A	41.70
CP1.5BK	1.5 mm <sup>2</sup> FEED THRU PUSH IN TB BLK	EA	100	300	A	18.50
CP1.5BU	1.5 mm <sup>2</sup> FEED THRU PUSH IN TB BLU	EA	100	300	A	18.50
CP1.5R	1.5 mm <sup>2</sup> FEED THRU PUSH IN TB RED	EA	100	300	A	18.50
CP1.5Y	1.5 mm <sup>2</sup> FEED THRU PUSH IN TERM BLOCK YLW	EA	100	300	A	18.50
CP16	16 mm <sup>2</sup> FEED THRU PUSH IN TB GRY	EA	50	50	A	161.70
CP2.5	2.5 mm <sup>2</sup> FEED THRU PUSH IN TERMINAL BLOCK	EA	100	100	A	16.90
CP2.5/3	2.5mm <sup>2</sup> FEED THRU 3 WIRE PUSH IN TB	EA	100	100	A	36.80
CP2.5/3BK	2.5mm <sup>2</sup> PUSH IN FEED THRU 3WIRE TB BLK	EA	100	200	A	40.50
CP2.5/3BU	2.5mm <sup>2</sup> PUSH IN FEED THRU 3WIRE TB BLU	EA	100	200	A	40.50
CP2.5/4	2.5mm <sup>2</sup> FEED THRU 4 WIRE PUSH IN TB	EA	100	200	A	41.00
CP2.5/4BU	2.5mm <sup>2</sup> PUSH IN FEED THRU 4WIRE TB BLU	EA	100	200	A	45.10
CP2.5/4R	2.5mm <sup>2</sup> PUSH IN FEED THRU 4 WIRE TB RED	EA	100	200	A	45.10
CP2.5/4Y	2.5mm <sup>2</sup> FEED THRU 4 WIRE PUSH IN TB YLW	EA	100	200	A	45.10
CP2.5BK	2.5 mm <sup>2</sup> FEED THRU PUSH IN TB BLK	EA	100	300	A	18.70
CP2.5BU	2.5 mm <sup>2</sup> FEED THRU PUSH IN TB BLU	EA	100	300	A	18.70
CP2.5GN	2.5 mm <sup>2</sup> FEED THRU PUSH IN TB GRN	EA	100	300	A	18.70
CP2.5R	2.5 mm <sup>2</sup> PUSH IN FEED THRU TERMINAL RED	EA	100	300	A	18.70
CP2.5Y	2.5 mm <sup>2</sup> PUSH IN FEED THRU TERMINAL YLW	EA	100	300	A	18.70
CP4	4 mm <sup>2</sup> FEED THRU PUSH IN TERMINAL BLOCK	EA	100	100	A	28.80
CP4/3	4 mm <sup>2</sup> FEED THRU 3 WIRE PUSH IN TB	EA	50	50	A	52.20
CP4/3BU	4 mm <sup>2</sup> PUSH IN FEED THRU 3 WIRE TB BLU	EA	50	150	A	57.50
CP4/4	4 mm <sup>2</sup> FEED THRU 4 WIRE PUSH IN TB	EA	50	50	A	59.40

Part #	Description	UOM	Std. Pack	MOQ	Group	List Price in ₹
CP4/4BK	4 mm <sup>2</sup> PUSH IN FEED THRU 4 WIRE TB BLK	EA	50	150	A	65.40
CP4/4BU	4 mm <sup>2</sup> PUSH IN FEED THRU 4 WIRE TB BLU	EA	50	150	A	65.40
CP4/4R	4 mm <sup>2</sup> PUSH IN FEED THRU 4 WIRE TB RED	EA	50	150	A	65.40
CP4/4Y	4 mm <sup>2</sup> PUSH IN FEED THRU 4 WIRE TB YLW	EA	100	150	A	65.40
CP4BK	4 mm <sup>2</sup> FEED THRU PUSH IN TB BLK	EA	100	200	A	31.70
CP4BU	4 mm <sup>2</sup> FEED THRU PUSH IN TB BLU	EA	100	200	A	31.70
CP4L16	1.5 mm <sup>2</sup> FD THRU 4LVL PUSH IN SP CL TB	EA	10	10	A	427.00
CP4L16(I.S)	1.5mm <sup>2</sup> 4LVL PUSH IN SP CL INT SHRT TB	EA	10	20	A	433.00
CP4R	4 mm <sup>2</sup> FEED THRU PUSH IN TB RED	EA	100	200	A	31.70
CP4Y	4 mm <sup>2</sup> FEED THRU PUSH IN TB YLW	EA	100	200	A	31.70
CP6/10	10 mm <sup>2</sup> FEED THRU PUSH IN TERMINAL BLOCK	EA	100	100	A	80.30
CP6/10/3	10 mm <sup>2</sup> FEED THRU PUSH IN 3 WIRE TB	EA	50	50	A	139.20
CP6/10BK	10 mm <sup>2</sup> FEED THRU PUSH IN TB BLACK	EA	100	200	A	88.40
CP6/10BU	10 MM <sup>2</sup> FEED THRU PUSH IN TB BLU	EA	100	200	A	88.40
CP6/10R	10 mm <sup>2</sup> PUSH IN FEED THRU TB RED	EA	100	200	A	88.40
CP6/10Y	10 mm <sup>2</sup> PUSH IN FEED THRU TB YLW	EA	100	200	A	88.40
CP8L32	1.5 mm <sup>2</sup> FEED THRU 8 LVL PUSH IN SP CL TB	EA	10	10	A	541.20
CP8L32(I.S)	1.5mm <sup>2</sup> 8 LVL PUSH IN SP CLMP INT SHRT TB	EA	10	20	A	765.00
CP8L32(I.S)H	1.5mm <sup>2</sup> 8 LVL PUSH IN SP CL INT SHRT HALF	EA	10	20	A	841.50
CP8L32BU	1.5 mm <sup>2</sup> FD TH 8 LVL PUSH IN SP CL TB BLU	EA	10	20	A	595.40
CPAF6	6MM <sup>2</sup> PUSH-IN AUTOMOTIVE FUSE TB	EA	50	50	A	255.00
CPAF6L12V	6MM <sup>2</sup> PUSH-IN AUTOMOTIVE FUSE TB 12V	EA	50	50	A	323.40
CPAF6L24V	6MM <sup>2</sup> PUSH-IN AUTOMOTIVE FUSE TB 24V	EA	50	50	A	323.40
CPDL1.5	1.5mm <sup>2</sup> 2 LEVEL PUSH IN SPRING CLAMP TB	EA	50	100	A	42.10
CPDL1.5(I.S)	1.5mm <sup>2</sup> 2 LEVEL PUSH IN SP CL INT SHRT TB	EA	50	150	A	57.00
CPDL1.5BU	1.5mm <sup>2</sup> 2 LEVEL PUSH IN SPRI CLAMP TB BLU	EA	50	150	A	46.40
CPDL2.5	2.5mm <sup>2</sup> 2 LEVEL PUSH IN SPRING CLAMP TB	EA	50	50	A	47.00
CPDL2.5(I.S)	2.5mm <sup>2</sup> 2 LEVEL PUSH IN INT SHRT SP CL TB	EA	50	150	A	74.10
CPDL2.5BU	2.5mm <sup>2</sup> 2 LEVEL PUSH IN SPRNG CLMP TB BLU	EA	50	150	A	51.70
CPDL4	4MM <sup>2</sup> 2 LEVEL PUSH IN SPRING CLAMP TB	EA	50	100	A	65.60
CPDL4(I.S)	4MM <sup>2</sup> 2 LEVEL PUSH IN SP CL INT SHRT TB	EA	50	100	A	72.70
CPDLF2.5	2.5mm <sup>2</sup> 2 LEVEL PUSH IN SP CL FUSE TB	EA	50	50	A	260.20
CPDLF2.5L110-240V	2.5mm <sup>2</sup> 2LVL PUSH IN SPCL FUSETB 110-240V	EA	50	50	A	307.50
CPDLF2.5L6-60V	2.5mm <sup>2</sup> 2 LVL PUSH IN SP CL FUSE TB 6-60V	EA	50	50	A	307.50
CPDLG1.5	1.5 mm <sup>2</sup> FEED THRU + GND PUSH IN SP CL TB	EA	50	100	A	142.40
CPDLG2.5	2.5 mm <sup>2</sup> FEED THRU + GND PUSH IN SP CL TB	EA	50	100	A	171.50
CPDLG4	4MM <sup>2</sup> 2 LEVEL PUSH IN SPRING CLAMP GND TB	EA	50	100	A	189.60
CPDLG4(I.S)	4MM <sup>2</sup> 2 LVL PUSH IN SP CL INT SHRT GND TB	EA	50	100	A	217.80
CPF4N	4MM <sup>2</sup> PUSH IN FUSE TB	EA	50	50	A	99.80
CPF4NL110-240V	4MM <sup>2</sup> PUSH IN FUSE TB 110-240V	EA	50	50	A	142.50
CPF4NL6-60V	4MM <sup>2</sup> PUSH IN FUSE TB 6-60V	EA	50	50	A	142.50
CPF6	6MM <sup>2</sup> PUSH IN FUSE TB	EA	50	50	A	254.30
CPF6L6-60V	6MM <sup>2</sup> PUSH IN FUSE TB 6-60V	EA	50	50	A	286.00
CPFL110-240V	FUSE PLUG LED 110-240V FR CCC4U/CXCC	EA	50	100	A	83.50
CPFL6-60V	FUSE PLUG LED 6-60V FOR CCC4U/CXCC4	EA	50	100	A	83.50
CPG1.5	1.5 mm <sup>2</sup> PUSH IN GROUND TERMINL	EA	100	100	A	90.80
CPG1.5/3	1.5 mm <sup>2</sup> GND 3 WIRE PUSH IN TB	EA	100	100	A	118.50
CPG1.5/4	1.5 mm <sup>2</sup> GND 4 WIRE PUSH IN TB	EA	100	100	A	147.20
CPG16	16 MM <sup>2</sup> FEED THRU PUSH IN GROUND TB G/Y	EA	50	50	A	369.60
CPG2.5	2.5 mm <sup>2</sup> FEED THRU PUSH IN GROUND TERMINL	EA	100	100	A	96.00
CPG2.5/3	2.5 mm <sup>2</sup> 3 WIRE PUSH IN GND TB	EA	100	100	A	166.00

Part #	Description	UOM	Std. Pack	MOQ	Group	List Price in ₹
CPG2.5/4	2.5 mm <sup>2</sup> GND 4 WIRE PUSH IN TB	EA	100	100	A	169.40
CPG4	4 mm <sup>2</sup> PUSH IN GROUND TERMINAL BLOCK	EA	100	100	A	98.00
CPG4/3	4 mm <sup>2</sup> GND 3 WIRE PUSH IN TB	EA	50	50	A	171.80
CPG4/4	4 mm <sup>2</sup> GND 4 WIRE PUSH IN TB	EA	50	50	A	161.40
CPG6/10	10 mm <sup>2</sup> PUSH IN GROUND TERMINAL BLOCK	EA	100	100	A	225.10
CPG6/10/3	10 mm <sup>2</sup> 3 WIRE PUSH IN GROUND TERMINAL	EA	50	50	A	271.80
CPK2.5	2.5mm <sup>2</sup> 2 WIRE PUSH IN DISCON TB	EA	100	100	A	60.90
CPK2.5BU	2.5mm <sup>2</sup> 2 WIRE PUSH IN DISCON TB BLU	EA	100	200	A	67.00
CPPT2.5/3	2.5 mm <sup>2</sup> 3 WIRE PUSH IN POWER TB	EA	50	50	A	146.30
CPPTG2.5/4	2.5 mm <sup>2</sup> 4 WIRE PUSH IN POWER GND TB	EA	50	100	A	248.50
CPST1.5/3	1.5 mm <sup>2</sup> 3 WIRE PUSH IN SENSOR TB	EA	50	50	A	113.10
CPST1.5/3L6-60V	1.5 mm <sup>2</sup> 3 WIRE PUSH IN SENSOR TB6-60V	EA	50	100	A	132.90
CPST1.5/4	1.5 mm <sup>2</sup> 4 WIRE PUSH IN SENSOR TB	EA	50	50	A	146.30
CPST1.5/4L6-60V	1.5 mm <sup>2</sup> 4 WIRE PUSH IN SENSOR TB6-60V	EA	50	100	A	166.20
CPSTG1.5/4	1.5 mm <sup>2</sup> 4 WIRE PUSH IN SENSOR GND TB	EA	50	50	A	204.60
CPTL2.5	2.5mm <sup>2</sup> 3 LEVEL PUSH IN SPRING CLMP TB	EA	50	50	A	130.10
CPTL2.5(I.S)	2.5mm <sup>2</sup> 3 LVL PUSH IN SPR CL INT SHRT TB	EA	50	100	A	162.00
CPTLG2.5	2.5mm <sup>2</sup> FEED THRU + GND PUSH IN SP CL TB	EA	50	100	A	242.20
CPTLG2.5(I.S)	2.5mm <sup>2</sup> GND INT SHRT PUSH IN TB	EA	50	50	A	274.60
CSB3/N3U	6mm <sup>2</sup> M3 STUD TYP SCREW/NUT DRIVER OPERTD	EA	100	100	B	43.70
CSB3/N3UBK	6mm <sup>2</sup> M3 STUD SCRW/NUT DRVR OPRTD BLK	EA	100	300	B	48.10
CSB3/N3UBU	6mm <sup>2</sup> M3 STUD SCRW/NUT DRVR OPRTD BLU	EA	100	300	B	48.10
CSB3/N3UGN	6mm <sup>2</sup> M3 STUD TYP SCRW/NUT DRIV OPRTD GRN	EA	100	300	B	48.10
CSB3/N3UL	6mm <sup>2</sup> M3 STUD TYP SCREW/NUT DRIVER OPERTD	EA	100	100	B	44.60
CSB3/N3ULBK	6mm <sup>2</sup> M3 STUD TYP SCRW/NUT DRVR OPRTD BLK	EA	100	300	B	49.10
CSB3/N3ULBU	6mm <sup>2</sup> M3 STUD SCRW/NUT DRVR OPRTD BLU	EA	100	300	B	49.10
CSB3/N3ULGN	6mm <sup>2</sup> M3 STUD SCREW/NUT DRIVER OPERTD GRN	EA	100	300	B	49.10
CSB3/N3ULR	6mm <sup>2</sup> M3 STUD TYP SCRW/NUT DRVR OPRTD RED	EA	100	300	B	49.10
CSB3/N3ULY	6mm <sup>2</sup> M3 STUD TYP SCRW/NUT DRVR OPRTD YLW	EA	100	300	B	49.10
CSB3/N3UR	6mm <sup>2</sup> M3 STUD SCRW/NUT DRVR OPRTD RED	EA	100	300	B	48.10
CSB3/N3USH	6mm <sup>2</sup> M3 STUD SHROUD TYP SCRW/NUT DRV OP	EA	100	200	B	56.40
CSB3/N3UY	6mm <sup>2</sup> M3 STU SCRW/NUT DRVR OPRTD YLW	EA	100	300	B	48.10
CSB4/N4UL	10mm <sup>2</sup> M4 STUD SCREW/NUT DRIVER OPERTD	EA	100	100	B	55.90
CSB4/N4UN	10mm <sup>2</sup> M4 STUD SCREW/NUT DRIVER OPERTD	EA	100	100	B	58.40
CSB4/N4USH	10mm <sup>2</sup> M4 STUD SHROUD TYP SCRW/NUT DRV OP	EA	100	100	B	66.20
CSB4/N4USHBK	10mm <sup>2</sup> M4 STD SHR TYP SCRW/NUT DRV OP BLK	EA	100	200	B	72.90
CSB4/N4USHBU	10mm <sup>2</sup> M4 STD SHR TYP SCRW/NUT DRV OP BLU	EA	100	200	B	72.90
CSB4/N4USHR	10mm <sup>2</sup> M4 STD SHR TYP SCRW/NUT DRV OP RED	EA	100	200	B	72.90
CSB4/N4USHY	10mm <sup>2</sup> M4 STD SHR TYP SCRW/NUT DRV OP YLW	EA	100	200	B	72.90
CSB5/N5U	16mm <sup>2</sup> M4 STUD SCREW/NUT DRIVER OPERTD	EA	100	100	B	64.70
CSB5/N5UBK	16mm <sup>2</sup> M4 STUD SCREW/NUT DRIV OPRTD BLK	EA	100	200	B	71.20
CSB5/N5UBU	16mm <sup>2</sup> M4 STUD SCREW/NUT DRIV OPRTD BLU	EA	100	200	B	71.20
CSB5/N5UGN	16mm <sup>2</sup> M4 STUD SCREW/NUT DRIV OPRTD GRN	EA	100	200	B	71.20
CSB5/N5UR	16mm <sup>2</sup> M4 STUD SCREW/NUT DRIV OPRTD RED	EA	100	200	B	71.20
CSB5/N5USH	16mm <sup>2</sup> M5 STUD SHROUD TYP SCRW/NUT DRV OP	EA	100	100	B	74.30
CSB5/N5UY	16mm <sup>2</sup> M4 STUD SCREW/NUT DRIV OPRTD YLW	EA	100	200	B	71.20
CSC16/3T	16 mm <sup>2</sup> FEED THRU SPRING CLAMP 3 WIRE TB	EA	25	50	A	206.30
CSC16T	16 mm <sup>2</sup> FEED THRU SPRING CLAMP TERMINAL	EA	50	50	A	130.20
CSC16TBK	16 mm <sup>2</sup> FEED THRU SPRING CLAMP TB BLACK	EA	50	100	A	143.30
CSC16TBU	16 mm <sup>2</sup> FEED THRU SPRING CLAMP TB BLUE	EA	50	100	A	143.30
CSC16TGN	16 mm <sup>2</sup> FEED THRU SPRING CLAMP TB GREEN	EA	50	100	A	143.30

Part #	Description	UOM	Std. Pack	MOQ	Group	List Price in ₹
CSC16TR	16 mm <sup>2</sup> FEED THRU SPRING CLAMP TB RED	EA	50	100	A	143.30
CSC16TY	16 mm <sup>2</sup> FEED THRU SPRING CLAMP TB YELLOW	EA	50	100	A	143.30
CSCG16/3T	16 mm <sup>2</sup> GND SPRING CLAMP 3 WIRE TB	EA	25	50	A	330.90
CSCG16T	16 mm <sup>2</sup> FEED THRU SP CL GROUNDING TB	EA	50	100	A	317.10
CSCP2.5T	2.5 mm <sup>2</sup> PANEL MOUNT SPRING CL 2 WIRE TB	EA	100	100	A	18.80
CSCP2.5T2	2.5 mm <sup>2</sup> PANEL MOUNT SPRING CL 4 WIRE TB	EA	50	50	A	29.40
CSCP2.5T2BK	2.5 mm <sup>2</sup> PANEL MOUNT SP CL 4 WIRE TB BLK	EA	50	200	A	32.40
CSCP2.5T2BU	2.5 mm <sup>2</sup> PANEL MOUNT SP CL 4 WIRE TB BLU	EA	50	200	A	32.40
CSCP2.5T2GN	2.5 mm <sup>2</sup> PANEL MOUNT SP CL 4 WIRE TB GRN	EA	50	200	A	32.40
CSCP2.5T2R	2.5 mm <sup>2</sup> PANEL MOUNT SP CL 4 WIRE TB RED	EA	50	200	A	32.40
CSCP2.5TBK	2.5 mm <sup>2</sup> PANEL MOUNT SP CL 2 WIRE TB BLK	EA	100	400	A	20.70
CSCP2.5TBU	2.5 mm <sup>2</sup> PANEL MOUNT SP CL 2 WIRE TB BLU	EA	100	400	A	20.70
CSCP2.5TGN	2.5 mm <sup>2</sup> PANEL MOUNT SP CL 2 WIRE TB GRN	EA	100	400	A	20.70
CSCP2.5TR	2.5 mm <sup>2</sup> PANEL MOUNT SP CL 2 WIRE TB RED	EA	100	400	A	20.70
CSCP2.5TY	2.5 mm <sup>2</sup> PANEL MOUNT SP CL 2 WIRE TB YLW	EA	100	400	A	20.70
CSDL4U	4 mm <sup>2</sup> DISCONNECT SCREW CLAMP TERMINAL	EA	100	100	B	88.50
CSE5U	16mm <sup>2</sup> M5 SCRW BARRIER TYP EARTH TERMINAL	EA	100	200	B	78.60
CSN4U	10mm <sup>2</sup> M4 STUD TYP SCREW/NUT DRIVER OPRTD	EA	100	100	B	67.10
CSN5U	16mm <sup>2</sup> M5 STUD TYP SCREW/NUT DRIVER OPRTD	EA	100	100	B	71.90
CSN6	35mm <sup>2</sup> M6 26MM PITCH STUD TYPE TB	EA	50	50	B	93.70
CSP1	MOUNTING SUPPORT FOR CTSPC WITH NUT	EA	100	100	B	26.70
CSP2	MOUNTING SUPPORT PLATE WITH NUT	EA	25	25	B	53.30
CSTSB3	6mm <sup>2</sup> M3 STUD SCREW DRVR OPTD MELAMINE TB	EA	100	100	C	53.10
CSTSB4/N4	10mm <sup>2</sup> M4 STUD SCREW/NUT DRVR OPTD MEL TB	EA	100	100	C	66.90
CSTSB5	16mm <sup>2</sup> M5 STUD SCREW DRVR OPTD MELAMIN TB	EA	100	100	C	79.40
CSTSEP2	END PLATE FOR CSTSN4/N5/B4/B5	EA	50	50	C	12.90
CSTSN4	10mm <sup>2</sup> M4 STUD NUT DRVR OPTD MELAMINE TB	EA	100	100	C	83.00
CSTSN415P	10mm <sup>2</sup> M4(15P) STUD NUT DRVR OPTD MEL TB	EA	100	100	C	80.20
CSTSN4U	10mm <sup>2</sup> M4 STUD NUT DRIVER OPERATED TB	EA	100	100	B	58.50
CSTSN4UBK	10mm <sup>2</sup> M4 STUD NUT DRIVER OPTD TB BLACK	EA	100	300	B	64.40
CSTSN4UBU	10mm <sup>2</sup> M4 STUD NUT DRIVER OPTD TB BLUE	EA	100	300	B	64.40
CSTSN4UGN	10mm <sup>2</sup> M4 STUD NUT DRIVER OPTD TB GREEN	EA	100	300	B	64.40
CSTSN4UR	10mm <sup>2</sup> M4 STUD NUT DRIVER OPTD TB RED	EA	100	300	B	64.40
CSTSN4UY	10mm <sup>2</sup> M4 STUD NUT DRIVER OPTD TB YLW	EA	100	300	B	64.40
CSTSN5	16mm <sup>2</sup> M5 STUD NUT DRVR OPTD MELAMINE TB	EA	100	100	C	86.10
CSTSN515P	16mm <sup>2</sup> M5(15P) STUD NUT DRVR OPTD MEL TB	EA	100	100	C	84.30
CSTSN5U	16mm <sup>2</sup> M5 STUD NUT DRIVER OPERATED TB	EA	100	100	B	64.30
CSTSN5UBK	16mm <sup>2</sup> M5 STUD NUT DRIVER OPTD TB BLACK	EA	100	300	B	70.80
CSTSN5UBU	16mm <sup>2</sup> M5 STUD NUT DRIVER OPTD TB BLUE	EA	100	300	B	70.80
CSTSN5UGN	16mm <sup>2</sup> M5 STUD NUT DRIVER OPTD TB GRN	EA	100	300	B	70.80
CSTSN5UR	16mm <sup>2</sup> M5 STUD NUT DRIVER OPTD TB RED	EA	100	300	B	70.80
CSTSN5UY	16mm <sup>2</sup> M5 STUD NUT DRIVER OPTD TB YELLOW	EA	100	300	B	70.80
CSTSN6	35mm <sup>2</sup> M6 STUD NUT DRVR OPTD MELAMINE TB	EA	100	100	C	120.80
CSTSN6U	35mm <sup>2</sup> M6 STUD NUT DRIVER OPERATED TB	EA	100	100	B	92.20
CSTSN6UBK	35mm <sup>2</sup> M6 STUD NUT DRIVER OPTD TB BLACK	EA	100	200	B	101.50
CSTSN6UBU	35mm <sup>2</sup> M6 STUD NUT DRIVER OPTD TB BLUE	EA	100	200	B	101.50
CSTSN6UE	35mm <sup>2</sup> M6 STUD TYP NUT DRIVER OPRTD	EA	100	100	B	78.20
CSTSN6UGN	35mm <sup>2</sup> M6 STUD NUT DRIVER OPTD TB GREEN	EA	100	200	B	101.50
CSTSN6UR	35mm <sup>2</sup> M6 STUD NUT DRIVER OPTD TB RED	EA	100	200	B	101.50
CSTSN6USH	35mm <sup>2</sup> M6 STUD SHROUD TYP NUT DRIVER OPRT	EA	100	100	B	108.60
CSTSN6USHBK	35mm <sup>2</sup> M6 STUD SHROUD TY NUT DRIV OPR BLK	EA	100	200	B	119.50

Part #	Description	UOM	Std. Pack	MOQ	Group	List Price in ₹
CSTSN6USHBU	35mm <sup>2</sup> M6 STUD SHROUD TY NUT DRIV OPR BLU	EA	100	200	B	119.50
CSTSN6USHR	35mm <sup>2</sup> M6 STUD SHROUD TY NUT DRIV OPR RED	EA	100	200	B	119.50
CSTSN6USHY	35mm <sup>2</sup> M6 STUD SHROUD TY NUT DRIV OPR YLW	EA	100	200	B	119.50
CSTSN6UY	35mm <sup>2</sup> M6 STUD NUT DRIVER OPTD TB YLW	EA	100	200	B	101.50
CSTSPC1	PROTECTIVE COVER FOR 2nos 17mm WIDE TB	EA	100	200	B	20.70
CSTSPC1-1	PROTECTIVE COVER FOR 3nos 17mm WIDE TB	EA	100	200	B	27.00
CSTSPC1-2	PROTECTIVE COVR FR CSTSB3/B4/N4/N5 105mm	EA	50	100	B	69.10
CSTSPC1-3	PROTECTIVE COVR FR CSTSB3/B4/N4/N5 200mm	EA	10	20	B	101.30
CSTSPC1-4	PROTECTIVE COVR FR CSTSB3/B4/N4/N5 300mm	EA	10	20	B	157.90
CSTSPC1-5	PROTECTIVE COVER FOR CSTSB4/N4 100mm	EA	50	100	B	57.70
CSTSPC1-6	PROTECTIVE COVER FOR CSTSB4/N4 200mm	EA	10	20	B	96.50
CSTSPC1-7	PROTECTIVE COVER FOR CSTSB4/N4 300mm	EA	10	20	B	148.60
CSTSPC2	PROTECTIVE COVER FOR 2nos 13mm WIDE TB	EA	100	200	B	20.70
CSTSPC2-1	PROTECTIVE COVER FOR 3nos 13mm WIDE TB	EA	100	200	B	27.00
CSTSPC3	PROTECTIVE COVER FOR 2nos 10mm WIDE TB	EA	100	200	B	18.50
CSTSPC3-1	PROTECTIVE COVER FOR 3nos 10mm WIDE TB	EA	100	200	B	24.30
CSTSPC4	PROTECTIVE COVER FOR 2nos 15mm WIDE TB	EA	100	100	B	22.40
CSTSPC4-1	PROTECTIVE COVER FOR 3nos 15mm WIDE	EA	100	200	B	30.10
CSTSP	PARTITION PLATE FOR CSTSN4/N5/N6	EA	50	50	B	25.50
CSTSREP	END PLATE FR CSTSRN5/RN6	EA	50	50	B	17.80
CSTSRN5	16mm <sup>2</sup> M5 STUD NUT DRVR OPTD MELAMINE TB	EA	50	50	C	110.20
CSTSRN6	35mm <sup>2</sup> M6 STUD NUT DRVR OPTD MELAMINE TB	EA	50	50	C	147.10
CTC4U	4 mm <sup>2</sup> TAB CONNECTION TERMINAL BLOCK	EA	100	100	A	40.00
CTL2.5U	2.5 mm <sup>2</sup> 3 LEVEL SCRWB CLMP TERMINAL BLOCK	EA	50	50	B	106.20
CTL2.5U(I.S)	2.5 mm <sup>2</sup> 3 LEVEL INTR SHRTD SCREW CLMP TB	EA	50	100	B	117.30
CTL2.5UBK	2.5 mm <sup>2</sup> 3 LEVEL SCREW CLAMP TB BLACK	EA	50	100	B	116.90
CTL2.5UBU	2.5 mm <sup>2</sup> 3 LEVEL SCREW CLAMP TB BLUE	EA	50	100	B	116.90
CTL2.5UGN	2.5 mm <sup>2</sup> 3 LEVEL SCREW CLAMP TB GREEN	EA	50	100	B	116.90
CTL2.5UH	2.5 mm <sup>2</sup> 3 LEVEL 4 WIRE SCREW CLAMP TB	EA	50	50	B	60.90
CTLG2.5	2.5 mm <sup>2</sup> 3 LEVEL + GROUND SCREW CLAMP TB	EA	20	20	B	436.30
CTS10	10 mm <sup>2</sup> FEED THRU SCREW CLAMP MELAMINE TB	EA	200	200	C	32.80
CTS10SC	10 mm <sup>2</sup> FD THRU SPRING LOADED MELAMINE TB	EA	100	100	C	70.10
CTS10U	10 mm <sup>2</sup> FD THRU SCREW CLMP TERMINAL BLOCK	EA	100	100	B	26.80
CTS10UBK	10 mm <sup>2</sup> FEED THRU SCREW CLAMP TB BLACK	EA	100	200	B	29.50
CTS10UBR	10.0 SQ FD THRU PA SCR TB BRN	EA	100	500	B	29.50
CTS10UBU	10 mm <sup>2</sup> FEED THRU SCREW CLAMP TB BLUE	EA	100	200	B	29.50
CTS10UGN	10 mm <sup>2</sup> FEED THRU SCREW CLAMP TB GREEN	EA	100	500	B	29.50
CTS10UR	10 mm <sup>2</sup> FEED THRU SCREW CLAMP TB RED	EA	100	200	B	29.50
CTS10UW	10.0 SQ FD THRU PA SCR TB WHT	EA	100	500	B	29.50
CTS10UY	10 mm <sup>2</sup> FEED THRU SCREW CLAMP TB YELLOW	EA	100	500	B	29.50
CTS16	16 mm <sup>2</sup> FEED THRU SCREW CLAMP MELAMINE TB	EA	100	100	C	52.80
CTS16U	16 mm <sup>2</sup> FD THRU SCREW CLMP TERMINAL BLOCK	EA	50	50	B	48.50
CTS16UBK	16 mm <sup>2</sup> FEED THRU SCREW CLAMP TB BLACK	EA	50	50	B	53.40
CTS16UBR	16 mm <sup>2</sup> FEED THRU SCREW CLAMP TB BROWN	EA	50	250	B	53.40
CTS16UBU	16 mm <sup>2</sup> FEED THRU SCREW CLAMP TB BLUE	EA	50	50	B	53.40
CTS16UGN	16 mm <sup>2</sup> FEED THRU SCREW CLAMP TB GREEN	EA	50	50	B	53.40
CTS16UR	16 mm <sup>2</sup> FEED THRU SCREW CLAMP TB RED	EA	50	50	B	53.40
CTS16UW	16 mm <sup>2</sup> FEED THRU SCREW CLAMP TB WHITE	EA	50	250	B	53.40
CTS16UY	16 mm <sup>2</sup> FEED THRU SCREW CLAMP TB YELLOW	EA	50	50	B	53.40
CTS2.5	4 mm <sup>2</sup> FEED THRU SCREW CLAMP MELAMINE TB	EA	200	200	C	20.20
CTS2.5UE	2.5 mm <sup>2</sup> FD THRU SCRWB CLMP TERMINAL BLOCK	EA	100	100	B	14.60

Part #	Description	UOM	Std. Pack	MOQ	Group	List Price in ₹
CTS2.5UEBK	2.5 mm <sup>2</sup> FEED THRU SCREW CLAMP TB BLACK	EA	100	100	B	16.10
CTS2.5UEBU	2.5 mm <sup>2</sup> FEED THRU SCREW CLAMP TB BLUE	EA	100	100	B	16.10
CTS2.5UEGN	2.5 mm <sup>2</sup> FEED THRU SCREW CLAMP TB GREEN	EA	100	100	B	16.10
CTS2.5UEO	2.5 SQ FD THRU PA SCR TB (6MM THICK) ORG	EA	100	500	B	16.10
CTS2.5UER	2.5 mm <sup>2</sup> FEED THRU SCREW CLAMP TB RED	EA	100	100	B	16.10
CTS2.5UEW	2.5 SQ FD THRU PA SCR TB (6MM THICK) WHT	EA	100	500	B	16.10
CTS2.5UEY	2.5 mm <sup>2</sup> FEED THRU SCREW CLAMP TB YELLOW	EA	100	500	B	16.10
CTS2.5UN	2.5 mm <sup>2</sup> FEED THRU SCREW CLAMP TB	EA	100	100	B	12.00
CTS2.5UNBG	2.5 mm <sup>2</sup> FEED THRU SCREW CLAMP TB BEIGE	EA	100	500	B	13.30
CTS2.5UNBK	2.5 mm <sup>2</sup> FEED THRU SCREW CLAMP TB BLACK	EA	100	100	B	13.30
CTS2.5UNBR	2.5 mm <sup>2</sup> FEED THRU SCREW CLAMP TB BROWN	EA	100	500	B	13.30
CTS2.5UNBU	2.5 mm <sup>2</sup> FEED THRU SCREW CLAMP TB BLUE	EA	100	100	B	13.30
CTS2.5UNGN	2.5 mm <sup>2</sup> FEED THRU SCREW CLAMP TB GREEN	EA	100	500	B	13.30
CTS2.5UNO	2.5 SQ FD THRU PA SCR TB ORG	EA	100	500	B	13.30
CTS2.5UNR	2.5 mm <sup>2</sup> FEED THRU SCREW CLAMP TB RED	EA	100	100	B	13.30
CTS2.5UNW	2.5 mm <sup>2</sup> FEED THRU SCREW CLAMP TB WHITE	EA	100	500	B	13.30
CTS2.5UNY	2.5 mm <sup>2</sup> FEED THRU SCREW CLAMP TB YELLOW	EA	100	500	B	13.30
CTS25UN	25 mm <sup>2</sup> FD THRU SCRW CLAMP TERMINAL BLOCK	EA	50	50	B	80.90
CTS25UNBK	25 mm <sup>2</sup> FEED THRU SCREW CLAMP TB BLACK	EA	50	50	B	89.00
CTS25UNBU	25 mm <sup>2</sup> FEED THRU SCREW CLAMP TB BLUE	EA	50	50	B	89.00
CTS25UNGN	25 mm <sup>2</sup> FEED THRU SCREW CLAMP TB GREEN	EA	50	50	B	89.00
CTS25UNR	25 mm <sup>2</sup> FEED THRU SCREW CLAMP TB RED	EA	50	50	B	89.00
CTS25UNY	25 mm <sup>2</sup> FEED THRU SCREW CLAMP TB YELLOW	EA	50	50	B	89.00
CTS35	35 mm <sup>2</sup> FEED THRU SCREW CLAMP MELAMINE TB	EA	50	50	C	146.10
CTS35L	50 mm <sup>2</sup> FEED THRU BOLT/NUT MELAMINE TB	EA	10	10	C	251.70
CTS35LS	50 mm <sup>2</sup> FEED THRU SLTD BOLT MELAMINE TB	EA	10	10	C	255.60
CTS35UN	35 mm <sup>2</sup> FD THRU SCREW CLMP TERMINAL BLOCK	EA	50	50	B	114.50
CTS35UNA	35 mm <sup>2</sup> FEED THRU ALLEN SCREW CL TB	EA	50	50	B	130.50
CTS35UNABK	35 mm <sup>2</sup> FEED THRU ALLEN SCREW CL TB BLK	EA	50	100	B	143.60
CTS35UNABU	35 mm <sup>2</sup> FEED THRU ALLEN SCREW CL TB BLUE	EA	50	100	B	143.60
CTS35UNAGN	35 mm <sup>2</sup> FEED THRU ALLEN SCREW CL TB GRN	EA	50	100	B	143.60
CTS35UNAR	35 mm <sup>2</sup> FEED THRU ALLEN SCREW CL TB RED	EA	50	100	B	143.60
CTS35UNAY	35 mm <sup>2</sup> FEED THRU ALLEN SCREW CL TB YLW	EA	50	100	B	143.60
CTS35UNBK	35 mm <sup>2</sup> FEED THRU SCREW CLAMP TB BLACK	EA	50	100	B	126.00
CTS35UNBU	35 mm <sup>2</sup> FEED THRU SCREW CLAMP TB BLUE	EA	50	100	B	126.00
CTS35UNGN	35 mm <sup>2</sup> FEED THRU SCREW CLAMP GREEN	EA	50	100	B	126.00
CTS35UNR	35 mm <sup>2</sup> FEED THRU SCREW CLAMP TB RED	EA	50	100	B	126.00
CTS35UNY	35 mm <sup>2</sup> FEED THRU SCREW CLAMP TB YELLOW	EA	50	100	B	126.00
CTS4SC	4 mm <sup>2</sup> FD THRU SPRING LOADED MELAMINE TB	EA	200	200	C	39.00
CTS4UN	4 mm <sup>2</sup> FD THRU SCREW CLMP TERMINAL BLOCK	EA	100	100	B	14.80
CTS4UNBG	4 mm <sup>2</sup> FEED THRU SCREW CLAMP TB BEIGE	EA	100	500	B	16.40
CTS4UNBK	4 mm <sup>2</sup> FEED THRU SCREW CLAMP TB BLACK	EA	100	100	B	16.40
CTS4UNBR	4 mm <sup>2</sup> FEED THRU SCREW CLAMP TB BROWN	EA	100	500	B	16.40
CTS4UNBU	4 mm <sup>2</sup> FEED THRU SCREW CLAMP TB BLUE	EA	100	100	B	16.40
CTS4UNGN	4 mm <sup>2</sup> FEED THRU SCREW CLAMP TB GREEN	EA	100	500	B	16.40
CTS4UNO	4 mm <sup>2</sup> FEED THRU SCREW CLAMP TB ORANGE	EA	100	500	B	16.40
CTS4UNR	4 mm <sup>2</sup> FEED THRU SCREW CLAMP TB RED	EA	100	100	B	16.40
CTS4UNW	4.0 SQ FD THRU PA SCR TB WHT	EA	100	500	B	16.40
CTS4UNY	4 mm <sup>2</sup> FEED THRU SCREW CLAMP TB YELLOW	EA	100	500	B	16.40
CTS50/70N	70 mm <sup>2</sup> FEED THRU SCREW CLAMP TERMINAL	EA	20	20	B	319.30
CTS50/70NA	70 mm <sup>2</sup> FEED THRU ALLEN SCREW CL TERMINAL	EA	20	20	B	319.30

Part #	Description	UOM	Std. Pack	MOQ	Group	List Price in ₹
CTS50/70NABK	70 mm <sup>2</sup> FEED THRU ALLEN SCREW CL TB BLK	EA	20	40	B	351.30
CTS50/70NABU	70 mm <sup>2</sup> FEED THRU ALLEN SCREW CL TB BLUE	EA	20	40	B	351.30
CTS50/70NAGN	70 mm <sup>2</sup> FEED THRU ALLEN SCREW CL TB GREEN	EA	20	40	B	351.30
CTS50/70NAR	70 mm <sup>2</sup> FEED THRU ALLEN SCREW CL TB RED	EA	20	40	B	351.30
CTS50/70NAY	70 mm <sup>2</sup> FEED THRU ALLEN SCREW CL TB YLW	EA	20	40	B	351.30
CTS50/70NBK	70 mm <sup>2</sup> FEED THRU SCREW CLAMP TB BLACK	EA	20	40	B	351.30
CTS50/70NBU	70 mm <sup>2</sup> FEED THRU SCREW CLAMP TB BLUE	EA	20	40	B	351.30
CTS50/70NGN	70 mm <sup>2</sup> FEED THRU SCREW CLAMP TB GREEN	EA	20	40	B	351.30
CTS50/70NR	70 mm <sup>2</sup> FEED THRU SCREW CLAMP TB RED	EA	20	40	B	351.30
CTS50/70NY	70 mm <sup>2</sup> FEED THRU SCREW CLAMP TB YELLOW	EA	20	40	B	351.30
CTS6	6 mm <sup>2</sup> FEED THRU SCREW CLAMP MELAMINE TB	EA	200	200	C	24.00
CTS6SC	6 mm <sup>2</sup> FD THRU SPRING LOADED MELAMINE TB	EA	200	200	C	65.60
CTS6U	6 mm <sup>2</sup> FEED THRU SCREW CLAMP TB	EA	100	100	B	21.20
CTS6UBG	6 mm <sup>2</sup> FEED THRU SCREW CLAMP TB BEIGE	EA	100	500	B	23.40
CTS6UBK	6 mm <sup>2</sup> FEED THRU SCREW CLAMP TB BLACK	EA	100	100	B	23.40
CTS6UBR	6 mm <sup>2</sup> FEED THRU SCREW CLAMP TB BROWN	EA	100	500	B	23.40
CTS6UBU	6 mm <sup>2</sup> FEED THRU SCREW CLAMP TB BLUE	EA	100	100	B	23.40
CTS6UGN	6 mm <sup>2</sup> FEED THRU SCREW CLAMP TB GREEN	EA	100	500	B	23.40
CTS6UO	6.0 SQ FD THRU PA SCR TB ORG	EA	100	500	B	23.40
CTS6UR	6 mm <sup>2</sup> FEED THRU SCREW CLAMP TB RED	EA	100	100	B	23.40
CTS6UW	6 mm <sup>2</sup> FEED THRU SCREW CLAMP TB WHITE	EA	100	500	B	23.40
CTS6UY	6 mm <sup>2</sup> FEED THRU SCREW CLAMP TB YELLOW	EA	100	500	B	23.40
CTS70L	70 mm <sup>2</sup> FEED THRU BOLT/NUT MELAMINE TB	EA	10	10	C	411.80
CTS70LS	70 mm <sup>2</sup> FEED THRU SLTD BOLT MELAMINE TB	EA	10	10	C	438.80
CTS95/120N	120 mm <sup>2</sup> FEED THRU SCREW CLAMP TB	EA	10	10	B	531.30
CTS95/120NBK	120 mm <sup>2</sup> FEED THRU SCREW CLAMP TB BLACK	EA	10	20	B	584.50
CTS95/120NBU	120 mm <sup>2</sup> FEED THRU SCREW CLAMP TB BLUE	EA	10	20	B	584.50
CTS95/120NR	120 mm <sup>2</sup> FEED THRU SCREW CLAMP TB RED	EA	10	20	B	584.50
CTS95/120NY	120 mm <sup>2</sup> FEED THRU SCREW CLAMP TB YELLOW	EA	10	20	B	584.50
CTS95L	95 mm <sup>2</sup> FEED THRU BOLT/NUT MELAMINE TB	EA	10	10	C	480.40
CTS95LS	95 mm <sup>2</sup> FEED THRU SLTD BOLT MELAMINE TB	EA	10	10	C	484.50
CTSEP1	END PLATE FOR CTS2.5/6/10	EA	50	50	C	8.90
CTSEP2	END PLATE FOR CTS16	EA	50	50	C	17.80
CTSEP3	END PLATE FOR CTS35	EA	25	25	C	18.90
CTSEP4	PARTITION PLATE FOR CTS35L/70L/95L	EA	10	10	C	48.10
CTSEP4LO	LOCATING SUPPORT FOR CTSEP4/EP4P	EA	10	100	C	10.80
CTSG2.5	2.5MM <sup>2</sup> SCR CLM GROUND TB FR DIN35/7.5&15	EA	50	50	B	101.90
CTSG4	4MM <sup>2</sup> SCRW CLMP GROUND TB FR DIN35/7.5&15	EA	50	50	B	104.00
CTSPC(100MM)	PROT CVR FR CSP1 100MM CTC 60MM WT USLOT	EA	50	100	B	83.80
CTSPC(130MM)	PROT CVR FR CSP1 130MM CTC 90MM WT USLOT	EA	10	20	B	89.20
CTSPC(150MM)	PROT CVR FR CSP1 150MM CTC 110MM WT USLT	EA	10	20	B	106.10
CTSPC(200MM)	PROT CVR FR CSP1 200MM CTC 160MM WT USLT	EA	10	20	B	124.50
CTSPC(300MM)	PROT CVR FR CSP1 300MM CTC 260MM WT USLT	EA	10	20	B	143.00
CTSPC(330MM)	PROT CVR FR CSP1 330MM CTC 290MM WT USLT	EA	10	20	B	191.50
CTSPC(40MM)	PROT CVR FR CSP1 40MM CTC 20MM WTH USLOT	EA	50	100	B	57.70
CTSPC(460MM)	PROT CVR FR CSP1 460MM CTC 420MM WT USLT	EA	10	20	B	219.10
CTSPC(90MM)	PROT CVR FR CSP1 90MM CTC 50MM WTH USLOT	EA	50	100	B	80.00
CTSPC1(760MM)	PROT CVR FR CSP2 760MM CTC 720MM WT USLT	EA	10	20	B	1,114.50
CTSPC2-1	PROTECTIVE COVER FR CTS35L/70L 100mm LNG	EA	10	20	B	143.00
CTSPC2-2	PROTECTIVE COVER FR CTS35L/70L 190mm LNG	EA	10	20	B	233.90
CTSPC3-1	PROTECTIVE COVER FR CTS95L/LS 90mm LONG	EA	10	20	B	139.40

Part #	Description	UOM	Std. Pack	MOQ	Group	List Price in ₹
CTSPC3-2	PROTECTIVE COVER FR CTS35L/70L 210mm LNG	EA	10	20	B	252.80
CTSP1L	PARTITION PLATE FOR CTS2.5/6/10 LONG	EA	50	50	C	19.10
CTSP2	PARTITION PLATE FOR CTS16	EA	50	50	C	31.20
CTSP3	PARTITION PLATE FOR CTS35	EA	25	25	C	36.10
CTT2.5UE	2.5 mm <sup>2</sup> E-TYPE THERMOCOUPLE TERMINAL	EA	50	50	A	150.60
CTT2.5UJ	2.5 mm <sup>2</sup> J-TYPE THERMOCOUPLE TERMINAL	EA	50	50	A	150.60
CTT2.5UK	2.5 mm <sup>2</sup> K-TYPE THERMOCOUPLE TERMINAL	EA	50	50	A	115.00
CTT2.5UT	2.5 mm <sup>2</sup> T-TYPE THERMOCOUPLE TERMINAL	EA	50	50	A	150.60
CX10	10 mm <sup>2</sup> FEED THRU SPRING CLAMP TERMINAL	EA	50	50	A	97.70
CX10/3	10 mm <sup>2</sup> FEED THRU SPRING CLAMP 3 WIRE TB	EA	50	50	A	164.90
CX10/3BU	10 mm <sup>2</sup> FEED THRU SP CLAMP 3 WIRE TB BLUE	EA	50	100	A	181.40
CX10BK	10 mm <sup>2</sup> FEED THRU SPRING CLAMP TB BLACK	EA	50	100	A	107.50
CX10BU	10 mm <sup>2</sup> FEED THRU SPRING CLAMP TB BLUE	EA	50	100	A	107.50
CX10GN	10 mm <sup>2</sup> FEED THRU SPRING CLAMP TB GREEN	EA	50	100	A	107.50
CX10R	10 mm <sup>2</sup> FEED THRU SPRING CLAMP TB RED	EA	50	100	A	107.50
CX10Y	10 mm <sup>2</sup> FEED THRU SPRING CLAMP TB YELLOW	EA	50	100	A	107.50
CX2.5	2.5 mm <sup>2</sup> FEED THRU SPRING CLAMP TERMINAL	EA	100	100	A	14.40
CX2.5/3	2.5 mm <sup>2</sup> FEED THRU SPR CL 3 WIRE TB	EA	100	100	A	34.10
CX2.5/3BK	2.5 mm <sup>2</sup> FEED THRU SP CL 3 WIRE TB BLACK	EA	100	200	A	37.60
CX2.5/3BU	2.5 mm <sup>2</sup> FEED THRU SP CL 3 WIRE TB BLUE	EA	100	200	A	37.60
CX2.5/3GN	2.5 mm <sup>2</sup> FEED THRU SPR CL 3 WIRE TB GREEN	EA	100	200	A	37.60
CX2.5/3R	2.5 mm <sup>2</sup> FEED THRU SP CL 3 WIRE TB RED	EA	100	200	A	37.60
CX2.5/3Y	2.5 mm <sup>2</sup> FEED THRU SP CL 3 WIRE TB YELLOW	EA	100	200	A	37.60
CX2.5/4	2.5 mm <sup>2</sup> FEED THRU SPRING CLAMP 4 WIRE TB	EA	100	100	A	36.20
CX2.5/4BK	2.5 mm <sup>2</sup> FEED THRU SP CL 4 WIRE TB BLACK	EA	100	200	A	39.90
CX2.5/4BU	2.5 mm <sup>2</sup> FEED THRU SP CL 4 WIRE TB BLUE	EA	100	200	A	39.90
CX2.5/4GN	2.5 mm <sup>2</sup> FEED THRU SP CL 4 WIRE TB GREEN	EA	100	200	A	39.90
CX2.5/4O	2.5 mm <sup>2</sup> FEED THRU SP CL 4 WIRE TB ORANGE	EA	100	500	A	39.90
CX2.5/4R	2.5 mm <sup>2</sup> FEED THRU SP CL 4 WIRE TB RED	EA	100	200	A	39.90
CX2.5/4Y	2.5 mm <sup>2</sup> FEED THRU SP CL 4 WIRE TB YELLOW	EA	100	200	A	39.90
CX2.5BK	2.5 mm <sup>2</sup> FEED THRU SPRING CL TB BLK	EA	100	200	A	15.90
CX2.5BR	2.5 mm <sup>2</sup> FEED THRU SP CL TERMINAL BRW	EA	100	500	A	15.90
CX2.5BU	2.5 mm <sup>2</sup> FEED THRU SPRING CLAMP TB BLUE	EA	100	300	A	15.90
CX2.5GN	2.5 mm <sup>2</sup> FEED THRU SP CL TERMINAL GRN	EA	100	300	A	15.90
CX2.5O	2.5 mm <sup>2</sup> FEED THRU SP CL TERMINAL ORG	EA	100	500	A	15.90
CX2.5PN	2.5 mm <sup>2</sup> 1 POLE PLUG SPRING CLAMP TB	EA	50	50	A	37.70
CX2.5PN/10	2.5 mm <sup>2</sup> 10 POLE PLUG SPRING CLAMP TB	EA	25	25	A	376.00
CX2.5PN/12	2.5 mm <sup>2</sup> 12 POLE PLUG SPRING CLAMP TB	EA	10	10	A	451.20
CX2.5PN/13	2.5 mm <sup>2</sup> 13 POLE PLUG SPRING CLAMP TB	EA	10	10	A	488.80
CX2.5PN/15	2.5 mm <sup>2</sup> 15 POLE PLUG SPRING CLAMP TB	EA	10	10	A	564.00
CX2.5PN/2	2.5 mm <sup>2</sup> 2 POLE PLUG SPRING CLAMP TB	EA	50	50	A	75.20
CX2.5PN/3	2.5 mm <sup>2</sup> 3 POLE PLUG SPRING CLAMP TB	EA	50	50	A	112.90
CX2.5PN/4	2.5 mm <sup>2</sup> 4 POLE PLUG SPRING CLAMP TB	EA	50	50	A	150.40
CX2.5PN/5	2.5 mm <sup>2</sup> 5 POLE PLUG SPRING CLAMP TB	EA	50	50	A	188.10
CX2.5PN/6	2.5 mm <sup>2</sup> 6 POLE PLUG SPRING CLAMP TB	EA	25	25	A	225.60
CX2.5PN/8	2.5 mm <sup>2</sup> 8 POLE PLUG SPRING CLAMP TB	EA	20	40	A	300.80
CX2.5R	2.5 mm <sup>2</sup> FEED THRU SPRING CL TB RED	EA	100	300	A	15.90
CX2.5SN	2.5 mm <sup>2</sup> 1 POLE SOCKET SPRING CLAMP TB	EA	50	50	A	41.50
CX2.5SN/10	2.5 mm <sup>2</sup> 10 POLE SOCKET SPRING CLAMP TB	EA	25	25	A	414.80
CX2.5SN/12	2.5 mm <sup>2</sup> 12 POLE SOCKET SPRING CLAMP TB	EA	10	10	A	497.70
CX2.5SN/15	2.5 mm <sup>2</sup> 15 POLE SOCKET SPRING CLAMP TB	EA	10	10	A	622.20

Part #	Description	UOM	Std. Pack	MOQ	Group	List Price in ₹
CX2.5SN/2	2.5 mm <sup>2</sup> 2 POLE SOCKET SPRING CLAMP TB	EA	50	50	A	83.00
CX2.5SN/3	2.5 mm <sup>2</sup> 3 POLE SOCKET SPRING CLAMP TB	EA	50	50	A	124.40
CX2.5SN/4	2.5 mm <sup>2</sup> 4 POLE SOCKET SPRING CLAMP TB	EA	50	50	A	165.90
CX2.5SN/5	2.5 mm <sup>2</sup> 5 POLE SOCKET SPRING CLAMP TB	EA	50	50	A	207.50
CX2.5SN/6	2.5 mm <sup>2</sup> 6 POLE SOCKET SPRING CLAMP TB	EA	25	25	A	248.90
CX2.5SN/7	2.5 mm <sup>2</sup> 7 POLE SOCKET SPRING CLAMP TB	EA	25	25	A	290.40
CX2.5W	2.5 mm <sup>2</sup> FEED THRU SP CL TERMINAL WHT	EA	100	500	A	15.90
CX2.5Y	2.5 mm <sup>2</sup> FEED THRU SPR CL TB YELLOW	EA	100	300	A	15.90
CX35	35 mm <sup>2</sup> FEED THRU SPRING CLAMP TB GRY	EA	15	15	A	435.90
CX35BU	35 mm <sup>2</sup> FEED THRU SPRING CLAMP TB BLU	EA	50	50	A	479.50
CX4	4 mm <sup>2</sup> FEED THRU SPRING CL TERMINAL	EA	100	100	A	24.50
CX4/3	4SQ MM SP CL MODULAR TB (3 WIRE)	EA	50	50	A	46.60
CX4/3BK	4 mm <sup>2</sup> FEED THRU SP CL 3 WIRE TB BLACK	EA	50	200	A	51.30
CX4/3BU	4SQ MM SP CL MODULAR TB (3 WIRE) BLU	EA	50	200	A	51.30
CX4/3GN	4 mm <sup>2</sup> FEED THRU SP CL 3 WIRE TB GRN	EA	50	200	A	51.30
CX4/4	4SQ MM SP CL MODULAR TB (4 WIRE)	EA	50	50	A	54.60
CX4/4BK	4 mm <sup>2</sup> FEED THRU SP CL 4 WIRE TB BLACK	EA	50	200	A	60.10
CX4/4BU	4SQ MM SP CL MODULAR TB (4 WIRE) BLU	EA	50	200	A	60.10
CX4/4O	4 mm <sup>2</sup> FEED THRU SP CL 4 WIRE TB ORANGE	EA	50	300	A	60.10
CX4/4R	4 mm <sup>2</sup> FEED THRU SP CL 4 WIRE TB RED	EA	50	200	A	60.10
CX4BK	4 mm <sup>2</sup> FEED THRU SPRING CL TB BLACK	EA	100	300	A	27.00
CX4BR	4 mm <sup>2</sup> FEED THRU SPRING CL TB BROWN	EA	100	500	A	27.00
CX4BU	4 mm <sup>2</sup> FEED THRU SPRING CLAMP TB BLUE	EA	100	300	A	27.00
CX4GN	4 mm <sup>2</sup> FEED THRU SPRING CL TB GREEN	EA	100	300	A	27.00
CX4O	4 mm <sup>2</sup> FEED THRU SPRING CL TB ORANGE	EA	100	500	A	27.00
CX4R	4 mm <sup>2</sup> FEED THRU SPRING CLAMP TB RED	EA	100	300	A	27.00
CX4Y	4 mm <sup>2</sup> FEED THRU SPRING CL TB YELLOW	EA	100	300	A	27.00
CX6	6 mm <sup>2</sup> FEED THRU SPRING CLAMP TERMINAL	EA	100	100	A	51.50
CX6/3	6 mm <sup>2</sup> FEED THRU SPRING CLAMP 3 WIRE TB	EA	50	50	A	106.10
CX6/3BK	6 mm <sup>2</sup> FEED THRU SP CLMP 3 WIRE TB BLACK	EA	50	100	A	116.80
CX6/3BU	6 mm <sup>2</sup> FEED THRU SP CL 3 WIRE TB BLUE	EA	50	100	A	116.80
CX6/3R	6 mm <sup>2</sup> FEED THRU SP CLMP 3 WIRE TB RED	EA	50	100	A	116.80
CX6/3Y	6 mm <sup>2</sup> FEED THRU SP CLMP 3 WIRE TB YELLOW	EA	50	100	A	116.80
CX6BK	6 mm <sup>2</sup> FEED THRU SPRING CL TB BLACK	EA	100	300	A	56.70
CX6BU	6 mm <sup>2</sup> FEED THRU SPRING CLAMP TB BLUE	EA	100	300	A	56.70
CX6GN	6 mm <sup>2</sup> FEED THRU SPRING CLAMP TB GREEN	EA	100	300	A	56.70
CX6R	6 mm <sup>2</sup> FEED THRU SPRING CLAMP TB RED	EA	100	300	A	56.70
CX6Y	6 mm <sup>2</sup> FEED THRU SPRING CL TB YELLOW	EA	100	300	A	56.70
CXAF4/3	4mm <sup>2</sup> SPRING CLAMP AUTOMOTIVE FUSE 3W TB	EA	50	50	A	248.30
CXAF4/3L24V	4mm <sup>2</sup> SPCL AUTOMOTIVE FUSE 3W TB 24V	EA	50	50	A	305.60
CXCP2.5	2.5mm <sup>2</sup> FD THRU SPCL 2W MICRO TB FR DIN35	EA	100	100	A	17.10
CXDB35/10	1X35mm <sup>2</sup> I/P 4X10mm <sup>2</sup> O/P HYBRID TERMINAL	EA	20	20	A	264.60
CXDB35/10A	1X35mm <sup>2</sup> I/P 4X10mm <sup>2</sup> O/P HYBRID ALLEN TB	EA	20	20	A	278.30
CXDIN	MOUNTING FEET FOR CX2.5P TERMINAL BLOCK	EA	25	25	A	12.50
CXDL2.5	2.5 mm <sup>2</sup> 2 LEVEL SPRING CLAMP TERMINAL	EA	50	50	A	40.20
CXDL2.5(E)DD1	2.5 mm <sup>2</sup> 2 LEVEL SPRING CL DIODE DD1 TB	EA	50	50	A	139.10
CXDL2.5(I.S)	2.5 mm <sup>2</sup> 2 LVL SPRING CLAMP INT SHRTD TB	EA	50	200	A	58.90
CXDL2.5(I.S)BU	2.5 mm <sup>2</sup> 2 LVL SP CL INT SHTD TB BLU	EA	50	200	A	64.80
CXDL2.5BK	2.5 mm <sup>2</sup> 2 LVL SPNG CL TERMINAL BLACK	EA	50	200	A	44.30
CXDL2.5BU	2.5 mm <sup>2</sup> 2 LVL SPRNG CL TERMINAL BLUE	EA	50	200	A	44.30
CXDL2.5R	2.5 mm <sup>2</sup> 2 LVL SPR CL TERMINAL RED	EA	50	200	A	44.30

Part #	Description	UOM	Std. Pack	MOQ	Group	List Price in ₹
CXDL2.5Y	2.5 mm <sup>2</sup> 2 LVL SPR CL TERMINAL YLW	EA	50	200	A	44.30
CXDLG2.5	2.5 mm <sup>2</sup> FEED THRU + GND SPRING CL TB	EA	50	50	A	136.70
CXDLG2.5(I.S)	2.5 mm <sup>2</sup> 2 LEVEL SPRING CL GROUND TB	EA	50	100	A	141.80
CXF4	4mm <sup>2</sup> Ø5X20mm SPRING CLAMP FUSE TB	EA	50	50	A	91.40
CXF4/3	4mm <sup>2</sup> Ø5X20mm SPRING CLAMP FUSE 3 WIRE TB	EA	50	50	A	137.80
CXF4/3L110-240V	4 mm <sup>2</sup> Ø5X20mm SP CL FUSE 3W TB 110-240V	EA	50	50	A	178.80
CXF4/3L6-60V	4 mm <sup>2</sup> Ø5X20mm SP CL FUSE 3 WIRE TB 6-60V	EA	50	50	A	178.80
CXF4BU	4mm <sup>2</sup> Ø5X20mm SPRING CLAMP FUSE TB BLU	EA	50	100	A	100.70
CXF4L110-240V	4mm <sup>2</sup> Ø5X20mm SPR CL FU TB110-240V	EA	50	50	A	121.60
CXF4L110-240VBK	4mm <sup>2</sup> Ø5X20mm SPR CL FU TB110-240V BLACK	EA	50	100	A	133.80
CXF4L110-240VBU	4mm <sup>2</sup> Ø5X20mm SPR CL FU TB110-240V BLUE	EA	50	100	A	133.80
CXF4L110-240VR	4mm <sup>2</sup> Ø5X20mm SPR CL FU TB110-240V RED	EA	50	100	A	133.80
CXF4L110-240VY	4mm <sup>2</sup> Ø5X20mm SPR CL FU TB110-240V YLW	EA	50	100	A	133.80
CXF4L6-60V	4mm <sup>2</sup> Ø5X20mm SPRING CLMP FUSE TB 6-60V	EA	50	50	A	121.60
CXF4L6-60V1A	4mm <sup>2</sup> Ø5X20mm SP CL 1A FUSE TB 6-60V	EA	50	250	A	133.80
CXF4L6-60VBK	4mm <sup>2</sup> Ø5X20mm SPRG CLMP FUSE TB 6-60V BLK	EA	50	100	A	133.80
CXF4L6-60VBU	4mm <sup>2</sup> Ø5X20mm SPRG CLMP FUSE TB 6-60V BLU	EA	50	100	A	133.80
CXF4L6-60VR	4mm <sup>2</sup> Ø5X20mm SPRG CLMP FUSE TB 6-60V RED	EA	50	100	A	133.80
CXF4L6-60VY	4mm <sup>2</sup> Ø5X20mm SPRG CLMP FUSE TB 6-60V YLW	EA	50	100	A	133.80
CXF4Y	4mm <sup>2</sup> Ø5X20mm SPRNG CLMP FUSE TB YLW	EA	50	100	A	100.70
CXG10	10 mm <sup>2</sup> SPRING CLAMP GROUNDING TB	EA	50	50	A	252.00
CXG10/3	10 mm <sup>2</sup> SPRING CLAMP 3 WIRE GROUND TB	EA	50	50	A	272.40
CXG2.5	2.5 mm <sup>2</sup> SPRING CLAMP GROUNDING TB	EA	100	100	A	100.80
CXG2.5/3	2.5 mm <sup>2</sup> SPRING CL 3 WIRE GROUND TB	EA	100	100	A	144.00
CXG2.5/4	2.5 mm <sup>2</sup> SPRING CLAMP 4 WIRE GROUND TB	EA	100	100	A	140.50
CXG35	35 mm <sup>2</sup> SPRG CLMP GND TB GRN YLW	EA	15	15	A	771.80
CXG4	4 mm <sup>2</sup> SPRING CLAMP GROUNDING TB	EA	100	100	A	102.90
CXG4/3	4SQ EARTHING SP CL MOD TB (3 WIRE)	EA	50	50	A	149.30
CXG4/4	4SQ EARTHING SP CL MOD TB (4 WIRE)	EA	50	50	A	161.70
CXG6	6 mm <sup>2</sup> SPRING CLAMP GROUNDING TB	EA	100	100	A	199.50
CXG6/3	6 mm <sup>2</sup> SPRING CLAMP 3 WIRE GROUND TB	EA	50	50	A	219.80
CXK2.5	2.5mm <sup>2</sup> 2 WIRE KNIFE DISCON SPR CL TB	EA	100	100	A	60.90
CXK2.5/4	2.5mm <sup>2</sup> 4 WIRE KNIFE DISCON SPR CL TB	EA	50	50	A	71.40
CXK2.5/4BU	2.5mm <sup>2</sup> 4 WIRE KNIFE DISCON SP CL TB BLUE	EA	50	100	A	78.60
CXK2.5BK	2.5mm <sup>2</sup> 2 WIRE KNIFE DISCON SP CL BLACK	EA	100	200	A	67.00
CXK2.5BU	2.5mm <sup>2</sup> 2 WIRE KNIFE DISCON SP CL BLUE	EA	100	200	A	67.00
CXK2.5R	2.5mm <sup>2</sup> 2 WIRE KNIFE DISCON SP CL RED	EA	100	200	A	67.00
CXK2.5W	2.5mm <sup>2</sup> 2 WIRE KNIFE DISCON SPCL TB WHITE	EA	100	500	A	67.00
CXK2.5Y	2.5mm <sup>2</sup> 2 WIRE KNIFE DISCON SP CL YELLOW	EA	100	200	A	67.00
CXK4	4mm <sup>2</sup> 2 WIRE KNIFE DISCON SPRNG CLMP TB	EA	50	100	A	108.90
CXK4/3	4 mm <sup>2</sup> 3 WIRE KNIFE DISCON SPRNG CLMP TB	EA	50	50	A	180.40
CXK4BU	4mm <sup>2</sup> 2 WIRE KNIFE DISCON SP CLMP TB BLUE	EA	50	150	A	119.80
CXLP2N	LOCKING PIN FOR CX2.5PN / CX2.5SN 2 WAY	EA	10	50	A	22.90
CXLPN	LOCKING PIN FOR CX2.5PN / CX2.5SN	EA	25	25	A	10.80
CXM2.5	2.5mm <sup>2</sup> FEED THRU SP CL TB FR DIN15 RAIL	EA	100	100	A	16.80
CXM2.5BU	2.5MM <sup>2</sup> FEED THRU SP CL TB DIN15 RAIL BLU	EA	100	500	A	18.50
CXM2.5GN	2.5mm <sup>2</sup> FEED THRU SP CL TB DIN15 RAIL GRN	EA	100	500	A	18.50
CXM2.5R	2.5mm <sup>2</sup> FEED THRU SP CL TB DIN15 RAIL RED	EA	100	500	A	18.50
CXMG2.5	2.5mm <sup>2</sup> SP CL GROUND TB FR DIN15 RAIL	EA	100	100	A	68.40
CXPOLN	CODING PIN FOR CX2.5PN / CX2.5PLN	EA	25	25	A	4.70
CXS10	10mm <sup>2</sup> FD THRU SIDE ENTRY SPRG CLMP TB	EA	50	50	A	70.60

Part #	Description	UOM	Std. Pack	MOQ	Group	List Price in ₹
CXS2.5	2.5mm <sup>2</sup> FD THRU SIDE ENTRY SPRING CLMP TB	EA	50	50	A	14.70
CXS2.5BK	2.5mm <sup>2</sup> FD THRU SIDE ENTRY SP CL BLACK	EA	50	200	A	16.20
CXS2.5BU	2.5mm <sup>2</sup> FD THRU SIDE ENTRY SPRING CL BLUE	EA	50	200	A	16.20
CXS2.5GN	2.5mm <sup>2</sup> FD THRU SIDE ENTRY SP CL GREEN	EA	50	200	A	16.20
CXS2.5R	2.5mm <sup>2</sup> FD THRU SIDE ENTRY SP CL RED	EA	50	200	A	16.20
CXS2.5Y	2.5mm <sup>2</sup> FD THRU SIDE ENTRY SP CL YELLOW	EA	50	200	A	16.20
CXS4	4 mm <sup>2</sup> FD THRU SIDE ENTRY SPRING CLMP TB	EA	100	100	A	23.00
CXS4BK	4 mm <sup>2</sup> FD THRU SIDE ENTRY SP CL TB BLK	EA	100	200	A	25.30
CXS4BU	4 mm <sup>2</sup> FD THRU SIDE ENTRY SP CL TB BLU	EA	100	200	A	25.30
CXS4GN	4 mm <sup>2</sup> FD THRU SIDE ENTRY SP CL TB GRN	EA	100	200	A	25.30
CXS4R	4 mm <sup>2</sup> FD THRU SIDE ENTRY SP CL TB RED	EA	100	200	A	25.30
CXS6	6mm <sup>2</sup> FD THRU SIDE ENTRY SPRG CLMP TB	EA	50	50	A	59.30
CXSG10	10 mm <sup>2</sup> SIDE ENTRY SPRING CLAMP GROUND TB	EA	50	50	A	237.90
CXSG2.5	2.5mm <sup>2</sup> SIDE ENTRY SPRING CLAMP GROUND TB	EA	50	50	A	111.30
CXSG4	4 mm <sup>2</sup> SIDE ENTRY SPRING CLAMP GROUND TB	EA	100	100	A	134.40
CXSG6	6 mm <sup>2</sup> SIDE ENTRY SPRING CLAMP GROUND TB	EA	50	50	A	184.80
CXSR2N	2W STRAIN RELIEF PLATE CX2.5PN / CX2.5SN	EA	25	25	A	14.30
CXVF2.5A	6mm <sup>2</sup> I/P 2X2.5mm <sup>2</sup> O/P Ø5X20mm FUSE SPCLTB	EA	50	50	A	282.70
CXVFA	6 mm <sup>2</sup> Ø5X20mm FUSE SPRING CLAMP TB	EA	50	50	A	266.40
CXVFAL24V	6mm <sup>2</sup> Ø5X20mm FUSE SPRING CLAMP TB 24V	EA	50	100	A	346.30
CY10	10 mm <sup>2</sup> FEED THRU SCREW CLAMP TERMINAL	EA	50	50	A	31.10
CY10BU	10 mm <sup>2</sup> FEED THRU SCREW CLAMP TB BLU	EA	50	250	A	34.30
CY16	16 SQ.MM FEED THROUGH TERMINAL BLOCK	EA	50	50	A	60.30
CY2.5	2.5 mm <sup>2</sup> FEED THRU SCREW CLAMP TERMINAL	EA	100	100	A	14.70
CY2.5BU	2.5 mm <sup>2</sup> FEED THRU SCREW CLAMP TB BLU	EA	100	500	A	16.20
CY4	4 mm <sup>2</sup> FEED THRU SCREW CLAMP TERMINAL	EA	100	100	A	17.70
CY4/3	4 mm <sup>2</sup> FEED THRU SCREW CLAMP 3 WIRE TB	EA	50	250	A	41.90
CY4/4	4 mm <sup>2</sup> FEED THRU SCREW CLAMP 4 WIRE TB	EA	50	250	A	58.70
CY4BU	4 mm <sup>2</sup> FEED THRU SCREW CLAMP TB BLU	EA	100	500	A	19.50
CY6	6 mm <sup>2</sup> FEED THRU SCREW CLAMP TERMINAL	EA	100	100	A	23.60
CY6BU	6 mm <sup>2</sup> FEED THRU SCREW CLAMP TB BLU	EA	100	300	A	26.00
CYDL2.5	2.5mm <sup>2</sup> 2 LEVEL FD THRU SCREW CLMP TB	EA	50	50	A	47.90
CYDL2.5(I.S)	2.5mm <sup>2</sup> 2 LEVEL FD THRU SC CL INT SHRT TB	EA	50	250	A	69.50
CYDL2.5BU	2.5mm <sup>2</sup> 2 LEVEL FD THRU SCREW CLMP TB BLU	EA	50	250	A	52.70
CYDL4	4mm <sup>2</sup> 2 LEVEL FD THRU SCREW CLMP TB	EA	50	50	A	52.00
CYDL4(I.S)	4mm <sup>2</sup> 2 LVL FD THRU SC CL INT SHRT TB	EA	50	150	A	68.80
CYDLF4	4mm <sup>2</sup> 2 LEVEL Ø5X20mm SCREW CL FUSE TB	EA	50	50	A	154.50
CYDLF4L110-240V	4mm <sup>2</sup> Ø5X20mm FUSE SC CL TB LED 110-240V	EA	50	100	A	209.10
CYDLF4L6-60V	4mm <sup>2</sup> Ø5X20mm FUSE SC CL TB LED 6-60V	EA	50	50	A	209.10
CYDLG2.5	2.5mm <sup>2</sup> 2 LEVEL FD THRU SCRW CLMP GND TB	EA	50	100	A	167.50
CYDLG4	4mm <sup>2</sup> 2 LEVEL FD THRU SCRW CLMP GND TB	EA	50	100	A	174.30
CYF4	4mm <sup>2</sup> Ø5X20mm FUSE 6mm WIDE TERMINAL BLOCK	EA	50	50	A	73.50
CYF4BU	4mm <sup>2</sup> Ø5X20mm FUSE 6mm WIDE TB BLU	EA	50	100	A	80.90
CYF4L6-60V	4mm <sup>2</sup> Ø5X20mm FUSE SC CL TB LED 6-60V	EA	50	100	A	107.90
CYG10	10 mm <sup>2</sup> SCREW CLAMP GROUND TERMINAL	EA	50	50	A	162.80
CYG16	16 SQ.MM GROUND TERMINAL BLOCK	EA	50	50	A	188.80
CYG2.5	2.5 mm <sup>2</sup> SCREW CLAMP GROUNDING TB	EA	100	100	A	107.10
CYG4	4 mm <sup>2</sup> SCREW CLAMP GROUNDING TB	EA	100	100	A	111.10
CYG4/3	4 mm <sup>2</sup> FEED THRU SP CL 3 WIRE GROUND TB	EA	50	50	A	168.20
CYG4/4	4 mm <sup>2</sup> FEED THRU SP CL 4 WIRE GROUND TB	EA	50	50	A	186.20
CYG6	6 mm <sup>2</sup> SCREW CLAMP GROUNDING TB	EA	100	100	A	133.70

Part #	Description	UOM	Std. Pack	MOQ	Group	List Price in ₹
CYK2.5	2.5 mm <sup>2</sup> 2 WIRE KNIFE DISCON SCREW CL TB	EA	100	100	A	48.30
CYK4	4 mm <sup>2</sup> 2 WIRE KNIFE DISCON SCREW CL TB	EA	50	50	A	58.20
CYK4BU	4 mm <sup>2</sup> 2 WIRE KNIFE DISCON SCRW CL TB BLU	EA	50	200	A	64.10
CYTLF2.5	2.5MM <sup>2</sup> 3 LEVEL FD THRU SCRW CLMP FUSE TB	EA	50	50	A	220.80
CYTLF2.5L110-240V	2.5MM <sup>2</sup> 3 LVL SC CL FUSE TB LED 110-240V	EA	50	50	A	286.90
CYTLF2.5L6-60V	2.5MM <sup>2</sup> 3 LVL SC CL FUSE TB LED 6-60V	EA	50	50	A	287.00
DB16	16 MM <sup>2</sup> 76AMP DISTRIBUTION BLOCK TB	EA	10	10	B	399.20
DB16BK	16 MM <sup>2</sup> 76AMP DISTRIBUTION BLOCK TB BLK	EA	10	20	B	439.20
DB16BU	16 MM <sup>2</sup> 76AMP DISTRIBUTION BLOCK TB BLU	EA	10	20	B	439.20
DB16GN	16 MM <sup>2</sup> 76AMP DISTRIBUTION BLOCK TB GRN	EA	10	20	B	439.20
DB16R	16 MM <sup>2</sup> 76AMP DISTRIBUTION BLOCK TB RED	EA	10	20	B	439.20
DB16Y	16 MM <sup>2</sup> 76AMP DISTRIBUTION BLOCK TB YLW	EA	10	20	B	439.20
DB35	35 MM <sup>2</sup> 125AMP DISTRIBUTION BLOCK TB	EA	10	10	B	576.20
DB35BK	35 MM <sup>2</sup> 125AMP DISTRIBUTION BLOCK TB BLK	EA	10	20	B	632.70
DB35BU	35 MM <sup>2</sup> 125AMP DISTRIBUTION BLOCK TB BLU	EA	10	20	B	632.70
DB35GN	35 MM <sup>2</sup> 125AMP DISTRIBUTION BLOCK TB GRN	EA	10	20	B	632.70
DB35R	35 MM <sup>2</sup> 125AMP DISTRIBUTION BLOCK TB RED	EA	10	20	B	632.70
DB35Y	35 MM <sup>2</sup> 125AMP DISTRIBUTION BLOCK TB YLW	EA	10	20	B	632.70
DDFL4	4mm <sup>2</sup> 2 LEVEL SW CL FUSE TB	EA	20	20	B	123.50
DDFL4L110-240V	4mm <sup>2</sup> 2 LEVEL SW CL FUSE 110-240V TB	EA	20	40	B	141.20
DDFL4L6-60V	4mm <sup>2</sup> 2 LEVEL SW CL FUSE 6-60V TB	EA	20	20	B	141.20
DDFL4U	4 mm <sup>2</sup> 2 LEVEL Ø5X20mm 6.3A SW CL FUSE TB	EA	20	20	B	146.10
DDFL4U0.5A	4mm <sup>2</sup> 2 LVL Ø5X20mm 0.5A SW CL FUSE	EA	20	40	B	146.10
DDFL4U1A	4mm <sup>2</sup> 2 LVL Ø5X20mm 1A SW CL FUSE	EA	20	40	B	146.10
DDFL4UBK	4 mm <sup>2</sup> 2 LVL Ø5X20mm 6.3A SW CL FUSE BLK	EA	20	40	B	160.60
DDFL4UBU	4 mm <sup>2</sup> 2 LVL Ø5X20mm 6.3A SW CL FUSE BLU	EA	20	40	B	160.60
DDFL4UE110-240RPWF	4mm <sup>2</sup> 2 LVL SW CL REV PRNT 110-240V FU TB	EA	20	40	B	160.60
DDFL4UE110-240V	4 mm <sup>2</sup> 2 LVL Ø5X20mm 6.3A FUSE 110-240V	EA	20	40	B	176.50
DDFL4UE220V	4 mm <sup>2</sup> 2 LVL Ø5X20mm 6.3A SW CL FUSE 220V	EA	20	40	B	180.90
DDFL4UE220VW/F	4 mm <sup>2</sup> 2 LVL Ø5X20mm SCREW CL FUSE 220V	EA	20	40	B	171.90
DDFL4UE24V	4 mm <sup>2</sup> 2 LVL Ø5X20mm 6.3A SW CL FUSE 24V	EA	20	40	B	180.90
DDFL4UE24VW/F	4 mm <sup>2</sup> 2 LVL Ø5X20mm SCREW CL FUSE 24V	EA	20	20	B	171.90
DDFL4UE6-60V	4 mm <sup>2</sup> 2 LVL Ø5X20mm 6.3A SW CL FUS 6-60V	EA	20	40	B	176.50
DDFL4UW/F	4 mm <sup>2</sup> 2 LEVEL Ø5X20mm SCREW CL FUSE TB	EA	20	20	B	137.40
DDFL4UY	4 mm <sup>2</sup> 2 LVL Ø5X20mm 6.3A SW CL FUSE YLW	EA	20	40	B	160.60
ECAP35/15	CA701-35/15 DIN RAIL CAP	EA	100	100	A	14.60
ECAP35/7.5	CA701-35/7.5 DIN RAIL CAP	EA	100	100	A	11.40
EP1ODL2.5	SPACER PLATE FOR ODL2.5	EA	50	50	B	7.80
EP1ODL4U	END PLATE FOR ODL4U	EA	50	50	B	9.20
EP2.5/4UN	END PLATE FOR CTS2.5UN/4UN	EA	50	50	B	7.80
EP2.5/4UNBG	END PLT FR 2.5UN/4UN BGE	EA	50	500	B	8.60
EP2.5/4UNBK	END PLT FR 2.5UN/4UN BLK	EA	50	250	B	8.60
EP2.5/4UNBR	END PLT FR 2.5UN/4UN BRN	EA	50	500	B	8.60
EP2.5/4UNBU	END PLATE FOR CTS2.5UN/4UN BLUE	EA	50	250	B	8.60
EP2.5/4UNGN	END PLT FR 2.5UN/4UN GRN	EA	50	250	B	8.60
EP2.5/4UNO	END PLT FR 2.5UN/4UN ORG	EA	50	500	B	8.60
EP2.5/4UNR	END PLT FR 2.5UN/4UN RED	EA	50	250	B	8.60
EP2.5/4UNW	END PLT FR 2.5UN/4UN WHT	EA	50	500	B	8.60
EP2.5/4UNY	END PLT FR 2.5UN/4UN YLW	EA	50	250	B	8.60
EP4P	PARTITION PLATE FOR CTS35L/70L/95L	EA	10	10	C	45.20
EP6/10U	END PLATE FOR CTS6U/10U	EA	50	50	B	8.50

Part #	Description	UOM	Std. Pack	MOQ	Group	List Price in ₹
EP6/10UBK	END PLT FR CTS6U/10U BLK	EA	50	250	B	9.30
EP6/10UBR	END PLT FR CTS6U/10U BRN	EA	50	500	B	9.30
EP6/10UBU	END PLATE FOR CTS6U/10U BLUE	EA	50	250	B	9.30
EP6/10UGN	END PLT FR CTS6U/10U GRN	EA	50	250	B	9.30
EP6/10UR	END PLT FR CTS6U/10U RED	EA	50	250	B	9.30
EP6/10UW	END PLT FR CTS6U/10U WHT	EA	50	2500	B	9.30
EP6/10UY	END PLT FR CTS6U/10U YLW	EA	50	250	B	9.30
EPAS2.5	END PLATE FOR AS2.5 SERIES	EA	50	50	A	11.40
EPAS2.5BU	PA END PLT FR AS2.5 BLU	EA	50	250	A	12.50
EPAS2.5O	END PLATE FOR AS2.5 ORANGE SERIES	EA	50	2500	A	12.50
EPAS4	END PLATE FOR AS4 SERIES	EA	50	50	A	13.10
EPAS4BU	END PLATE FOR AS4 BLUE SERIES	EA	50	250	A	14.40
EPAS6	END PLATE FOR AS6 SERIES	EA	50	50	A	19.30
EPCAF4U	END PLATE FOR CAFL4U	EA	50	50	B	15.90
EPCBDT4UN	END PLATE FOR CBDT4UN	EA	50	50	B	18.30
EPCBS3U	END PLATE FOR CBS & CSB SERIES TB	EA	50	50	B	12.20
EPCDL4U	END PLATE FOR CDL4U	EA	50	50	B	17.50
EPCDL4UN	END PLATE FOR CDL4UN	EA	50	50	B	14.50
EPCDL4UNBK	END PLT FR CDL4UN BLK	EA	50	250	B	16.80
EPCDL4UNBU	END PLATE FOR CDL4UN BLUE	EA	50	250	B	16.80
EPCDL4UNR	END PLT FR CDL4UN RED	EA	50	250	B	16.80
EPCDLG2.5	END PLATE FOR CDLG2.5	EA	50	50	B	26.30
EPCDS6U	END PLATE FOR CDS6U	EA	50	50	B	15.90
EPCDTTU	END PLATE FOR CDTTU	EA	50	50	B	20.00
EPCDTTUBK	END PLT FR CDTTU BLK	EA	50	250	B	22.00
EPCGT4UY	END PLATE FOR CGT4U YELLOW	EA	50	250	B	13.90
EPCKT4U	END PLATE FOR CKT4U	EA	50	50	B	13.10
EPCKT4U/4	END PLATE FOR CKT4U/4	EA	50	50	B	19.90
EPCKT4UBK	END PLT FR CKT4U BLK	EA	50	250	B	14.50
EPCM1.5S	END PLATE FOR CM1.5S/S2	EA	50	50	A	4.90
EPCM2.5S	END PLATE FOR CM2.5S/S2	EA	50	50	A	5.30
EPCM2.5SR	END PLATE FOR CM2.5S/S2 RED	EA	50	250	A	5.80
EPCM4S	END PLATE FOR CM4S/S2	EA	50	50	A	8.50
EPCMB4	END PLATE FOR CMB4	EA	50	50	B	9.60
EPCMB4BU	END PLT FR CMB4 BLU	EA	50	250	B	12.00
EPCMB4R	END PLT FR CMB4 RED	EA	50	250	B	12.00
EPCMC1-2	END PLATE FOR CMC1-2	EA	50	50	B	14.80
EPCMC2-2	END PLATE FOR CMC2-2	EA	50	50	B	19.90
EPCMDT4	END PLATE FOR CMDT4	EA	50	50	C	19.70
EPCMS2.5	END PLATE FOR CMS2.5	EA	50	50	A	7.70
EPCMT10	END PLATE FOR CMT10	EA	50	50	A	10.60
EPCMT4	END PLATE FOR CMT4	EA	50	50	B	8.10
EPCP1.5	END PLATE FOR CP1.5	EA	50	50	A	7.30
EPCP1.5/3	END PLATE FOR CP1.5/3	EA	50	50	A	9.20
EPCP1.5/4	END PLATE FOR CP1.5/4	EA	50	50	A	11.40
EPCP16	END PLATE FOR CP16	EA	50	50	A	19.30
EPCPDL1.5	END PLATE FOR CPDL1.5	EA	50	50	A	13.90
EPCPDL4	END PLATE FOR CPDL4	EA	50	50	A	23.80
EPCPDLK2.5	END PLATE FOR CPDLK2.5	EA	50	50	A	31.30
EPCPPT2.5/3	END PLATE FOR CPPT2.5/3	EA	50	50	A	43.10
EPCPPT2.5/4	END PLATE FOR CPPT2.5/4 GRY	EA	50	50	A	51.90

Part #	Description	UOM	Std. Pack	MOQ	Group	List Price in ₹
EPCPTL2.5	END PLATE FOR EPCPTL2.5	EA	50	50	A	34.60
EPCSC16/3T	END PLATE FOR CSC16/3T	EA	50	50	A	26.00
EPCSC16T	END PLATE FOR CSC16T	EA	50	50	A	18.30
EPCSC16TBU	END PLT FR CSC16T BLU	EA	50	50	A	20.00
EPCSCP2.5T	END PLATE FOR CSCP2.5T	EA	50	50	A	10.60
EPCSF4U	END PLATE FOR CSFL4U	EA	50	50	B	14.80
EPCSTSB4/N4	END PLATE FOR CSTSB4/N4	EA	50	50	C	12.30
EPCSTSU	END PLATE FOR CSTSN4/N5U	EA	50	50	B	13.10
EPCSTSUBU	END PLT FR CSTSN4/N5U BLU	EA	50	250	B	14.50
EPCTC4U	END PLATE FOR CTC4U	EA	50	50	A	11.50
EPCTL2.5U	END PLATE FOR CTL2.5U	EA	50	50	B	19.90
EPCTL2.5UBK	END PLT FR CTL2.5U BLK	EA	50	250	B	21.90
EPCTL2.5UH	END PLATE FOR CTL2.5UH	EA	50	50	B	14.80
EPCTLG2.5	END PLATE FOR CTLG2.5	EA	50	50	B	38.60
EPCX10	END PLATE FOR CX10 & CXG10	EA	50	50	A	11.20
EPCX10/3	END PLATE FOR CX10/3 & CXG10/3	EA	20	20	A	13.90
EPCX10BK	END PLATE FOR CX10 & CXG10 BLK	EA	50	250	A	12.30
EPCX10BU	END PLATE FOR CX10 & CXG10 BLU	EA	50	250	A	12.30
EPCX10GN	END PLATE FOR CX10 & CXG10 GRN	EA	50	250	A	12.30
EPCX10R	END PLATE FOR CX10 & CXG10 RED	EA	50	250	A	15.30
EPCX2.5	END PLATE FOR CX2.5/CXG2.5	EA	50	50	A	7.70
EPCX2.5/3	END PLATE FOR CX2.5/3 & CXG2.5/3	EA	50	50	A	9.60
EPCX2.5/3BU	END PLATE FOR CX2.5/3 & CXG2.5/3 BLUE	EA	50	250	A	10.40
EPCX2.5/3RL	END PLATE 2.5MM THICK FOR RAILWAY	EA	50	250	A	12.70
EPCX2.5/4	END PLATE FOR CX2.5/4&CXG2.5/4&CXG2.5/4	EA	50	50	A	10.00
EPCX2.5/4/2B	END PLATE FOR CX2.5/4/2B	EA	50	100	A	17.50
EPCX2.5/4BU	END PLATE FOR CX2.5/4&CXG2.5/4 BLUE	EA	50	250	A	10.90
EPCX2.5/4O	END PLATE FOR CX2.5/4 ORANGE	EA	50	500	A	10.90
EPCX2.5/4RL	END PLATE 2.5MM THICK FOR RAILWAY	EA	50	250	A	15.70
EPCX2.5BK	END PLATE FOR CX2.5/CXG2.5 BLACK	EA	50	250	A	8.40
EPCX2.5BU	END PLATE FOR CX2.5/CXG2.5 BLUE	EA	50	250	A	8.40
EPCX2.5O	END PLATE FOR CX2.5 AND CXG2.5 ORANGE	EA	50	2500	A	8.40
EPCX2.5SN	END PLATE FOR CX2.5SN	EA	50	50	A	7.90
EPCX4	END PLATE FOR CX4 & CXG4	EA	50	50	A	9.20
EPCX4/3	END PLATE FOR CX4/3 & CXG4/3	EA	50	50	A	11.50
EPCX4/4	END PLATE FOR CX4/4 & CXG4/4	EA	50	50	A	13.70
EPCX4BK	END PLATE FOR CX4 & CXG4 BLACK	EA	50	250	A	10.00
EPCX4BU	END PLATE FOR CX4 & CXG4 BLU	EA	50	250	A	10.00
EPCX4R	END PLATE FOR CX4 & CXG4 RED	EA	50	250	A	10.60
EPCX6	END PLATE FOR CX6 & CXG6	EA	50	50	A	11.00
EPCX6/3	END PLATE FOR CX6/3 & CXG6/3	EA	50	50	A	13.10
EPCX6BU	END PLATE FOR CX6 & CXG6 BLU	EA	50	250	A	12.70
EPCX6R	END PLATE FOR CX6 & CXG6 RED	EA	50	250	A	12.70
EPCXCP2.5/4	END PLATE FOR CXCP2.5/4	EA	50	50	A	12.00
EPCXDL2.5	END PLATE FOR CXDL2.5 SERIES	EA	50	50	A	13.90
EPCXDL2.5/3	END PLATE FOR CXDL2.5/3 SERIES	EA	50	50	A	20.40
EPCXM2.5	END PLATE FOR CXM2.5	EA	50	50	A	7.80
EPCXS10	END PLATE FOR CXS10 & CXSG10	EA	50	50	B	14.30
EPCXS2.5	END PLATE FOR CXS2.5 & CXS4	EA	50	50	A	6.50
EPCXS2.5O	END PLATE FOR CXS2.5 ORG	EA	50	500	A	7.10
EPCXS6	END PLATE FOR EPCXS6	EA	50	50	B	14.10

Part #	Description	UOM	Std. Pack	MOQ	Group	List Price in ₹
EPCY2.5/10	END PLATE FOR CY2.5/4/6/10 CYG2.5/4/6/10	EA	50	50	A	9.70
EPCY4/3	END PLATE FOR CY4/3 & CYG4/3	EA	50	50	A	17.50
EPCY4/4	END PLATE FOR CY4/4 & CYG4/4	EA	50	50	A	24.40
EPCYDL2.5/4	END PLATE FOR CYDL2.5 & CYDL4	EA	50	50	A	16.20
EPDDL4	END PLATE FOR DDFL4	EA	50	50	B	20.00
EPDDL4U	END PLATE FOR DDFL4U	EA	50	50	B	20.00
EPDDL4UBU	END PLT FR DDFL4U BLU	EA	50	250	B	22.00
EPG2.5/4	END PLATE FOR CTSG2.5; CTSG4 GRN	EA	50	50	B	7.80
EPODL2.5	END PLATE FOR ODL2.5	EA	50	50	B	19.30
EPODL4U	END PLATE FOR ODL4U(FS)	EA	50	50	B	22.70
EPSTH3	END PLATE FOR STH3	EA	50	50	B	12.20
EPSTH4	END PLATE FOR STH4	EA	50	50	B	13.00
EPSTH4DT	END PLATE FOR STH4DT	EA	50	50	B	19.30
EPSTH6	END PLATE FOR STH6	EA	50	50	B	17.50
EPUSC	END PLT FR CTS4USC/6USC/10USC/CHV SERIES	EA	50	200	B	16.60
GMH1	GROUP MARKER HOLDER MOUNTED ON CA602	EA	100	100	B	10.40
GMH2	GROUP MARKER HOLDER MOUNTED ON CA702	EA	100	100	B	10.40
GMH3	GROUP MARKER HOLDER MOUNTED ON CA702	EA	100	100	B	10.40
GMH4	GROUP MARKER HOLDER MOUNTED ON CA802	EA	100	100	B	10.40
GMH5	GROUP MARKER HOLDER MOUNTED ON CA702	EA	100	100	B	10.40
GMH6	GROUP MARKR HOLDR MOUNTD ON DIN RAILS	EA	50	50	B	21.40
GMH7	GROUP MARKR HOLDR MOUNTD ON DIN RAILS	EA	50	50	B	32.50
GMH8	GROUP MARKER HOLDER MOUNTED ON CA103	EA	100	100	B	20.70
GMH8N	GROUP MARKER HOLDER MOUNTED ON CA103-6mm	EA	100	100	B	19.30
GMH9	GROUP MARKER HOLDER MOUNTED ON CA103/104	EA	100	100	B	26.10
JT2.5/10	10 WAY SHRT LINK ASSLY FOR CTS2.5UN	EA	10	10	B	93.40
JT2.5/2	2 WAY SHRT LINK ASSLY FOR CTS2.5UN	EA	100	100	B	18.90
JT2.5/3	3 WAY SHRT LINK ASSLY FOR CTS2.5UN	EA	50	50	B	28.10
JT2.5/4	4 WAY SHRT LINK ASSLY FOR CTS2.5UN	EA	50	50	B	37.50
JT4/10	10 WAY SHRT LINK ASSLY FOR CTS4UN	EA	10	10	B	96.60
JT4/2	2 WAY SHRT LINK ASSLY FOR CTS4UN	EA	100	100	B	19.40
JT4/3	3 WAY SHRT LINK ASSLY FOR CTS4UN	EA	100	100	B	29.00
JT4/4	4 WAY SHRT LINK ASSLY FOR CTS4UN	EA	100	100	B	39.30
JX1.5/10	10 POLE SHRT LNK FR 3.5MM WIDE SP CL TB	EA	10	10	A	101.00
JX1.5/2	2 POLE SHRT LNK FR 3.5MM WIDE SP CL TB	EA	100	100	A	12.50
JX1.5/3	3 POLE SHRT LNK FR 3.5MM WIDE SP CL TB	EA	50	100	A	21.80
JX1.5/4	4 POLE SHRT LNK FR 3.5MM WIDE SP CL TB	EA	50	100	A	39.40
JX10/2	2 POLE SHRT LNK FR 10MM WIDE SP CL TB	EA	10	10	A	49.80
JX2.5/10	10 POLE SHRT LNK FR 5MM WIDE SP CL TB	EA	10	10	A	102.00
JX2.5/2	2 POLE SHRT LNK FR 5MM WIDE SP CL TB	EA	100	100	A	13.30
JX2.5/3	3 POLE SHRT LNK FR 5MM WIDE SP CL TB	EA	50	50	A	23.00
JX2.5/4	4 POLE SHRT LNK FR 5MM WIDE SP CL TB	EA	50	50	A	39.40
JX2.5/5	5 POLE SHRT LNK FR 5MM WIDE SP CL TB	EA	50	50	A	58.80
JX2.5/6	6 POLE SHRT LNK FR 5MM WIDE SP CL TB	EA	10	20	A	72.60
JX2.5/7	7 POLE SHRT LNK FR 5MM WIDE SP CL TB	EA	10	20	A	78.40
JX2.5/8	8 POLE SHRT LNK FR 5MM WIDE SP CL TB	EA	10	20	A	88.30
JX4/10	10 POLE SHRT LNK FR 6MM WIDE SP CL TB	EA	10	10	A	136.10
JX4/16	16 POLE SHRT LNK FR 6MM WIDE SP CL TB	EA	10	10	A	213.80
JX4/2	2 POLE SHRT LNK FR 6MM WIDE SP CL TB	EA	100	100	A	22.60
JX4/3	3 POLE SHRT LNK FR 6MM WIDE SP CL TB	EA	50	50	A	38.80
JX4/4	4 POLE SHRT LNK FR 6MM WIDE SP CL TB	EA	50	50	A	58.40

Part #	Description	UOM	Std. Pack	MOQ	Group	List Price in ₹
JX4/5	5 POLE SHRT LNK FR 6MM WIDE SP CL TB	EA	50	50	A	77.80
JX4/8	8 POLE SHRT LNK FR 6MM WIDE SP CL TB	EA	10	10	A	97.10
JX6/10	10 POLE SHRT LNK FR 8MM WIDE SP CL TB	EA	10	10	A	194.20
JX6/2	2 POLE SHRT LNK FR 8MM WIDE SP CL TB	EA	100	100	A	34.20
JX6/3	3 POLE SHRT LNK FR 8MM WIDE SP CL TB	EA	50	50	A	58.40
JX6/4	4 POLE SHRT LNK FR 8MM WIDE SP CL TB	EA	50	50	A	81.70
JX6/5	5 POLE SHRT LNK FR 8MM WIDE SP CL TB	EA	50	50	A	94.90
JXS10/2.5	2P STEP DOWN INSU SHRT LNK FR CX10 CX2.5	EA	10	10	A	91.60
JXS10/4	2P STEP DOWN INSU SHRT LNK FR CX10 & CX4	EA	10	10	A	91.60
JXS10/6	2P STEP DOWN INSU SHRT LNK FR CX10 & CX6	EA	10	10	A	93.40
JXS6/2.5	2P STEP DOWN INSU SHRT LNK FR CX6 CX2.5	EA	50	50	A	91.60
JXS6/4	2P STEP DOWN INSU SHRT LNK FR CX6 & CX4	EA	50	50	A	91.60
JY10/2	2 POLE INSULATED SHORTING LINK FOR CY10	EA	10	10	A	49.80
JY16/2	2 POLE INSULATED SHORTING LINK FOR CY	EA	10	10	A	94.70
JY6/10	10 POLE INSULATED SHORTING LINK FOR CY6	EA	10	10	A	195.40
JY6/2	2 POLE INSULATED SHORTING LINK FOR CY6	EA	100	100	A	34.20
JYS10/2.5	2P STEP DWN INS SHRT LNK FR CY10 & CY2.5	EA	10	10	A	91.60
LCCDS	LOCK OUT CAP FOR CDS6U	EA	50	50	A	10.00
MC10	MARKER CARD 10 MM PITCH WITH 42 TAGS	PKT	1	1	B	633.30
MC10WP	PRNTD MARKER CARD 10 MM PITCH 42 TAGS	PKT	1	1	B	735.10
MC12	MARKER CARD 12 MM PITCH WITH 36 TAGS	PKT	1	1	B	651.90
MC12WP	PRNTD MARKER CARD 12 MM PITCH 36 TAGS	PKT	1	1	B	747.60
MC16	MARKER CARD 16 MM PITCH WITH 24 TAGS	PKT	1	1	B	515.30
MC16WP	PRNTD MARKER CARD 16 MM PITCH 24 TAGS	PKT	1	1	B	602.30
MC2	MARKER CARD 6 MM PITCH WITH 72 TAGS	PKT	1	1	B	866.80
MC2B4	MARKER CARD 6 MM PITCH WITH 72 TAGS	PKT	1	1	B	866.80
MC2B4WP	PRNTD MARKER CARD 6 MM PITCH 72 TAGS	PKT	1	1	B	1,000.80
MC2WP	PRNTD MARKER CARD 6 MM PITCH 72 TAGS	PKT	1	1	B	1,000.80
MC3.5	MARKER CARD 3.5 MM PITCH WITH 120 TAGS	PKT	1	1	B	1,247.90
MC3.5WP	PRNTD MARKER CARD 3.5MM PITCH 120 TAGS	PKT	1	1	B	1,441.60
MC4	MARKER CARD 5 MM PITCH WITH 84 TAGS	PKT	1	1	B	1,014.50
MC4WP	PRNTD MARKER CARD 5MM PITCH 84 TAGS	PKT	1	1	B	1,174.70
MC5	MARKER CARD 5 MM PITCH WITH 84 TAGS	PKT	1	1	B	1,014.50
MC5WP	PRNTD MARKER CARD 5 MM PITCH 84 TAGS	PKT	1	1	B	1,174.70
MC6	MARKER CARD 6 MM PITCH WITH 72 TAGS	PKT	1	1	B	866.80
MC6WP	PRNTD MARKER CARD 6 MM PITCH 72 TAGS	PKT	1	1	B	1,000.80
MC8	MARKER CARD 8 MM PITCH WITH 48 TAGS	PKT	1	1	B	660.60
MC8WP	PRNTD MARKER CARD 8 MM PITCH 48 TAGS	PKT	1	1	B	767.40
MC9	MARKER CARD 9 MM PITCH WITH 42 TAGS	PKT	1	1	B	633.30
MC9WP	PRNTD MARKER CARD 9 MM PITCH 42 TAGS	PKT	1	1	B	735.10
MHPTB70/95	MARKER HOLDER FOR PTB70/95	EA	50	50	B	13.40
MS3.5WHT	MS3.5 100 MT HOR PRINT MARKER BLANK	PKT	1	1	A	104.00
MS3.5WP	MS3.5 100 MT HOR PRINTED MARKERS WHT	PKT	1	1	A	118.80
MS5WHT	5 MM WIDE MARKER (STRIP) BLANK	PKT	1	1	A	104.00
MS5WP	5 MM WIDE MARKER (STRIP) PRINTED	PKT	1	1	A	118.80
NEB10	COPPER BUS BAR 10X3mm 1METER LONG	EA	10	10	A	1,480.00
NEB6	COPPER BUS BAR 6X6mm 1METER LONG	EA	10	10	A	1,480.00
NES	PLASTIC SUPPORT FOR NEB	EA	50	50	B	16.20
NESCC	END BRACKET AND SUPPORT FOR NEB BUSBAR	EA	10	10	B	320.40
ODL2.5	2.5 mm <sup>2</sup> OFFSET 2 LVL SW CL TB	EA	50	50	B	42.30
ODL2.5(I.S)	2.5mm <sup>2</sup> 2 LVL OFFSET INT SHRT SW CL TB	EA	50	100	B	56.50

Part #	Description	UOM	Std. Pack	MOQ	Group	List Price in ₹
ODL2.5A	2.5 mm <sup>2</sup> MODULAR OFFSET 2 LVL SW CL TB	EA	50	100	B	41.10
ODL2.5A(I.S)	2.5mm <sup>2</sup> MODULR OFFSET 2L INT SHRT SWCL TB	EA	50	100	B	52.70
ODL4U	4 mm <sup>2</sup> FEED THRU OFFSET 2 LEVEL SW CL TB	EA	50	50	B	42.20
ODL4UA	4 mm <sup>2</sup> FEED THRU OFFSET 2LVL STACKABLE TB	EA	50	100	B	47.40
ODL4UBU	4 mm <sup>2</sup> FEED THRU OFFSET 2LVL SW CL TB BLU	EA	50	100	B	46.50
ODLG2.5	2.5mm <sup>2</sup> 2 LVL OFFSET GND SW CL TB	EA	50	50	B	148.10
ODLG2.5(I.S)	2.5mm <sup>2</sup> OFFSET 2L INT SHRT GND SW CL TB	EA	50	50	B	156.70
ODLG2.5A	2.5mm <sup>2</sup> MODULAR OFFSET 2 LVL GND SW CL TB	EA	50	100	B	139.20
ODLG2.5A(I.S)	2.5mm <sup>2</sup> MODULAR OFFSET 2L INT SHRT GND TB	EA	50	50	B	160.40
PDB120	120 mm <sup>2</sup> 250 AMP DISTRIBUTION BLOCK	EA	10	10	B	3,501.90
PDB185	185 mm <sup>2</sup> 400 AMP DISTRIBUTION BLOCK	EA	1	1	B	4,006.20
PDB70	70 mm <sup>2</sup> 160 AMP DISTRIBUTION BLOCK	EA	1	1	B	2,395.30
PP2.5/4UN	PARTITION PLATE FOR CTS2.5UN/4UN/2.5UE	EA	50	50	B	15.30
PP2.5/4UNBU	PART PLT FR 2.5UN/4UN BLU	EA	50	250	B	16.70
PP25UN	PARTITION PLATE FOR CTS25UN	EA	50	50	B	20.40
PP35UN	PARTITION PLATE FOR CTS35UN	EA	50	50	B	22.60
PP6/10U	PARTITION PLATE FOR CTS6U/10U	EA	50	50	B	18.90
PP6/10UBU	PART PL FR CTS6U/10U BLU	EA	50	250	B	20.80
PPCBB	PARTITION PLATE FOR CBB35/50 /CBB70	EA	10	10	B	42.30
PPCBB1	PARTITION PLATE FOR CBB95/120/150/185	EA	10	10	B	48.90
PPCMT4	PARTITION PLATE FOR CMT4	EA	50	50	B	10.30
PPCX10	PARTITION PLATE FOR CX10	EA	20	20	A	16.40
PPCX4	PARTITION PLATE FOR CX4	EA	50	50	A	11.50
PPCX4/3	PARTITION PLATE FOR CX4/3	EA	50	50	A	14.30
PPCX4/4	PARTITION PLATE FOR CX4/4	EA	50	50	A	18.90
PPCY2.5/10	PARTITION PLATE FOR CY2.5/4/6/10	EA	50	50	A	17.80
PSPTB35/50	PROTECTIVE SHROUD FOR PTB35/50	EA	20	40	B	24.30
PSPTB70/95	PROTECTIVE SHROUD FR PTB70/95	EA	20	40	B	37.10
PTB120/150	150 mm <sup>2</sup> FT BARRIER TYPE BOLT TB	EA	5	5	B	737.10
PTB120/150SH	150 mm <sup>2</sup> FT BARRIER TYPE SHROUDED BOLT TB	EA	5	10	B	798.00
PTB120/150SHGN	150 mm <sup>2</sup> FT BARRIER TYPE SHRD BOLT TB GRN	EA	5	20	B	877.80
PTB185/240	240 mm <sup>2</sup> FEED THRU BARRIER TYPE BOLT TB	EA	2	2	B	1,125.70
PTB185/240SH	240 mm <sup>2</sup> FT BARRIER TYPE SHROUDED BOLT TB	EA	2	2	B	1,260.00
PTB300	300 mm <sup>2</sup> FEED THRU BARRIER TYPE BOLT TB	EA	2	2	B	1,575.00
PTB300SH	300 mm <sup>2</sup> FT BARRIER TYPE SHROUDED BOLT TB	EA	2	2	B	1,627.50
PTB35/50	50 mm <sup>2</sup> FEED THRU BARRIER TYPE BOLT TB	EA	10	10	B	278.10
PTB35/50BU	50 mm <sup>2</sup> FEED THRU BARRIER TYP BOLT TB BLU	EA	10	50	B	306.00
PTB35/50R	50 mm <sup>2</sup> FEED THRU BARRIER TYP BOLT TB RED	EA	10	50	B	306.00
PTB35/50SH	50 mm <sup>2</sup> FT BARRIER TYPE SHROUDED BOLT TB	EA	10	10	B	314.30
PTB35/50SHBK	50 mm <sup>2</sup> BARRIER TYPE SHROUD BOLT TB BLK	EA	10	50	B	345.80
PTB35/50SHBU	50 mm <sup>2</sup> BARRIER TYPE SHROUD BOLT TB BLU	EA	10	50	B	345.80
PTB35/50SHGN	50 mm <sup>2</sup> BARRIER TYPE SHROUD BOLT TB GREEN	EA	10	50	B	345.80
PTB35/50SHR	50 mm <sup>2</sup> BARRIER TYPE SHROUD BOLT TB RED	EA	10	50	B	345.80
PTB35/50SHY	50 mm <sup>2</sup> BARRIER TYPE SHROUD BOLT TB YLW	EA	10	50	B	345.80
PTB35/50Y	50 mm <sup>2</sup> FEED THRU BARRIER TYP BOLT TB YLW	EA	10	50	B	306.00
PTB70/95	95 mm <sup>2</sup> FEED THRU BARRIER TYPE BOLT TB	EA	10	10	B	402.30
PTB70/95BK	95 mm <sup>2</sup> FEED THRU BARRIER TYP BOLT TB BLK	EA	10	40	B	442.60
PTB70/95BU	95 mm <sup>2</sup> FEED THRU BARRIER TYP BOLT TB BLU	EA	10	40	B	442.60
PTB70/95R	95 mm <sup>2</sup> FEED THRU BARRIER TYP BOLT TB RED	EA	10	40	B	442.60
PTB70/95SH	95 mm <sup>2</sup> FT BARRIER TYPE SHROUDED BOLT TB	EA	10	10	B	484.10
PTB70/95SHBK	95 mm <sup>2</sup> BARRIER TYPE SHROUD BOLT TB BLK	EA	10	40	B	532.60

Part #	Description	UOM	Std. Pack	MOQ	Group	List Price in ₹
PTB70/95SHBU	95 mm <sup>2</sup> BARRIER TYPE SHROUD BOLT TB BLU	EA	10	40	B	532.60
PTB70/95SHR	95 mm <sup>2</sup> BARRIER TYPE SHROUD BOLT TB RED	EA	10	40	B	532.60
PTB70/95SHY	95 mm <sup>2</sup> BARRIER TYPE SHROUD BOLT TB YLW	EA	10	40	B	532.60
PTB70/95Y	95 mm <sup>2</sup> FEED THRU BARRIER TYP BOLT TB YLW	EA	10	40	B	442.60
QJ11/2	2P BANANA PLUG FOR STH4DT	EA	25	50	B	158.20
QJ11/3	3P BANANA PLUG FOR STH4DT	EA	25	50	B	264.10
QJ11/4	4P BANANA PLUG FOR STH4DT / STH4DTSH	EA	25	50	B	316.20
QJ8/2	2P BANANA PLUG FOR CDS6U/CDTTU SERIES	EA	25	50	B	151.20
SLS2	2POLE CT SHORTING LINK FOR CDS6U SERIES	EA	50	50	B	41.00
SLS3	3POLE CT SHORTING LINK FOR CDS6U SERIES	EA	25	50	B	61.30
SLS4	4POLE CT SHORTING LINK FOR CDS6U SERIES	EA	25	50	B	81.70
SP2.5/4UN	SEPARATOR PLATE FOR CTS2.5UN/4UN	EA	100	100	B	5.90
SP6/10U	SEPARATOR PLATE FOR CTS6U/10U/16U	EA	100	100	B	5.90
SPCDL4U	SEP PLT FR CDL4U GRY	EA	100	100	B	6.00
SPCMB4	SEPARATOR PLATE FOR CMB4	EA	50	50	B	6.60
SPCP4L16	SEPARATOR PLATE FOR CP4L16	EA	10	10	A	37.30
SPCP8L32	SEPARATOR PLATE FOR CP8L32	EA	10	10	A	76.40
STH3	6 mm <sup>2</sup> M3 CAPTIVE NUT STUD TYPE TERMINAL	EA	100	100	B	54.90
STH3BK	6 mm <sup>2</sup> M3 CAPTIV NUT STUD TYPE TB BLK	EA	100	300	B	60.40
STH3BU	6 mm <sup>2</sup> M3 CAPTIV NUT STUD TYP TB BLU	EA	100	300	B	60.40
STH3GN	6 mm <sup>2</sup> M3 CAPTIV NUT STD TYPE TB GRN	EA	100	300	B	60.40
STH3R	6 mm <sup>2</sup> M3 CAPTIV NUT STUD TYPE TB RED	EA	100	300	B	60.40
STH3Y	6 mm <sup>2</sup> M3 CAPTIV NUT STD TYPE TB YLW	EA	100	300	B	60.40
STH4	6 mm <sup>2</sup> M4 CAPTIVE NUT STUD TYPE TERMINAL	EA	50	50	B	67.60
STH4BK	6 mm <sup>2</sup> M4 CAPTIVE NUT STUD TYPE TB BLACK	EA	50	150	B	74.40
STH4DT	6 mm <sup>2</sup> DISCONNECT CAPTIVE NUT STUD TYP TB	EA	50	50	B	110.30
STH4DTBK	6 mm <sup>2</sup> DISCON CAPTIVE NUT STUD TYP TB BLK	EA	50	250	B	121.40
STH4DTBU	6 mm <sup>2</sup> DISCON CAPTIVE NUT STUD TYP TB BLU	EA	50	250	B	121.40
STH4DTFT	6 mm <sup>2</sup> M4 FD THRU CAPTVE NUT STUD TYPE TB	EA	50	100	B	105.70
STH4DTFTBU	6SQ FD THRU (HINGE)TB BLU WTH STH4DT PRO	EA	50	250	B	116.30
STH4DTGN	6 mm <sup>2</sup> DISCON CAPTIVE NUT STUD TYP TB GRN	EA	50	250	B	123.60
STH4DTR	6 mm <sup>2</sup> DISCON CAPTIVE NUT STUD TYP TB RED	EA	50	250	B	121.40
STH4DTSH	6 mm <sup>2</sup> DISCON CAPTIVE NUT INT SHRTD TB	EA	24	24	B	237.20
STH4DTTP	6 mm <sup>2</sup> DISCON TEST SOCKET NUT STUD TYP TB	EA	50	250	B	129.70
STH4DTY	6 mm <sup>2</sup> DISCON CAPTIVE NUT STUD TYP TB YLW	EA	50	250	B	121.40
STH4GN	6 mm <sup>2</sup> M4 CAPTIVE NUT STUD TYPE TB GREEN	EA	50	150	B	74.40
STH4TP	HINGE TYPE PA STUD TB GRY WTH TP	EA	50	150	B	79.20
STH5	16 mm <sup>2</sup> M5 STUD TB WITH CAPTIVE NUTS	EA	50	150	B	121.00
STH6	35 mm <sup>2</sup> M6 CAPTIVE NUT STUD TYPE TB	EA	50	50	B	159.60
STH6BK	35 mm <sup>2</sup> M6 CAPTIV NUT STUD TYP TB BLK	EA	50	150	B	175.60
STH6BU	35 mm <sup>2</sup> M6 CAPTIV NUT STUD TYP TB BLU	EA	50	150	B	175.60
STH6R	35 mm <sup>2</sup> M6 CAPTIV NUT STUD TYP TB RED	EA	50	150	B	175.60
STH6Y	35 mm <sup>2</sup> M6 CAPTIV NUT STUD TYP TB YLW	EA	50	150	B	175.60
SWCBDT	SWITCHABLE LINK ASSEMBLY FOR CBDT4U	EA	50	100	B	44.40
SWCDS	SWITCHABLE LINK ASSEMBLY FOR CDS6U	EA	50	100	B	37.70
SWL16	WARNING LABEL FR SPRING CL 12mm WIDE	PKT	1	1	A	1,009.40
SWL4	WARNING LABEL FR SCREW CLMP WIDE TB	PKT	1	1	B	1,009.40
TPSLS	INSULATED TEST SOCKT FR CDS6U SERIES	EA	50	50	B	27.90
TPSLSBK	INSULATED TEST SOCKT FR CDS6U SERIES BLK	EA	50	100	B	31.60
TPSLSBU	INSULATED TEST SOCKT FR CDS6U SERIES BLU	EA	50	100	B	31.60
TPSLSGN	INSULATED TEST SOCKT FR CDS6U SERIES GRN	EA	50	100	B	31.60

Part #	Description	UOM	Std. Pack	MOQ	Group	List Price in ₹
TPSLSR	INSULATED TEST SOCKT FR CDS6U SERIES RED	EA	50	100	B	31.60
TPSLSY	INSULATED TEST SOCKT FR CDS6U SERIES YLW	EA	50	100	B	31.60
TX2.5	2.5mm <sup>2</sup> TEST PLUG FOR CX2.5	EA	20	20	A	74.30
WLX10	PA FINGRSAFE COVR FITS CX10	PKT	1	2	A	817.20
WLX2.5	PA FINGRSAFE COVR FITS CSC2.5T/CX2.5	PKT	1	1	A	646.00
WLX4	PA FINGRSAFE COVR FITS CX4	PKT	1	2	A	807.60

**Terms & Conditions:**

Price	Ex Works Dombivli, excluding freight, taxes etc.
Packing & Forwarding	Included in the prices
GST	Extra as applicable at the time of despatch
Freight	To be borne by the customer
Insurance	Goods will be dispatched duly insured
Shortage / Loss in Transit	Shortage, damage or loss in transit, if any, should be intimated to us within 24 hours of the time of receipt of consignment. Necessary certificate from the transporter / railways should be forwarded to us.
Place of Jurisdiction	Mumbai, India
Note	Standard Colour for Polyamide 66 Terminal Blocks is Grey. Standard Colour for Melamine Terminal Blocks is Khaki. Pre Assembled Terminal Block as per customer's drawing complete with marking tags, interconnecting and mounting accessories can be supplied on quote basis. This price list supersedes all our earlier price lists and is subject to revision without prior intimation.

MKT/8.2/05

---

Notes

A series of 20 horizontal light blue lines for writing notes.

**connectwell**

INNOVATING FOR A  
CONNECTED FUTURE

**CONNECTWELL INDUSTRIES PVT. LTD.**  
B4, Phase 2, MIDC, Dombivli - 421 204, India

connect@connectwell.com  
+91 251 7120 600 / 6762 600



connectwell.com



LinkedIn